

VIZU

EXTREME X10 Action Cam

USER MANUAL

EN



Content

| | | |
|----------|---|-----------|
| 1 | Intended use | 3 |
| 2 | Safety | 4 |
| 2.1 | Labels in this manual | 4 |
| 2.2 | General safety instructions | 4 |
| 3 | Preparations for use | 7 |
| 3.1 | Unpacking | 7 |
| 3.2 | Package contents | 8 |
| 3.3 | Main components | 9 |
| 3.4 | Placing the screenprotector | 9 |
| 3.5 | Charging the battery | 10 |
| 4 | Usage | 11 |
| 4.1 | Memory Card: Placement and access | 11 |
| 4.2 | Using the on/off button | 11 |
| 4.3 | Main menu | 12 |
| 4.4 | Play | 14 |
| 4.5 | Settings | 14 |
| 4.6 | Remove the battery | 21 |
| 4.7 | Connecting the GoLive Cam app | 22 |
| 4.8 | Connecting a USB to a computer | 22 |
| 4.9 | Make an HDMI connection. | 22 |
| 5 | Mount the camera | 23 |
| 5.1 | Attach to wristband | 23 |
| 5.2 | Mount the camera on a smooth surface | 23 |
| 5.3 | Mount the camera on the helmet | 24 |
| 5.4 | Mount the camera on your bike | 25 |
| 6 | Cleaning and maintenance | 26 |
| 7 | Technical specifications | 27 |
| 8 | Disposal of used electric and electronic equipment | 28 |

1 Intended use




The Extreme X10 is an actioncam with which you can make pictures and video's. Use the delivered accessoires by example to attach the Extreme X10 on your bike, helmet and belt. The device is intended for consumer use, not for professional use.

The Extreme X10 is waterproof without using a waterproof case.

⚠ Due to the wide variety of products with USB ports, mobile devices and their manufacturer-specific functions we cannot guarantee that all devices will be recognized or all operating options can function.








2 Safety

2.1 Labels in this manual

-  **WARNING** A warning means that injury is possible if the instructions are not obeyed.
-  **CAUTION** A caution means that damage to the equipment is possible.
-  A note gives additional information, e.g. for a procedure.

2.2 General safety instructions

General

-  To prevent damage or malfunctions: Please take time and read the general safety instructions. This will avoid fire, explosions, electric shocks or other hazards that may result in damage to property and/or severe or fatal injuries.
-  The manufacturer is not liable for cases of material damage or personal injury caused by incorrect handling or non compliance with the safety instructions. In such cases, the warranty will be voided.
-  Do not operate the device during driving.
-  Always check that the mains voltage corresponds to the voltage on the rating plate.
-  Only use original accessories from the manufacturer.
-  Never leave children unattended with the packaging material. The packaging material represents a danger of suffocation. Children frequently underestimate the danger. Always keep children away from the packaging material.
-  It is not permitted to open the product yourself or to have it opened, neither is it permitted to repair the product yourself or to have it repaired. This will void the warranties. Please let any maintenance be carried out by certified maintenance personnel.

- ⚠ Clean the outside of the appliance with a soft cloth. When the appliance is very dirty, dampen the cloth slightly with water and a neutral solution.
- ⚠ Do not put the appliance near a heat source. This could damage the appliance.
- ⚠ Do not expose the appliance to direct sunlight.
- ⚠ If your product runs on batteries: Incorrect installation can cause battery leakage and corrosion which will damage the appliance. Corrosion, oxidation, battery leakage and any other gradually acidic defect of this nature will invalidate the guarantee.
- ⚠ Check the product, cable and (if applicable) adapter for any damage before use. If there is any visible damage, a strong odour, or excessive overheating of components, unplug the product.
- ⚠ The camera contains sensitive components, including the battery. Avoid exposing your camera and battery to very cold or very hot temperatures. Low or high temperature conditions may temporarily shorten the battery life or cause the camera to temporarily stop working properly. Avoid dramatic changes in temperature or humidity when using the camera, as condensation may form on or within the camera.
- ⚠ Do not dry the camera or battery with an external heat source such as a microwave oven or hair dryer.

Remarks

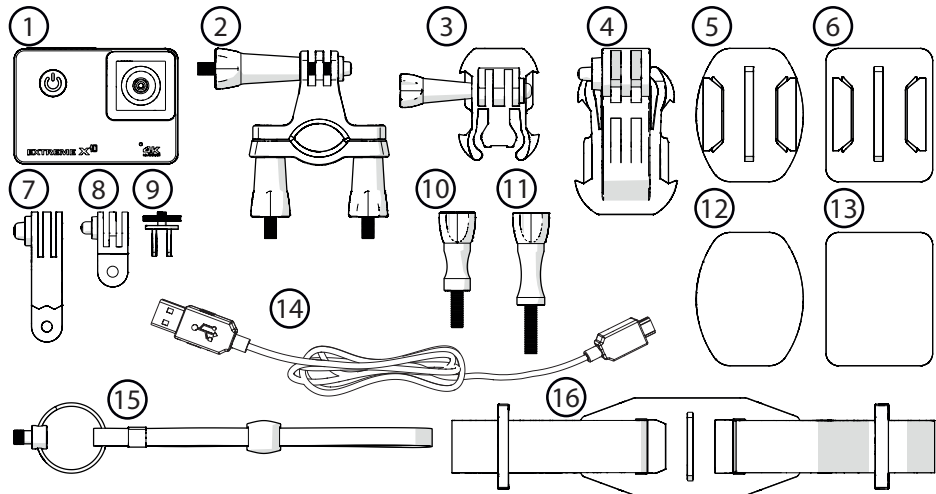
- ⚠ If this appliance is equipped with rubber feet to prevent it from moving: The feet are made from non-migrating material specially formulated to avoid leaving any marks or stains on furniture. However, certain types of furniture polishes, wood preservatives or cleaning sprays cause the rubber to soften and leave marks or a residue on the furniture, and potentially risk the surface to become damaged. To prevent damage to wooden surfaces, we recommend that you apply self-adhesive pads to the bottom of the rubber feet before installation.
- ⚠ We recommend that you retain the original carton and packaging materials in case it ever becomes necessary to return your product for service. This is the only way to safely protect the product against damage in transit. If you do dispose of the carton and the packaging materials, please remember to recycle with due care to the environment.

3 Preparations for use

3.1 Unpacking

- Unpack the appliance carefully.
- Check the package contents as described below. If any item is missing, please contact your reseller.
- We recommend that you retain the original carton and packaging materials in case it ever becomes necessary to return your product for service. This is the only way to safely protect the product against damage in transit. If you do dispose of the carton and the packaging materials, please remember to recycle with due care to the environment.

3.2 Package contents

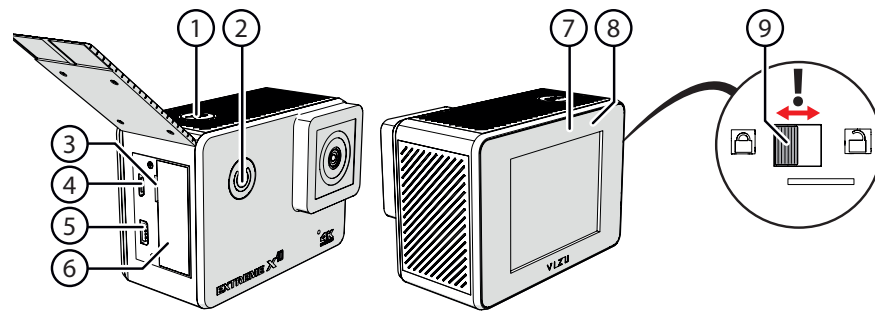


The following items are included in the received package:

| No. | Component |
|-----|--------------------|
| 1 | Action camera |
| 2 | Bicycle bracket |
| 3 | Pedestal 1 |
| 4 | Pedestal 2 |
| 5 | Pedestal 3 |
| 6 | Pedestal 4 |
| 7 | Switch support 1 |
| 8 | Switch support 2 |
| 9 | Switch support 3 |
| 10 | Locking pin 1 |
| 11 | Locking pin 2 |
| 12 | 3M sticker 1 |
| 13 | 3M sticker 2 |
| 14 | Micro USB cable |
| 15 | Wristband |
| 16 | Helmet strap mount |

i If any item is missing, please contact your reseller.

3.3 Main components



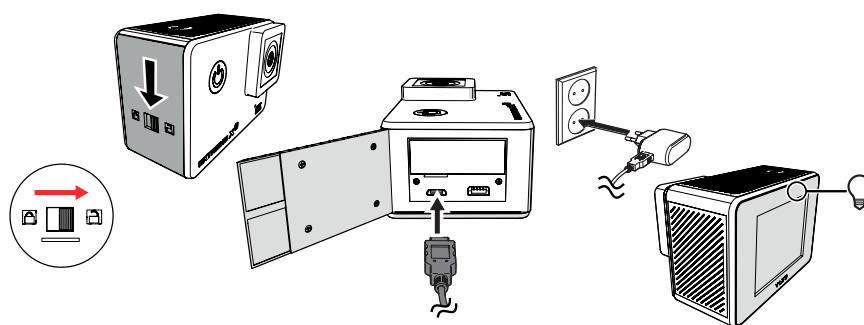
- 1 OK
- 2 POWER / MODE
- 3 Micro SD
- 4 Micro USB
- 5 HDMI
- 6 Battery
- 7 On/off indicator
- 8 Charge indicator
- 9 Battery door lock

3.4 Placing the screenprotector

1. Clean the display.
2. Remove the protection foil from the screen protector.
3. Place the screen protector onto the display.

i The screenprotector must be placed on a clean and dust-free surface.

3.5 Charging the battery

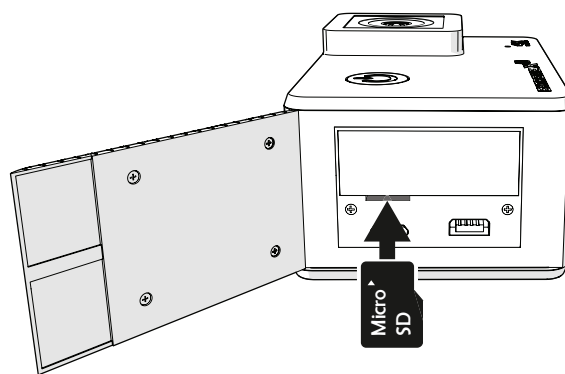


1. Unlock the battery door.
2. Open the battery door.
3. Insert the Micro USB connection in the Micro USB port and the USB connection in the USB input of, for example, a computer. The battery is fully charged within 3,5-4 hours. The LED indicator is blue during charging. When the battery is fully charged the LED indicator is off.

4 Usage

4.1 Memory Card: Placement and access

- i** Due to the great variety of products with external memory connection (USB, SD/MMC, etc.) and their sometimes quite manufacturer-specific functions we can neither guarantee that all devices will be recognised, nor that all operating options that are possible in theory will actually work.



Memory card slot max. Gb

4.2 Using the on/off button

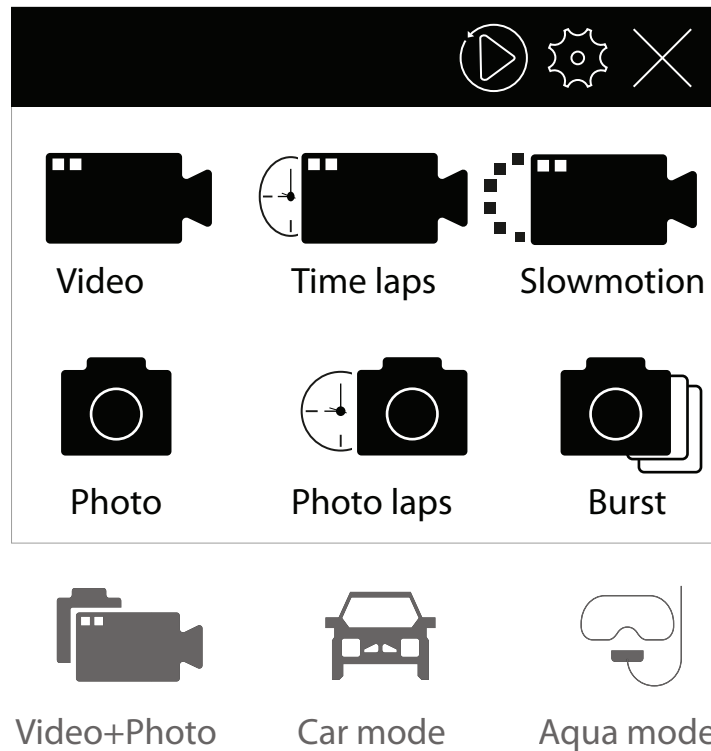
4.2.1 Switch on the product

1. Press the POWER / MODE button for 2 seconds.
2. The device has now been turned on.
3. The blue indicator lamp is lit.

4.2.2 Switch off the product

1. Press the POWER / MODE button for 2 seconds.
2. The device has now been turned off.

4.3 Main menu



4.3.1 Video

1. In the main menu, press "Video".
2. Press "OK" to start filming.
3. Press "OK" again to stop filming.

4.3.2 Timelapse

1. In the main menu, press "Timelapse".
2. Press "OK" to start filming.
3. Press "OK" again to stop filming.

4.3.3 Slow Motion

1. In the main menu, press "Slow Motion".
2. Press "OK" to start filming.
3. Press "OK" again to stop filming.

4.3.4 Photo

1. In the main menu, press "Photo".
2. Press "OK" to take a picture.

4.3.5 Photo Lapse

1. In the main menu, press "Photo Lapse".
2. Press "OK" to start the photo lapse.
3. Press "OK" to stop the photo lapse.

4.3.6 Burst

1. In the main menu, press "Burst".
2. Press "OK" to start a photo burst.

4.3.7 Video+Photo

1. Swipe down.
2. In the main menu, press "Video+Photo".
3. Press "OK" to start the video and the photo lapse.
4. Press "OK" to stop the video and the photo lapse.

4.3.8 Dashcam

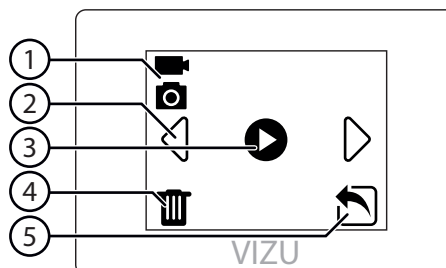
1. Swipe down.
2. In the main menu, press "Dashcam".
3. Press "OK" to start filming.
4. Press "OK" again to stop filming.

4.3.9 Aqua mode

1. Swipe down.
2. In the main menu, press "Aqua mode".
3. Press "OK" to start filming.
4. Press "OK" again to stop filming.

4.4 Play

In the main menu, press the play button.



1. Mode
2. Next/previous video
3. Play video
4. Delete video or photo
5. Leave the play menu

4.5 Settings

4.5.1 General settings

| Name | Function |
|-----------------------|---|
| Power on mode | Here you can choose in which mode the camera starts up (video, photo etc.). |
| Power Frequency | Here you can set the power frequency. |
| Distortion Correction | Here you can switch the distortion correction on or off. |
| Date & Time | Here you can set the date and time. |
| Screen Saver | The display turns off after the set time. You can choose from: OFF, 1, 3 and 5 minutes. |
| Auto Power Off | Here you can switch the automatic power off function on or off. |
| Power-On Auto Record | Here you can switch automatic record on or off. |
| Reset WiFi Setting | Here you can delete the changed WiFi settings. |
| Language | You can set the language here. |
| Format | Here you can delete the files from your SD card. |
| System | Here you can find your system and card info. Also you can reset the camera to the factory settings. |

4.5.2 Video

| Name | Function |
|-----------------------|--|
| Video Resolution | Here you can change the resolution of the videos. |
| FOV | Here you can change the field of view of the camera. |
| Voice Rec | Here you can switch the sound recording during filming, on or off. |
| LIVE | Here you can switch a Facebook live stream on or off. |
| Exposure Compensation | Here you can change the brightness of the image. |
| ISO | Here you can change the light sensitivity of the camera. |
| White Balance | Here you can set a preprogrammed white balance. |
| Image Stabilisation | Here you can switch image stabilisation on or off. |
| Video File Length | Here you can set the maximum recording time |
| Fast Motion | Here you can set the fast motion speed. |
| Wind Noise Reduction | Here you can switch the wind noise reduction on or off. |
| Date Stamp | Here you can switch the date stamp on or off. |

4.5.3 Timelapse

| Name | Function |
|---------------------------|--|
| Time Lag Video Interval | Here you can set the time in between frames. |
| Time Lapse Video Duration | Here you can set the maximum recording time |
| Video Resolution | You can change here the resolution of the videos. |
| FOV | Here you can change the field of view of the camera. |
| Voice Rec | Here you can switch the sound recording during filming, on or off. |
| LIVE | Here you can switch a Facebook live stream on or off. |
| Exposure Compensation | Here you can change the brightness of the image. |
| ISO | Here you can change the light sensitivity of the camera. |
| White Balance | Here you can set a preprogrammed white balance. |
| Image Stabilisation | Here you can switch image stabilisation on or off. |
| Wind Noise Reduction | Here you can switch the wind noise reduction on or off. |
| Date Stamp | Here you can switch the date stamp on or off. |

4.5.4 Slow Motion

| Name | Function |
|-----------------------|--|
| Slow Motion Video | Here you can switch the slow motion effect on or off. |
| FOV | Here you can change the field of view of the camera. |
| Voice Rec | Here you can switch the sound recording during filming, on or off. |
| LIVE | Here you can switch a Facebook live stream on or off. |
| Exposure Compensation | Here you can change the brightness of the image. |
| ISO | Here you can change the light sensitivity of the camera. |
| White Balance | Here you can set a preprogrammed white balance. |
| Video File Length | Here you can set the maximum recording time |
| Wind Noise Reduction | Here you can switch the wind noise reduction on or off. |
| Auto Low Light | Here you can switch auto low light on or off. |
| Date Stamp | Here you can switch the date stamp on or off. |

4.5.5 Photo

| Name | Function |
|---------------|---|
| Resolution | Here you can set the resolution of the pictures. |
| FOV | Here you can change the field of view of the camera. |
| Exposure | Here you can change the brightness of the image. |
| ISO | Here you can change the light sensitivity of the camera. |
| Delay timer | Here you can set the amount of time after which a photo is taken, after pressing the OK button. |
| Long exposure | Here you can set a slower shutter speed. |
| Date Stamp | Here you can switch the date stamp on or off. |

4.5.6 Photo Lapse

| Name | Function |
|-------------------------|--|
| Photo time interval | Here you can set the time between two pictures. |
| Interval photo duration | Here you can set the amount of time the camera is taking photos. |
| Resolution | Here you can set the resolution of the pictures. |
| FOV | Here you can change the field of view of the camera. |
| Exposure | Here you can change the brightness of the image. |
| ISO | Here you can change the light sensitivity of the camera. |
| Date Stamp | Here you can switch the date stamp on or off. |

4.5.7 Burst

| Name | Function |
|-------------|--|
| Burst Mode | Here you can set the number of pictures in a burst. |
| Resolution | Here you can set the resolution of the pictures. |
| FOV | Here you can change the field of view of the camera. |
| Exposure | Here you can change the brightness of the image. |
| ISO | Here you can change the light sensitivity of the camera. |
| Date Stamp | Here you can switch the date stamp on or off. |

4.5.8 Video+Photo

| Name | Function |
|-----------------------|--|
| Video+Photo | Here you can switch the Video-Photo function on or off. |
| Video Resolution | You can change here the resolution of the videos. |
| FOV | Here you can change the field of view of the camera. |
| Voice Rec | Here you can switch the sound recording during filming, on or off. |
| LIVE | Here you can switch a Facebook live stream on or off. |
| Exposure Compensation | Here you can change the brightness of the image. |
| ISO | Here you can change the light sensitivity of the camera. |
| White Balance | Here you can set a preprogrammed white balance. |
| Image Stabilisation | Here you can switch image stabilisation on or off. |
| Video File Length | Here you can set the maximum recording time |
| Wind Noise Reduction | Here you can switch the wind noise reduction on or off. |
| Date Stamp | Here you can switch the date stamp on or off. |

4.5.9 Dashcam

| Name | Function |
|-----------------------|--|
| Video Resolution | You can change here the resolution of the videos. |
| FOV | Here you can change the field of view of the camera. |
| Voice Rec | Here you can switch the sound recording during filming, on or off. |
| LIVE | Here you can switch a Facebook live stream on or off. |
| Exposure Compensation | Here you can change the brightness of the image. |
| ISO | Here you can change the light sensitivity of the camera. |
| White Balance | Here you can set a preprogrammed white balance. |
| Image Stabilisation | Here you can switch image stabilisation on or off. |
| Video File Length | Here you can set the maximum recording time |
| Wind Noise Reduction | Here you can switch the wind noise reduction on or off. |
| Date Stamp | Here you can switch the date stamp on or off. |

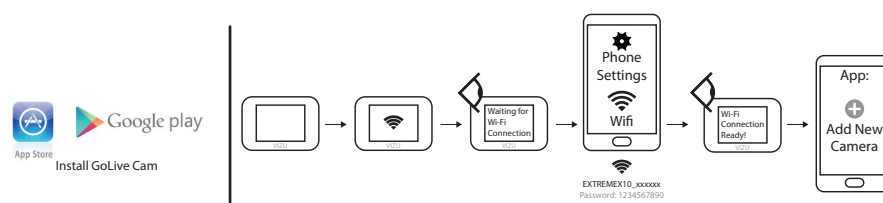
4.5.10 Aqua mode

| Name | Function |
|----------------------|--|
| Video Resolution | You can change here the resolution of the videos. |
| FOV | Here you can change the field of view of the camera. |
| Voice Rec | Here you can switch the sound recording during filming, on or off. |
| LIVE | Here you can switch a Facebook live stream on or off. |
| Exposure | Here you can change the brightness of the image. |
| ISO | Here you can change the light sensitivity of the camera. |
| Image Stabilisation | Here you can switch image stabilisation on or off. |
| Video File Length | Here you can set the maximum recording time |
| Wind Noise Reduction | Here you can switch the wind noise reduction on or off. |
| Date Stamp | Here you can switch the date stamp on or off. |

4.6 Remove the battery

1. Unlock the battery door.
2. Open the battery door.
3. Take the tab on the battery and move the battery out of the camera.

4.7 Connecting the GoLive Cam app



1. Download the GoLive Cam app for Android or iOS onto your phone via Google Play or the Apple App Store.
2. Swipe down.
3. Press the WiFi icon.
4. Go to your smartphone settings.
5. Open the WiFi settings.
6. Select the camera.
7. Enter the password. The default password is 1234567890.
8. Open the GoLive Cam app on your mobile phone.
9. Select Add New Camera.

4.8 Connecting a USB to a computer

Use the supplied micro USB cable to connect your camera with a computer.

4.9 Make an HDMI connection.

Use a micro HDMI cable to connect the camera to a screen.

5 Mount the camera

5.1 Attach to wristband

You can attach the camera to a wristband. To do this, use the supplied accessories.

| No. | Component |
|-----|---------------|
| 1 | Action camera |
| 15 | Wristband |

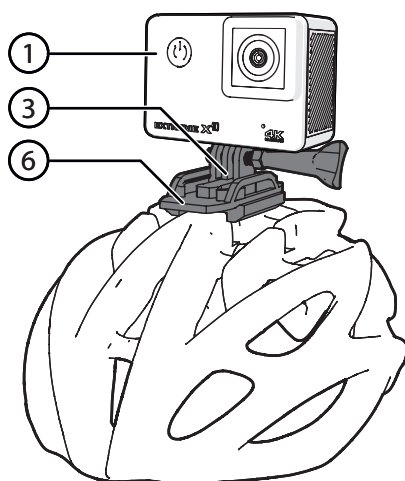
5.2 Mount the camera on a smooth surface

You can attach the camera at a smooth or slightly curved surface. To do this, use the supplied accessories.

| No. | Component |
|-----|------------------|
| 1 | Action camera |
| 3 | Pedestal 1 |
| 4 | Pedestal 2 |
| 5 | Pedestal 3 |
| 6 | Pedestal 4 |
| 9 | Switch support 3 |
| 10 | Locking pin 1 |
| 11 | Locking pin 2 |
| 12 | 3M sticker 1 |
| 13 | 3M sticker 2 |

5.3 Mount the camera on the helmet

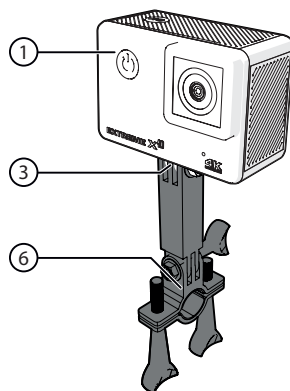
You can mount the actioncam on the helmet. Only use the supplied accessory.



| No. | Component |
|-----|--------------------|
| 1 | Action camera |
| 3 | Pedestal 1 |
| 4 | Pedestal 2 |
| 6 | Pedestal 4 |
| 9 | Switch support 3 |
| 10 | Locking pin 1 |
| 11 | Locking pin 2 |
| 13 | 3M sticker 2 |
| 16 | Helmet strap mount |

5.4 Mount the camera on your bike

You can mount the actioncam on your bike. Only use the supplied accessories.



| No. | Component |
|-----|------------------|
| 1 | Action camera |
| 2 | Bicycle bracket |
| 9 | Switch support 3 |

6 Cleaning and maintenance

- Do not use aggressive chemical cleaning agents such as ammonia, acid or acetone when cleaning the product.
- Do not dry the camera or battery with an external heat source such as a microwave oven or hair dryer.
- If you do not use the appliance for an extended period, remove the batteries.
- Clean the lens with a camera lens brush/blower (not included) if the lens is dirty.
- Clean the outside of the appliance with a soft cloth.

7 Technical specifications

- Model number: Extreme X10
- Screen size: 2.0 inch
- Resolution: 16 MP
- Water resistance: 10 meters
- Viewing angle: 170°
- Battery type: lithium-ion
- Battery capacity: 1.5 hours
- Weight: 95 g
- Dimensions: 64 x 46 x 29 mm
- Connectivity: Micro USB / Micro HDMI / Facebook live streaming / WIFI
- Memory: Micro SD-kaart (Max. 64 Gb)
- Language options: English, German, French, Spanish, Italian

8 Disposal of used electric and electronic equipment



The meaning of the symbol on the material, its accessory or packaging indicates that this product shall not be treated as household waste. Please, dispose of this equipment at your applicable collection point for the recycling of electrical and electronic equipments waste. In the European Union and other European countries which there are separate collection systems for used electrical and electronic product. By ensuring the correct disposal of this product, you will help prevent potentially hazardous to the environment and to human health, which could otherwise be caused by unsuitable waste handling of this product. The recycling of materials will help conserve natural resources. Please do not therefore dispose of your old electrical and electronic equipment with your household waste.

For more detailed information about recycling of this product, please contact your local city office, your household waste disposal service or the shop where you purchased the product.