

# Quickstart guide

NEXAIR6AT  
Air Compressor

# NIKKEI



- EN For more information see [www.nikkei.eu](http://www.nikkei.eu)
- NL Voor meer informatie zie [www.nikkei.eu](http://www.nikkei.eu)
- D Für weitere Informationen siehe [www.nikkei.eu](http://www.nikkei.eu)
- F Pour plus d'informations, veuillez consulter le site [www.nikkei.eu](http://www.nikkei.eu)
- E Para más información, visite [www.nikkei.eu](http://www.nikkei.eu)
- DK For mere information besøg [www.nikkei.eu](http://www.nikkei.eu)
- FI Lisätietoja löydät osoitteesta [www.nikkei.eu](http://www.nikkei.eu)



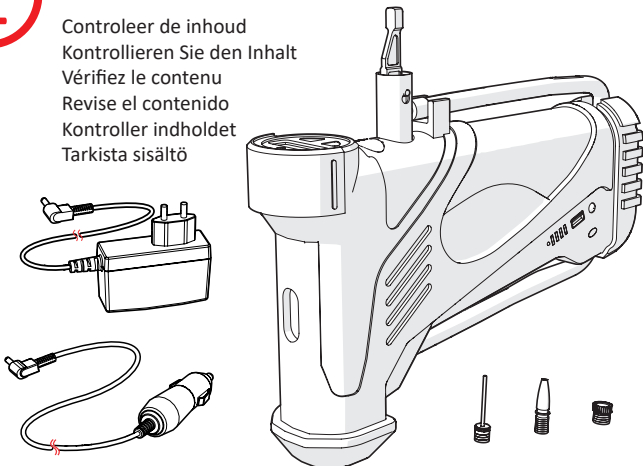
## 1 Follow the safety instructions

Volg de veiligheidsvoorschriften. Befolgen Sie die Sicherheitshinweise. Suivez les instructions de sécurité. Siga las instrucciones de seguridad. Følg sikkerhedsinstruktionerne. Noudata turvallisuuohjeita.

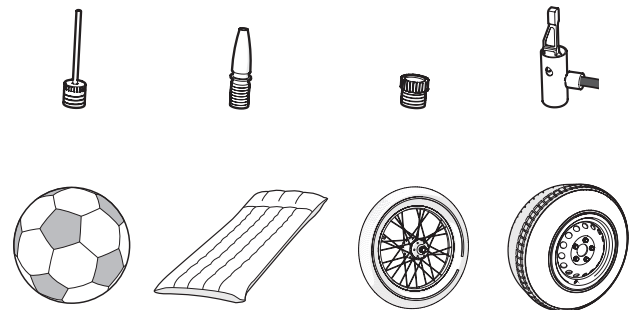
- |   |   |  |  |  |   |   |
|---|---|--|--|--|---|---|
| <p><b>EN</b></p> <ul style="list-style-type: none"> <li>⚠ Always wear eye protective equipment.</li> <li>⚠ When inflating, do not exceed the pressure recommended by the manufacturer.</li> <li>⚠ Be aware that some parts of the device may become hot.</li> </ul> | <p><b>NL</b></p> <ul style="list-style-type: none"> <li>⚠ Draag altijd oogbescherming. Overschrijd de aanbevolen druk van de fabrikant niet bij het oppompen.</li> <li>⚠ Houd er rekening mee dat sommige delen van het apparaat heet kunnen worden.</li> </ul> | <p><b>D</b></p> <ul style="list-style-type: none"> <li>⚠ Always wear eye protective equipment.</li> <li>⚠ When inflating, do not exceed the pressure recommended by the manufacturer.</li> <li>⚠ Be aware that some parts of the device may become hot.</li> </ul> | <p><b>F</b></p> <ul style="list-style-type: none"> <li>⚠ Always wear eye protective equipment.</li> <li>⚠ When inflating, do not exceed the pressure recommended by the manufacturer.</li> <li>⚠ Be aware that some parts of the device may become hot.</li> </ul> | <p><b>E</b></p> <ul style="list-style-type: none"> <li>⚠ Always wear eye protective equipment.</li> <li>⚠ When inflating, do not exceed the pressure recommended by the manufacturer.</li> <li>⚠ Be aware that some parts of the device may become hot.</li> </ul> | <p><b>DK</b></p> <ul style="list-style-type: none"> <li>⚠ Always wear eye protective equipment.</li> <li>⚠ When inflating, do not exceed the pressure recommended by the manufacturer.</li> <li>⚠ Be aware that some parts of the device may become hot.</li> </ul> | <p><b>FI</b></p> <ul style="list-style-type: none"> <li>⚠ Always wear eye protective equipment.</li> <li>⚠ When inflating, do not exceed the pressure recommended by the manufacturer.</li> <li>⚠ Be aware that some parts of the device may become hot.</li> </ul> |
|---|---|--|--|--|---|---|

## 2 Check the contents

Controleer de inhoud  
Kontrollieren Sie den Inhalt  
Vérifiez le contenu  
Revise el contenido  
Kontroller indholdet  
Tarkista sisältö

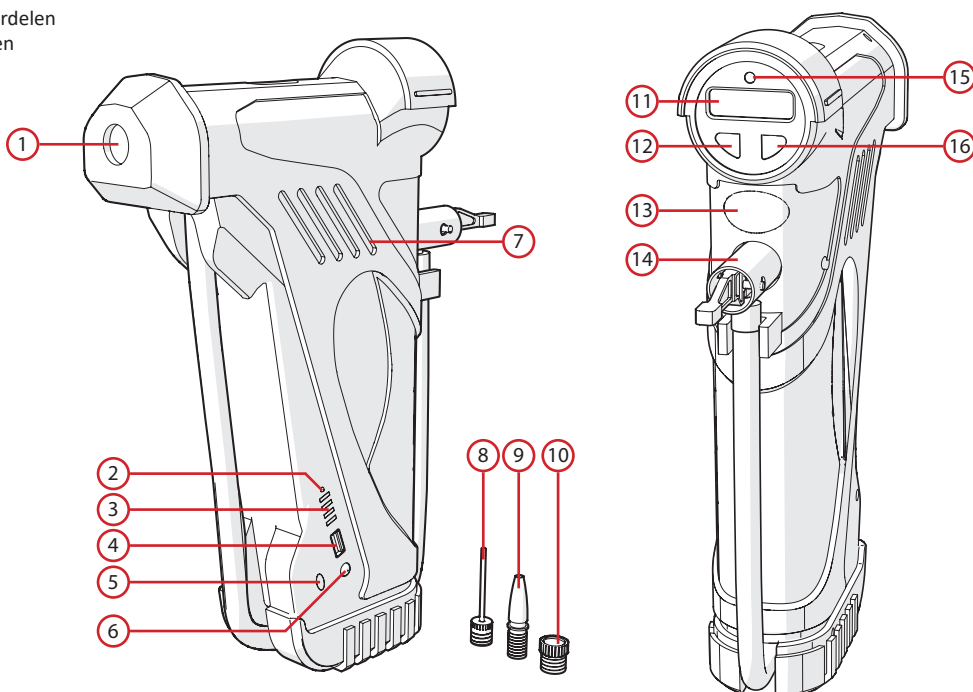


## 3 Use of adapters



## 4 Main parts

Belangrijkste onderdelen  
Hauptkomponenten  
Pièces principales  
Partes principales  
Hoveddele  
Pääosat



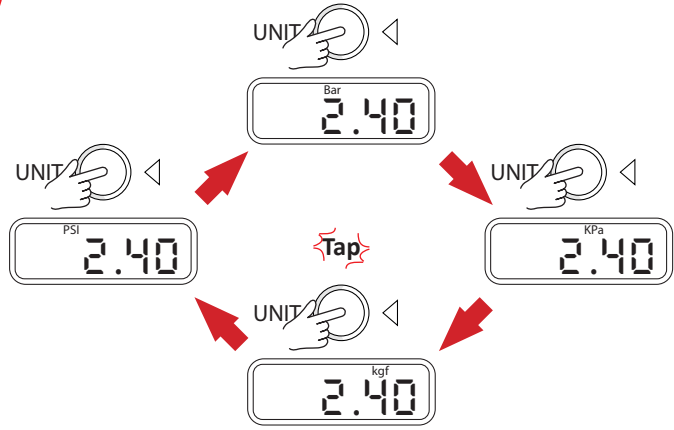
1	FLASH LIGHT
2	FAULT INDICATOR
3	BATTERY LEVEL INDICATOR
4	USB OUTPUT
5	USB CHARGING / FLASH LIGHT BUTTON
6	CHARGING CONNECTOR
7	VENTILATION SLOT
8	BALL ADAPTER
9	AIRBED ADAPTER
10	BIKE TYRE ADAPTER
11	DISPLAY
12	DOWN
13	ON/OFF
14	VALVE ADAPTOR
15	UNIT BUTTON
16	UP

## 5 Charge the device

Laad het apparaat op  
Das Gerät laden  
Charger l'appareil  
Cargar el dispositivo  
Oplad enheden  
Lataa laite

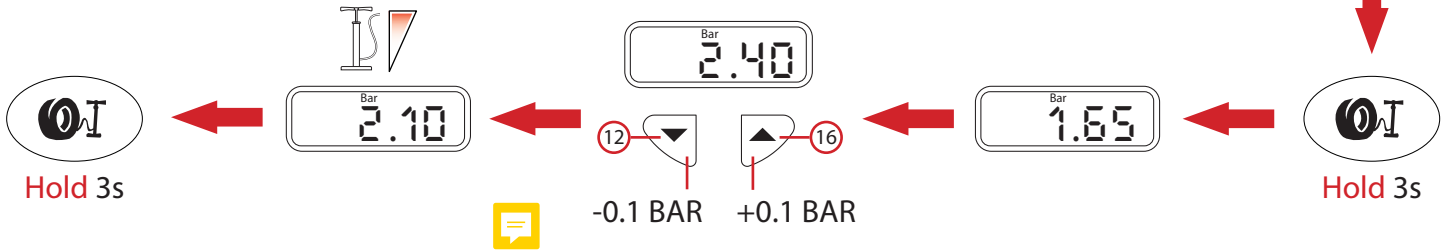
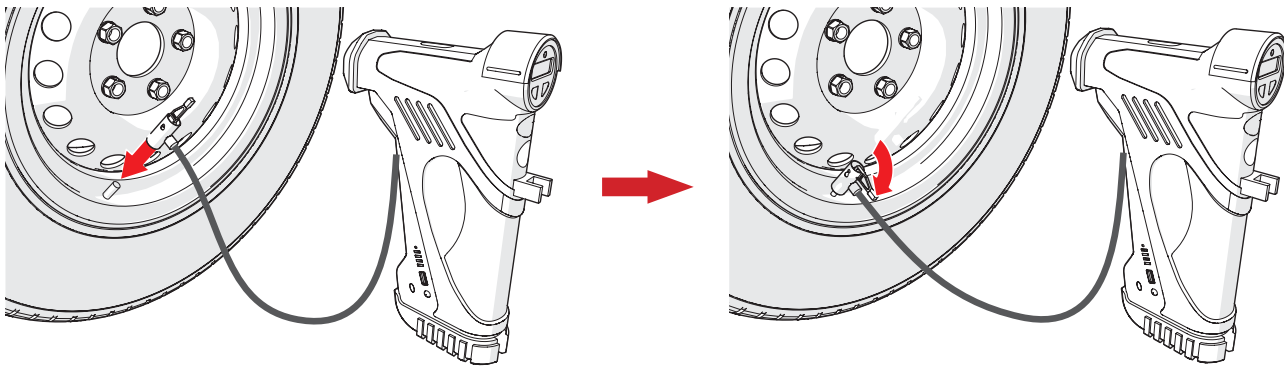


## 6 Set the units



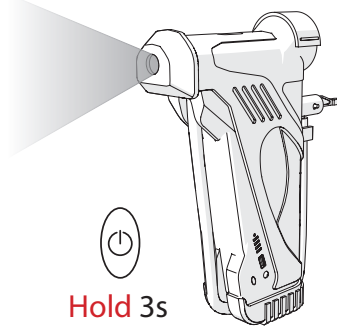
## 7 Inflation

Oppompen  
Aufpumpen  
Gonfler  
Inflar  
Pumpe  
Pumppu



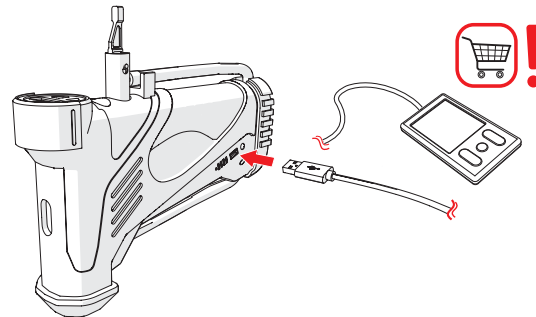
## 8 Flashlight

Zaklamp  
Taschenlampe  
Lampe de poche  
Flash  
Lommelygte  
Taskulamppu



## 9 USB Charger

Usb oplader  
USB-Ladegerät  
Chargeur USB  
Cargador usb  
USB oplader  
USB-laturi



### Specifications

### Specificaties

### Technische Daten

### Spécifications

### Especificaciones

### Specifikationer

### Tekniset tiedot

Battery capacity:  
2000 mAh  
Charging Voltage:  
13 to 30 VDC  
Max. pressure: 150 PSI  
USB Output: 5 VDC 2A

Batterij capaciteit:  
2000 mAh  
Laadspanning:  
13 tot 30 VDC  
Max. druk: 150 PSI  
USB Output: 5 VDC 2A

Batteriekapazität:  
2000 mAh  
Ladespannung:  
13 bis 30 VDC  
Max. druck: 150 PSI  
USB Output: 5 VDC 2A

Capacité de la batterie:  
2000 mAh  
Tension de charge:  
13 à 30 VDC  
Max. pression: 150 PSI  
USB Output: 5 VDC 2A

Capacidad de la batería:  
2000 mAh  
Voltaje de carga:  
13 a 30 VDC  
Max. presionar: 150 PSI  
USB Output: 5 VDC 2A

Batterikapacitet:  
2000 mAh  
Opladningsspænding:  
13 til 30 VDC  
Maks. pressurep: 150 PSI  
USB Output: 5 VDC 2A

Akun kapasiteetti:  
2000 mAh  
Latausjännite:  
13 - 30 VDC  
Max. pressurep: 150 PSI  
USB Output: 5 VDC 2A

Weight: 900 g  
Dimensions:  
145 x 238 x 45 mm  
Warranty: 24 months

Gewicht: 900 g  
Afmetingen:  
145 x 238 x 45 mm  
Garantie: 24 months

Gewicht: 900 g  
Abmessungen:  
145 x 238 x 45 mm  
Garantie: 24 months

Poids: 900 g  
Dimensions:  
145 x 238 x 45 mm  
Garantie: 24 months

Peso: 900 g  
Dimensiones:  
145 x 238 x 45 mm  
Garantía: 24 months

Vægt: 900 g  
Dimensioner:  
145 x 238 x 45 mm  
Garanti: 24 months

Paino: 900 g  
Mitat:  
145 x 238 x 45 mm  
Takuu: 24 months