



# ACTION CAMERA - OXC 1040H-B

USER MANUAL

EN



# Content


---

<b>1</b>	<b>Intended use</b>	<b>3</b>
<b>2</b>	<b>Safety</b>	<b>4</b>
2.1	Labels in this manual	4
2.2	General safety instructions	4
<b>3</b>	<b>Preparations for use</b>	<b>7</b>
3.1	Unpacking	7
3.2	Package contents	8
3.3	Charge the battery	9
<b>4</b>	<b>Functions</b>	<b>10</b>
4.1	OXC 1040H-B	10
<b>5</b>	<b>Usage</b>	<b>11</b>
5.1	Memory Card: Placement and access	11
5.2	Using the on/off button	11
5.3	Start filming	12
5.4	Make a photo	13
5.5	Play	14
5.6	Protect photos and recordings	15
5.7	Delete photos and recordings	16
5.8	Settings	17
5.9	Remove the battery	20
5.10	Connecting a USB to a computer	21
5.11	Make an HDMI connection with the television	21
<b>6</b>	<b>Accessories</b>	<b>22</b>
6.1	Place the camera in the waterproof case	22
6.2	Mount the camera on your bike	23
6.3	Attach the camera with the clip	24
		25
<b>7</b>	<b>Technical specifications</b>	<b>26</b>
<b>8</b>	<b>Cleaning and maintenance</b>	<b>27</b>
<b>9</b>	<b>Disposal of used electric and electronic equipment</b>	<b>28</b>

# 1 Intended use

---




The OXC 1040H-B is an actioncam to make pictures and movies. Use the delivered accessoires by example to attach the OXC 1040H-B on your bike, helmet and belt. The actioncam may not be exposed to splashing or dripping water without the waterproofcase. The device is intended for consumer use, not for professional use.

 Due the wide variety of products with USB ports, mobile devices and their manufacturer-specific functions we cannot guarantee that all devices will be recognized or all operating options can function.

## 2 Safety










---

### 2.1 Labels in this manual

-  **WARNING** A warning means that injury is possible if the instructions are not obeyed.
-  **CAUTION** A caution means that damage to the equipment is possible.
-  A note gives additional information, e.g. for a procedure.

### 2.2 General safety instructions

#### General

-  To prevent damage or malfunctions: Please take time and read the general safety instructions. This will avoid fire, explosions, electric shocks or other hazards that may result in damage to property and/or severe or fatal injuries.
-  The manufacturer is not liable for cases of material damage or personal injury caused by incorrect handling or non compliance with the safety instructions. In such cases, the warranty will be voided.
-  Do not operate the device during driving.
-  **WARNING** Do not put force on the appliance. The appliance can fall and can cause serious injury.
-  Always check that the mains voltage corresponds to the voltage on the rating plate.
-  Only use original accessories from the manufacturer.
-  Do not spill any liquid on the appliance.
-  Do not insert any objects in the ventilation holes.
-  Do not block the ventilation holes.

- ⚠ Never leave children unattended with the packing material. The packaging material represents a danger of suffocation. Children frequently underestimate the danger. Always keep children away from the packaging material.
- ⚠ **WARNING** It is not permitted to open the product yourself or to have it opened, neither is it permitted to repair the product yourself or to have it repaired. This will void the warranties. Please let any maintenance be carried out by certified maintenance personnel.
- ⚠ **CAUTION** Clean the outside of the appliance with a soft cloth. When the appliance is very dirty, dampen the cloth slightly with water and a neutral solution.
- ⚠ Do not put the appliance near a heat source. This could damage the appliance.
- ⚠ Do not expose the appliance to direct sunlight.
- ⚠ If your product runs on batteries: Incorrect installation can cause battery leakage and corrosion which will damage the appliance. Corrosion, oxidation, battery leakage and any other gradually acidic defect of this nature will invalidate the guarantee.
- ⚠ Check the product, cable and (if applicable) adapter for any damage before use. If there is any visible damage, a strong odour, or excessive overheating of components, unplug the product.
- ⚠ Always secure the camera in its housing when using the camera in or around water. Do not get the camera or the battery wet. The camera is not waterproof.
- ⚠ The rubber seal that lines the camera housing forms a waterproof barrier that protects the appliance in wet and underwater conditions. Keep the appliance housing's rubber seal clean. A single hair or grain of sand can cause a leak and damage your camera.
- ⚠ After every use in salt water, rinse the outside of the camera housing with non-salt water and dry. Not doing this can eventually cause corrosion of the hinge pin and salt buildup in the seal, which can damage the camera housing.

- ⚠ The camera contains sensitive components, including the battery. Avoid exposing your camera and battery to very cold or very hot temperatures. Low or high temperature conditions may temporarily shorten the battery life or cause the camera to temporarily stop working properly. Avoid dramatic changes in temperature or humidity when using the camera, as condensation may form on or within the camera.
  
- ⚠ Do not dry the camera or battery with an external heat source such as a microwave oven or hair dryer.

### Remarks

- i** If this appliance is equipped with rubber feet to prevent it from moving: The feet are made from non-migrating material specially formulated to avoid leaving any marks or stains on furniture. However, certain types of furniture polishes, wood preservatives or cleaning sprays cause the rubber to soften and leave marks or a residue on the furniture, and potentially risk the surface to become damaged. To prevent damage to wooden surfaces, we recommend that you apply self-adhesive pads to the bottom of the rubber feet before installation.
  
- i** We recommend that you retain the original carton and packing materials in case it ever becomes necessary to return your product for service. This is the only way to safely protect the product against damage in transit. If you do dispose of the carton and the packing materials, please remember to recycle with due care to the environment.

## 3 Preparations for use

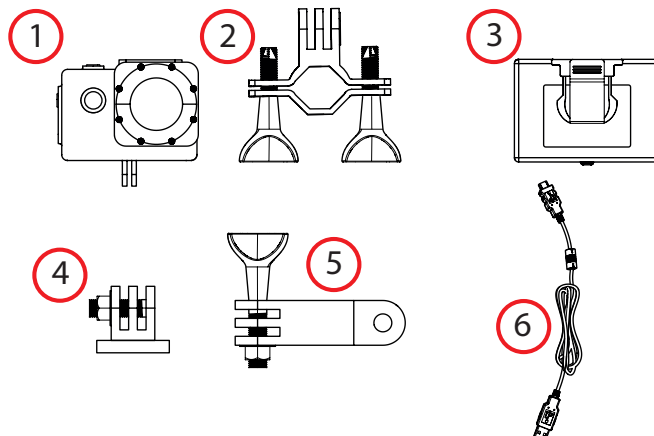
---

### 3.1 Unpacking

- Unpack the appliance carefully.
- Check the package contents as described below. If any item is missing, please contact your reseller.
- We recommend that you retain the original carton and packing materials in case it ever becomes necessary to return your product for service. This is the only way to safely protect the product against damage in transit. If you do dispose of the carton and the packing materials, please remember to recycle with due care to the environment.

## 3.2 Package contents

The following items are included in the received package:



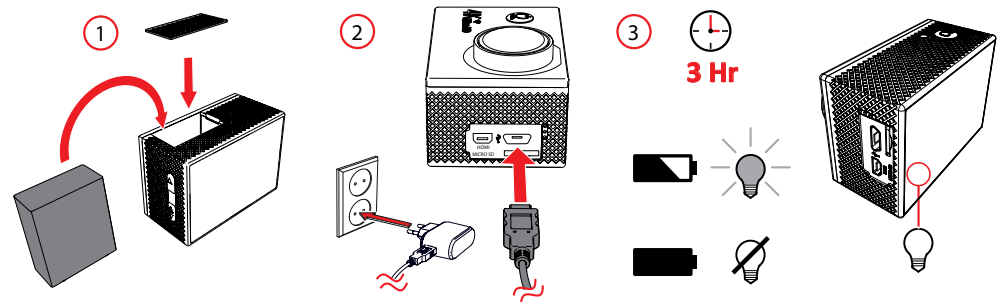
**i** If any item is missing, please contact your reseller.

1. **1x Waterproof case within the camera**
2. **1x Bicycle bracket**
3. **1x Back clip**
4. **1x fixed base**
5. **1x switch support**
6. **1x USB connecting cable**

**i** If any item is missing, please contact your reseller.



### 3.3 Charge the battery



- Open the battery door.
- Place the battery and close the battery door.
- The battery is fully charged within 3 hours. The LED indicator is green during charging. When the battery is full the LED indicator is off.

## 4 Functions

---

### 4.1 OXC 1040H-B

Filming



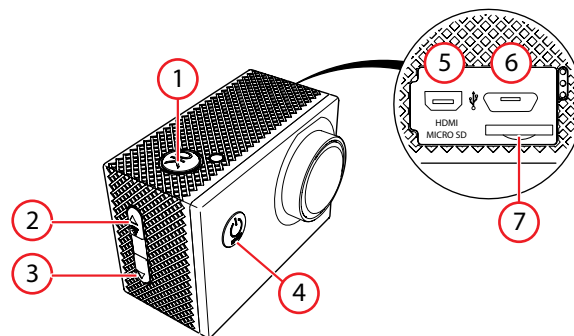
Make a photo



Play



Settings



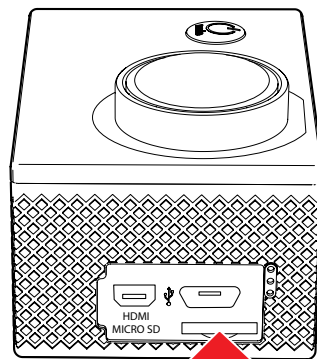
1. OK button
2. PREVIOUS button
3. FORWARD button
4. ON/OFF/MODE button
5. HDMI-output
6. Micro USB connection
7. Slot-in for micro SD card

## 5 Usage

---

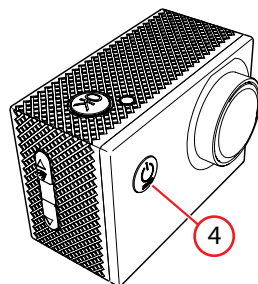
### 5.1 Memory Card: Placement and access

**i** Due to the great variety of products with external memory connection (USB, SD/MMC, etc.) and their sometimes quite manufacturer-specific functions we can neither guarantee that all devices will be recognised, nor that all operating options that are possible in theory will actually work.



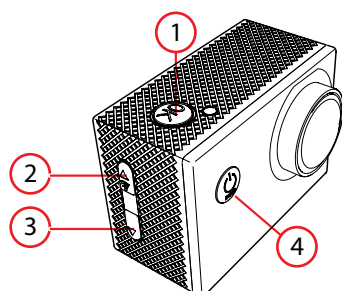
(7) Memory card slot max. 32 Gb

### 5.2 Using the on/off button



- Keep key MODE (4) pressed for 3-5 seconds
- The device has now been turned on.
- The red indicator lamp is lit.

## 5.3 Start filming



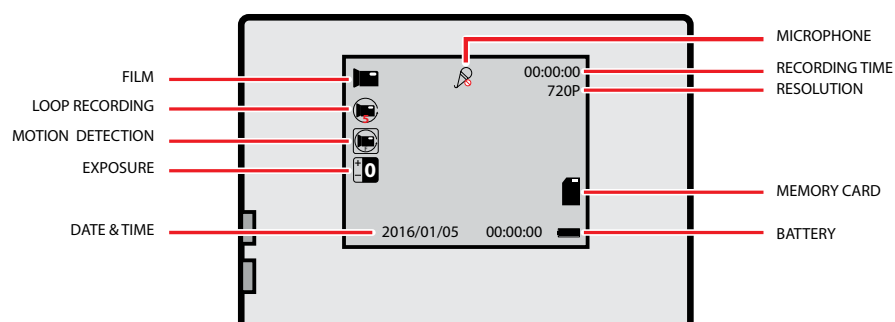
- Press 2 seconds on the button ON/OFF/MODE (4) to turn the camera on.

**i** When you turn the appliance on, you are already in the film mode.

- Press repeatedly on the Mode button (4) until you reach the film mode.



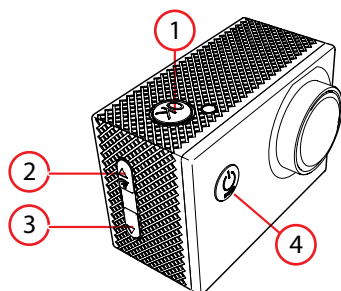
- On the display a few icons are visible. See paragraph 5.8 for the explanation of these icons.



**i** Press the button FORWARD (3) to secure the take. A key icon appears on the display. Now you are sure you cannot delete the take (accidentally).

- Press on the button OK (1) to start filming.
- Press the button PREVIOUS (2) to record also the audio. In the display appears a microphone icon. A microphone icon appears when the audio recording is not activated.
- Press again on the PREVIOUS button (2) to turn the microphone on. There is now no microphone icon visible.
- Press again on the button OK (1) to stop filming. The movie is saved.

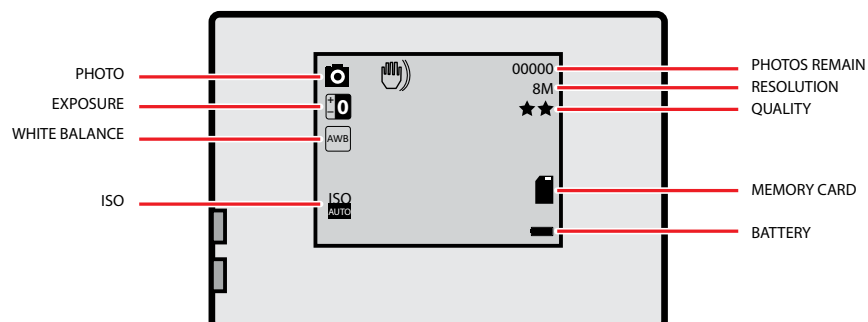
## 5.4 Make a photo



- Press 2 seconds on the button ON/OFF/MODE (4) to turn the camera on.

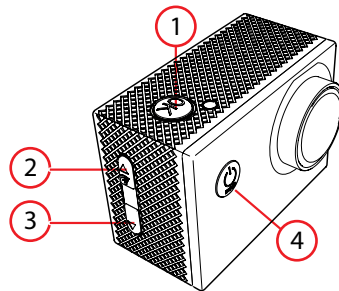
**i** When you turn the appliance on, you are already in the film mode.

- Press repeatedly on the Mode button ((4)) until you reach the settings mode.



- Press on the button OK ((1)) to make a photo.

## 5.5 Play



- Press 2 seconds on the button ON/OFF/MODE (4) to turn the camera on.

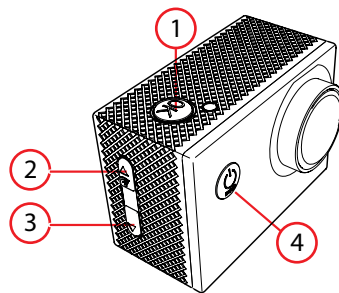
**i** When you turn the appliance on, you are already in the film mode.

- Press repeatedly on the Mode button ((4)) until you reach the play mode. You can display the photo`s and watchthe recorded videos.



- On the display a few icons are visible. See paragraph 5.8 for the explanation of these icons.
- Use the buttons (2) PREVIOUS (3) FORWARD to search for a photo or video.
- Press on the button OK ((1)) to view a photos and play videos.

## 5.6 Protect photos and recordings

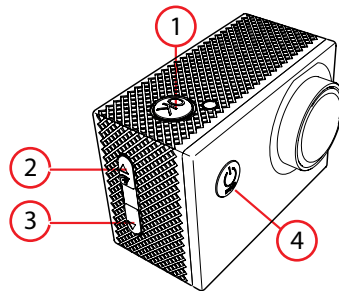


- Press 2 seconds on the button ON/OFF/MODE (4) to turn the camera on.

**i** When you turn the appliance on, you are already in the film mode.

- Press repeatedly on the Mode button ((4)) until you reach the settings mode.
- Select the Protect (key) from the Playback menu.
- Use the PREVIOUS FORWARD and (2) (3) keys to navigate within the menu.
- Press OK (1) to confirm your selection.
- You can choose from the following options: Lock Current (secure current selection), Unlock Current (desecure the current selection), Lock All (secure all files) and Unlock All (desecure all files).

## 5.7 Delete photos and recordings



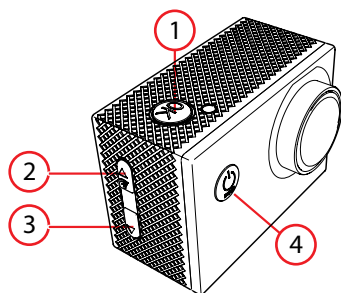
- Press 2 seconds on the button ON/OFF/MODE (4) to turn the camera on.

**i** When you turn the appliance on, you are already in the film mode.

- Press repeatedly on the Mode button ((4)) until you reach the settings mode.
- Select Delete (bin) from the Playback menu.
- You can choose from the following options: Delete Current (delete the current selection) or Delete All (delete all files).



## 5.8 Settings



The factory settings are:

### Video mode

- Resolution: 720P 1280x720
- Loop recording: 2 min
- Exposure: 0
- Motion Detection: OFF
- Record Audio: ON
- Data Stamp: ON
- G-sensor: OFF

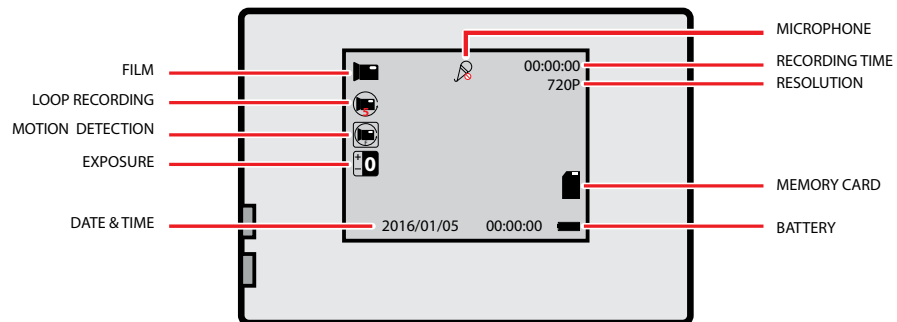
### Photo mode

- Resolution: 8M 326 x 2448
- Sequence: OFF
- Quality: Normal
- Sharpness: Normal
- Park mode: OFF
- Date & Time
- Power Save: 3 min
- Screen saver: OFF
- Press 2 seconds on the button ON/OFF/MODE (4) to turn the camera on.
- BEEP: ON
- Language: English
- Light Source Frequency: for Europe 50Hz

**To change the settings, do the following:**

- Press repeatedly on the Mode button ((4)) until you reach the settings mode.
- Press OK (1) to confirm your selection.
- Use the PREVIOUS FORWARD and (2) (3) keys to navigate within the menu.

## Film mode



**Resolution:** you can set here the resolution. You can choose from: 720P 1280x720, WVGA 840x480 and VGA 640 x 480.

**Loop recording** is the process of recording video feeds. This process is a never-ending one: at the end of the internal disk drive, the recording process continues to record at the beginning, erasing the previously recorded material and replacing it with the new content. Within this function you can set the duration of 1 video. You can choose the following settings: OFF, 1min, 2min, 3min, 5min 10min.

**Exposure:** you can set the exposure here. You can choose from: -2.0, -5/3, -4/3, -1.0, -2/3, -1/3, 0.0, +1/3, +2/3, +1.0, +4/3, +5/3, +2.0

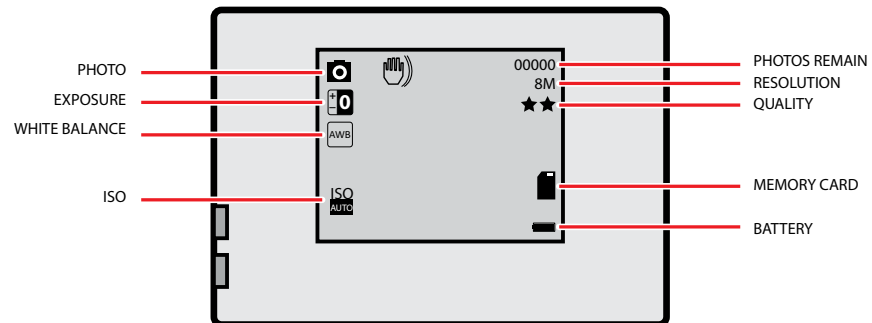
**Motion sensor/detection:** (On/Off) If the camera is on, this function allows for video recording as soon as the camera detects movement; the recording time is 10 seconds.

**Recording audio:** you can set here the recording sound on and off.

**Date stamp (on photo):** on/off, time and date.

**G-sensor:** With the G-sensor on, sensitivity: low/medium/high, the recording is automatically saved to the EVENT folder on the SD card in the event of severe jolts (e.g. a vehicle collision). Recordings saved to the EVENT folder are not removed with the delete option; these recordings can only be removed by formatting the SD card.

## Photo mode



Resolution: set the resolution. You can choose from: 12M (4032 x 3024), 10M (3648 x 2736), 8M (3264 x 3448), 5M (2592 x 1944), 3M (2048 x 1536), 2MHD (1920 x 1080) 1.3M (1280 x 960) and VGA 640 x 480.

Sequence: activate sequence to make multiple photos by pressing one time on the shutter button.

Sharpness: Adjust the screen sharpness.

You can choose from: strong, normal and soft.

Quality: Fine, Normal, Economy.

White balance: you can set the white balance here: You can choose from: Auto, Daylight, Cloudy, Tungsten, Fluorescent.

ISO: Auto, 100, 200, 400

Exposure: you can set the exposure here. You can choose from: -2.0, -5/3, -4/3, -1.0, -2/3, -1/3, 0.0, +1/3, +2/3, +1.0, +4/3, +5/3, +2.0

Anti-shaking (image stabilization): On / Off

Quick review: Off, 2 sec and 5 sec. Select this option in order to see the photo a few seconds after the shot.

Date stamp (on photo): on/off, time and date.

## Set-up



Park mode: OFF / high / medium / low

Date and Time Settings: Here you can set the date and time.

Auto power off: the camera goes automatically in idle mode. You can choose from: OFF, 1 and 3 minuten.

Screensaver: the display of the camera turns off, the camera remains on. You can choose from: OFF, 3, 5 and 10 minuten.

Beep: Turn the audio on or off while pressing on the buttons.

Language: set the language

Light Source Frequency: for Europe 50Hz

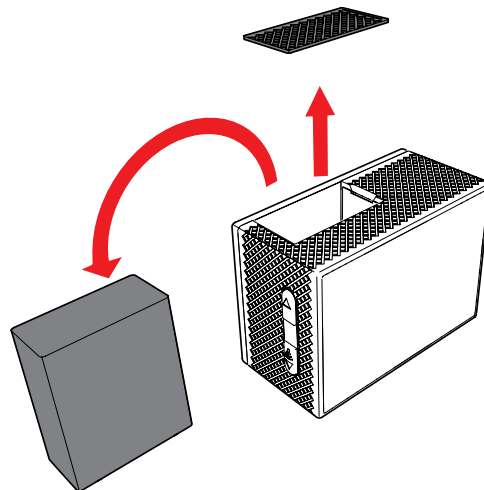
Format: here you can format the memory card. All data will be lost.

**i** All data will be lost.

Default setting: the camera settings will be set back to factory reset.

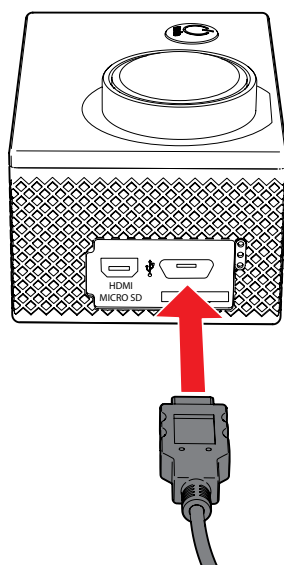
Version: systeminformation

## 5.9 Remove the battery



- Open the battery door.
- Take the tab on the batterij en move the batterij out of the camera.

## 5.10 Connecting a USB to a computer



- Insert the USB cable into the camera and the computer.
- You can choose the following options:

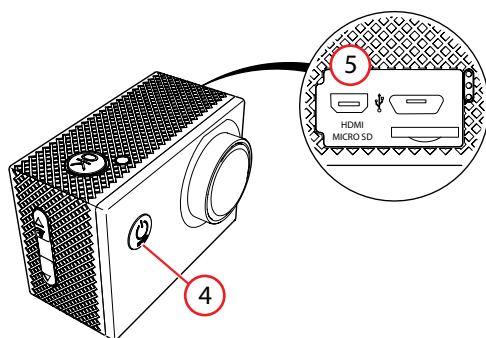
### Storage mode

View and export videos and photos.

### PC Camera Mode

Charging via USB to computer system

## 5.11 Make an HDMI connection with the television



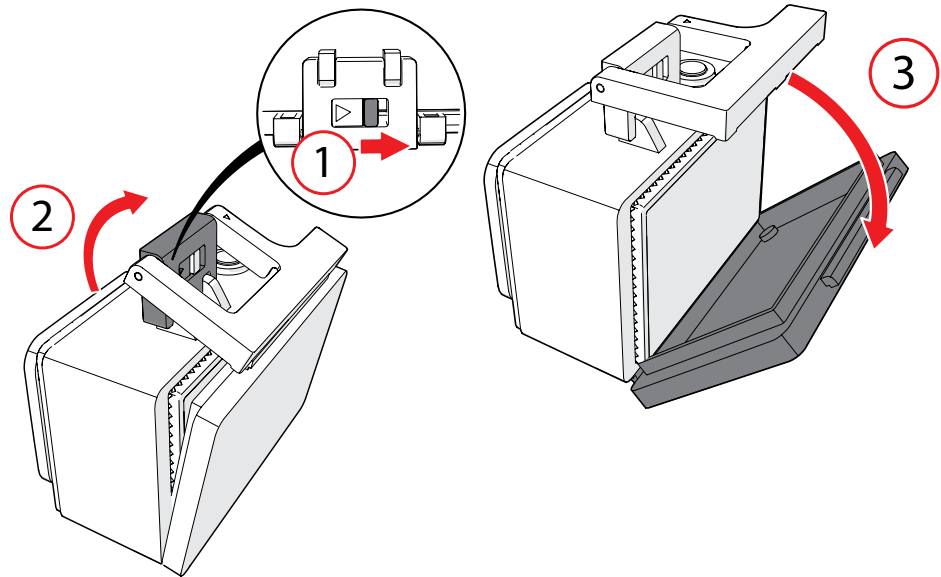
- Keep key MODE (4) pressed for 2 seconds
- The device has now been turned on.
- Insert the mini HDMI cable (5) (not included) in the actioncam and connect the actioncam with the television.
- Turn the device and the television on.
- Select the television on the desired source input (see the manual of the television).
- Perform the steps as described on the television screen.

## 6 Accessories

---

### 6.1 Place the camera in the waterproof case

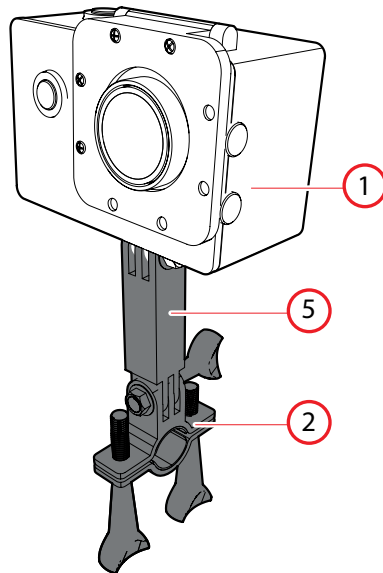
- ⚠** The delivered package also contains an extra cover for the waterproof case. If the waterproof case does not function properly, you can change the cover.





## 6.2 Mount the camera on your bike

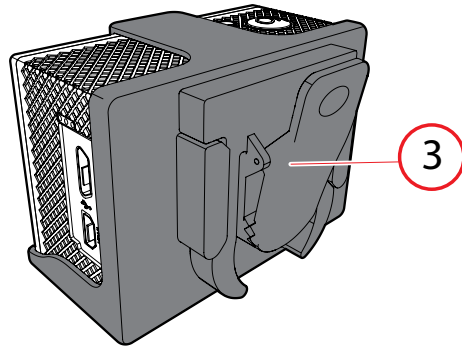
You can mount the actioncam on your bike. Only use the supplied accessories.





### 6.3 Attach the camera with the clip

You can mount the camera on your belt (for example). Only use the supplied accessories.



## 7 Technical specifications

---

- Picture formats: JPEG (4:3)
- LCD Display 1.5" LCD (3.8 cm),
- Voltage: 5V/1A
- Resolution of videos recorded: 720P/VGA
- Image sensor: H42
- Viewing angle: 120°
- External memory: Micro SD (TF) max. 32 GB
- Connectivity: HDMI and Micro USB2.0.
- Battery: 3.7V Li-ion, 900MAH, 3.33Wh
- Housing is waterproof till 30 m
- Lens: 3 megapixel HD wide-angle lens
- Video formats: AVI
- Video compressed: MJPEG
- LED red: Power is switched on
- LED green: Product is charging
- Resolution of photos: 12M, 10M, 8M, 5M, 3M, 2MHD, 1.3M, VGA
- Charging time (hours): 3
- Language: English, Simplified Chinese, Traditional Chinese, Russian, French, German, Italian, Spanish and Japanese.
- OS of working: Windows XP/7/8 SP3/Vista and Mac 10.5 or above
- Dimensions main unit: 59 x 41 x 29 mm
- Weight: 62gr gr
- Working range: -10°C - +55°C
- Temperature for storage: -20°C - +70°C
- Relative humidity: 5% 95% No frost

## 8 Cleaning and maintenance

---

- ⚠ Do not dry the camera or battery with an external heat source such as a microwave oven or hair dryer.
  
- ⚠ The rubber seal that lines the camera housing forms a waterproof barrier that protects the appliance in wet and underwater conditions. Keep the appliance housing's rubber seal clean. A single hair or grain of sand can cause a leak and damage your camera.
  
- If you do not use the appliance for an extended period, remove the batteries.
- Clean the lens with a camera lens brush/blower (not included) if the lens is dirty.
- Clean the outside of the appliance with a soft cloth.
- After every use in salt water, rinse the outside of the camera housing with non-salt water and dry. Not doing this can eventually cause corrosion of the hinge pin and salt buildup in the seal, which can damage the camera housing.

## 9 Disposal of used electric and electronic equipment

---



The meaning of the symbol on the material, its accessory or packaging indicates that this product shall not be treated as household waste. Please, dispose of this equipment at your applicable collection point for the recycling of electrical and electronic equipments waste. In the European Union and Other European countries which there are separate collection systems for used electrical and electronic product. By ensuring the correct disposal of this product, you will help prevent potentially hazardous to the environment and to human health, which could otherwise be caused by unsuitable waste handling of this product. The recycling of materials will help conserve natural resources. Please do not therefore dispose of your old electrical and electronic equipment with your household waste.

For more detailed information about recycling of this product, please contact your local city office, your household waste disposal service or the shop where you purchased the product.