

## NIKKEI Turntables Photo Instructions

All photos must be taken off the fully installed product:

- Placed NIKKEI Slip Mat
- Mounted headpiece
- Mounted hood

### NTT01U

Current pictures:

Picture 1: Front perspective at 40 degrees with open hood + mounted headpiece



Picture 2: Front left perspective 40 degrees with open hood + mounted headpiece



Picture 3: Front right perspective 40 degrees with closed hood+ mounted headpiece



Picture 4: Front right perspective 40 degrees close-up on headpiece and switches



Picture 5: Front right perspective 40 degrees with fully opened hood and mounted headpiece



Picture 6: Front right perspective 40 degrees close-up on headpiece



Picture7: Front right perspective 40 degrees close-up on front right



Missing pictures NTT01U:

- Top view picture



- (In use picture)



## NTT05U

Current pictures:

Picture 1: Front perspective 40 degrees with open hood, mounted headpiece (place don slipmat. Must be changed because doesn't make any sense)



Picture 2: Front view perspective 40 degrees with open hood and missing mounted headpiece



Picture 3: Front perspective at 40 degrees with open hood + placed I.p. (missing mounted headpiece!!)



Picture 4: Front right perspective 40 degrees with closed hood



Picture 5: Front right perspective 40 degrees with open hood and place l.p. (headpiece is not mounted!, must be changed)



Picture 6: Front right perspective unknown angle, close up. This photo is not usefull and must be removed



Picture 7: Front left perspective, close up on start/stop button (not sure it this picture is usefull)

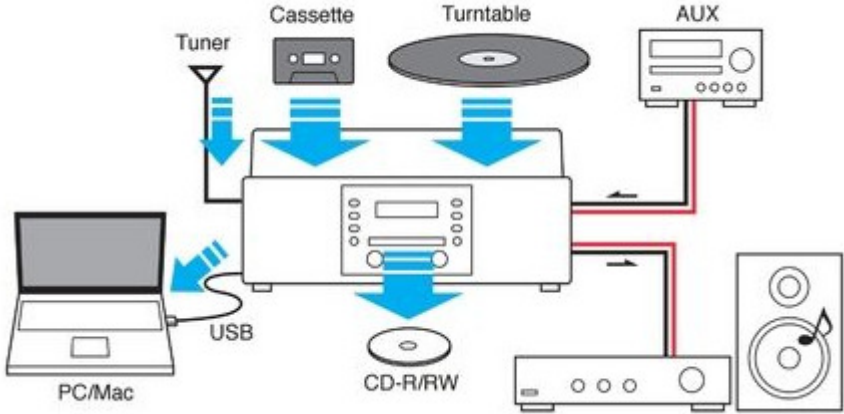


Missing pictures NTT05U:

- Top view picture



- Detailed animation about USB encoding





- (In use picture)



## NTT15U

Current pictures:

Picture 1: Front left perspective 40 degrees with open hood + mounted headpiece



Picture 2: Front right perspective 40 degrees with closed hood+ mounted headpiece



Picture 3: Front right perspective 40 degrees with hood fully open+ mounted headpiece



Picture 4: Back view with closed hood where the portals are shown



Picture 5: Detailed photo of the tone arm and detachable head piece



Missing pictures NTT15U:

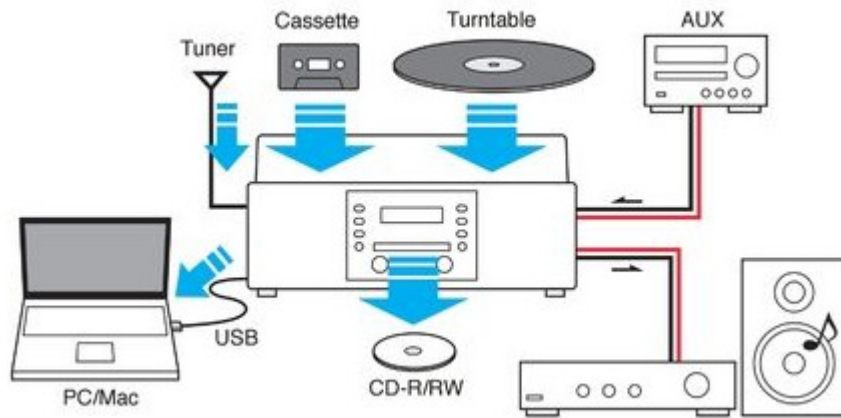
- Top view picture



- Front view picture at 40 degrees with open hood+ mounted headpiece (like ATT01)



- Detailed animation about USB encoding



- (In use picture)

