

Road X2 Dashcam

USER MANUAL

EN



Table of contents




1	Intended use	3
2	Safety	4
2.1	Labels in this manual	4
2.2	General safety instructions	4
3	Preparations for use	6
3.1	Unpacking	6
3.2	Package contents	6
4	Functions	7
4.1	Main components	7
4.2	Explanation of the icons on the display	8
5	Installation	9
5.1	Installing the dashboard camera	9
5.1	Memory Card: Placement and access	10
6	Usage	11
6.1	Turning the dashboard camera on or off	11
6.2	Starting a movie recording	11
6.3	Take a photo	11
6.4	Play	12
6.5	Settings	12
6.6	Connecting a USB to a computer	18
7	Cleaning and maintenance	19
8	Technical specifications	20
9	Disposal of used electric and electronic equipment	21

1 Intended use

The Road X2 is an advanced dashboard camera with a wide angle of view that can be mounted on the dashboard or the windscreen of your car. The product captures the traffic conditions in photos and movies, both during the day and at night. Using the built-in motion sensor, the product automatically starts filming when motion is detected. The footage can be viewed via the screen or on a computer. The product is intended for consumer use, not for professional use.



2 Safety

2.1 Labels in this manual







-  **WARNING** A warning means that injury is possible if the instructions are not obeyed.
-  **CAUTION** A caution means that damage to the equipment is possible.
-  A note gives additional information, e.g. for a procedure.

2.2 General safety instructions

General

-  To prevent damage or malfunctions: Please take time and read the general safety instructions. This will avoid fire, explosions, electric shocks or other hazards that may result in damage to property and/or severe or fatal injuries.
-  The manufacturer is not liable for cases of material damage or personal injury caused by incorrect handling or non compliance with the safety instructions. In such cases, the warranty will be voided.

WARNING

-  Do not operate or adjust the product while driving. This may cause accidents. Stop or park your car in a safe place before installing and adjusting the dashboard camera.
-  Do not place the dashboard camera where it may obstruct the driver's field of vision. This may cause accidents.
-  Do not put force on the appliance.
-  Only use original accessories from the manufacturer.
-  Do not spill any liquid on the appliance.
-  Do not insert any objects in the ventilation holes.

- ⚠ Do not block the ventilation holes.
- ⚠ Never leave children unattended with the packaging material. The packaging material represents a danger of suffocation. Children frequently underestimate the danger. Always keep children away from the packaging material.

CAUTION

- ⚠ Clean the outside of the appliance with a soft cloth. When the appliance is very dirty, dampen the cloth slightly with water and a neutral solution.
- ⚠ Do not put the appliance near a heat source. This could damage the appliance.
- ⚠ Check the product, cable and (if applicable) adapter for any damage before use. If there is any visible damage, strong odour, or excessive overheating of components, unplug the product.
- ⚠ The camera contains sensitive components, including the battery. Avoid exposing your camera and battery to very cold or very hot temperatures. Low or high temperature conditions may temporarily shorten the battery life or cause the camera to temporarily stop working properly. Avoid dramatic changes in temperature or humidity when using the camera, as condensation may form on or within the camera.

Remarks

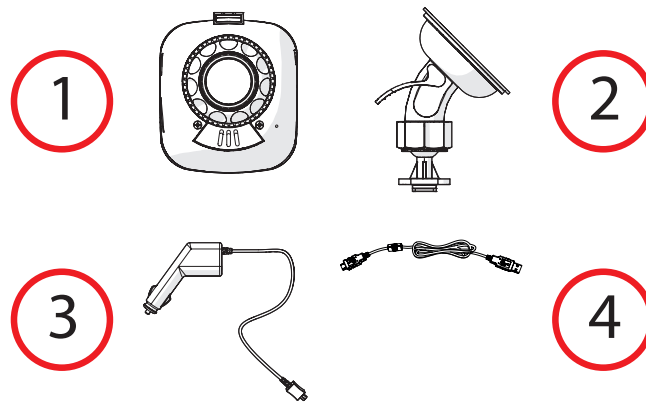
- ⚠ **WARNING** It is not permitted to open the product yourself or to have it opened, neither is it permitted to repair the product yourself or to have it repaired. This will void the warranties. Please let any maintenance be carried out by certified maintenance personnel.

3 Preparations for use

3.1 Unpacking

- Unpack the appliance carefully.
- Check the package contents as described below. If any item is missing, please contact your reseller.
- We recommend that you retain the original carton and packaging materials in case it ever becomes necessary to return your product for service. This is the only way to safely protect the product against damage in transit. If you do dispose of the carton and the packaging materials, please remember to recycle with due care to the environment.

3.2 Package contents

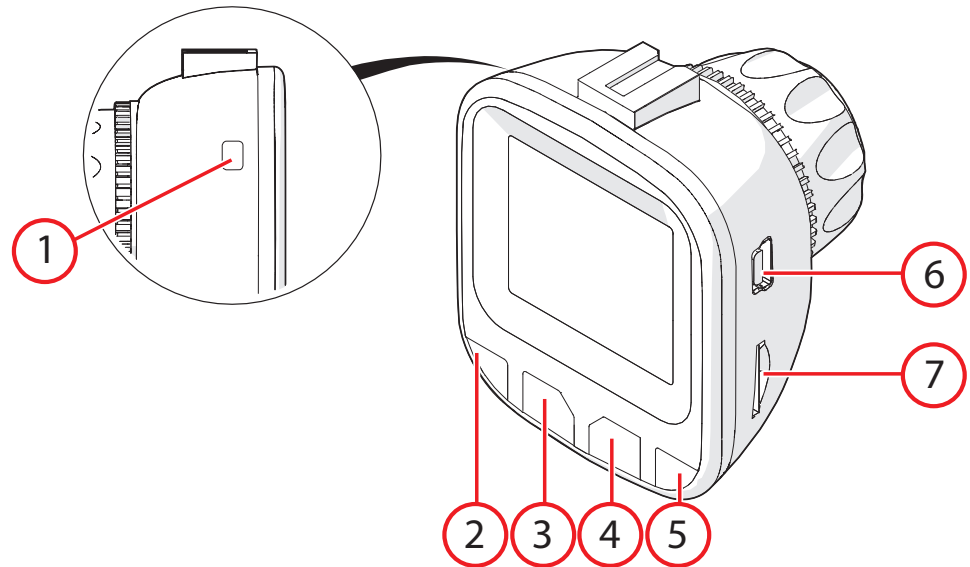


The following items are included in the received package:

1. Dashboard camera
2. Micro USB cable
3. Car charger
4. Holder with suction cup
5. Quick start guide
6. Safety instructions

4 Functions

4.1 Main components

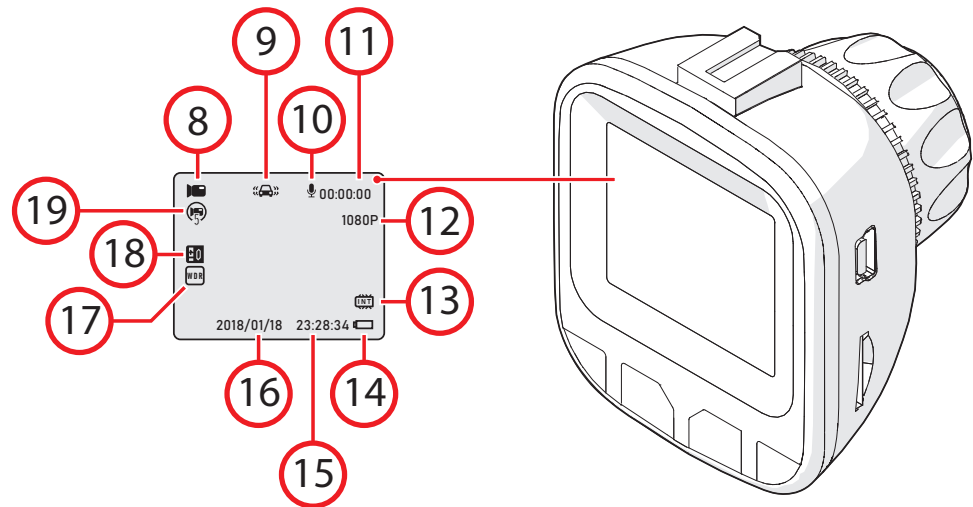


Dashboard camera

1. Multifunction button
2. Mode button
3. Up button
4. Down button
5. Menu button
6. Micro USB connection
7. Slot-in for micro SD card

4.2 Explanation of the icons on the display

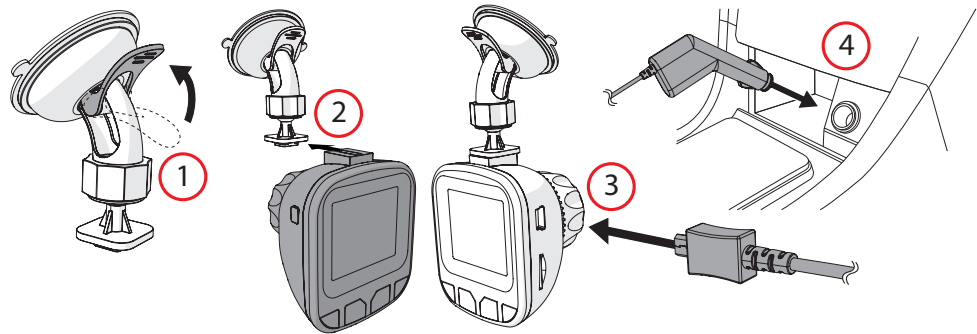
You can see the following on the dashboard camera display:



8. Mode: Film, photo or playback
9. Built-in motion sensor is on or off
10. Microphone is on or off
11. Recording time
12. Recording resolution
13. Status of the micro SD card input
14. Battery status
15. Time
16. Date
17. WDR (Wide Dynamic Range) is on or off
18. Exposure value
19. Loop recording is on or off

5 Installation

5.1 Installing the dashboard camera



1. Place the holder with suction cup on the windscreen of the car.

⚠ Do not place the dashboard camera where it may obstruct the driver's field of vision. This may cause accidents.

2. Slide the dashboard camera into the holder.

3. Connect the dashboard camera on the side using the micro USB cable.

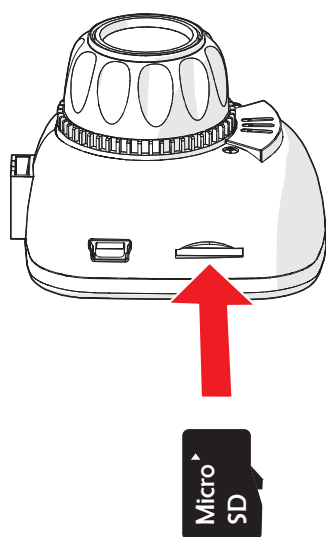
4. Insert the micro USB cable into the cigarette lighter socket.

⚠ Do not operate or adjust the product while driving. This may cause accidents. Stop or park your car in a safe place before installing and adjusting the dashboard camera.

i Use the corners of the windscreen finish to conceal the micro USB cable.

5.1 Memory Card: Placement and access

- i** Due to the great variety of products with external memory connection (USB, SD/MMC, etc.) and their sometimes quite manufacturer-specific functions we can neither guarantee that all devices will be recognised, nor that all operating options that are possible in theory will actually work.

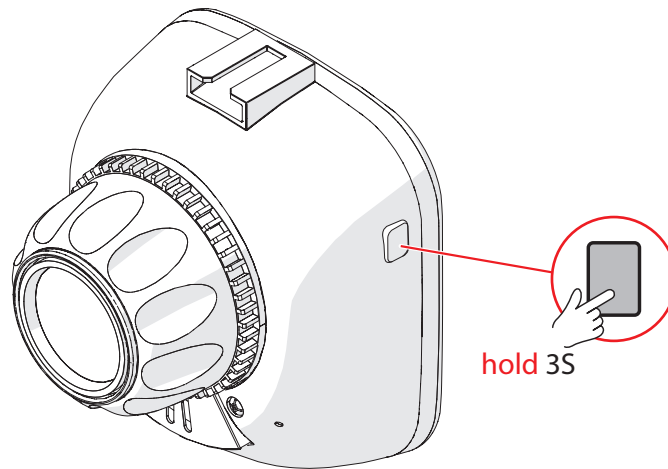


1. Insert the memory card into the Micro SD card slot.

- i** Memory card max. 32 Gb.

6 Usage

6.1 Turning the dashboard camera on or off



- Keep the Multifunction button pressed for 3 seconds.
- The dashboard camera screen turns on.
- The device has now been turned on.
- Keep the Multifunction button pressed for another 3 seconds to turn off the dashboard camera.

i When starting or turning off your car, the dashboard camera automatically turns on or off.

6.2 Starting a movie recording

i The dashboard camera starts up in a movie mode.

- Press repeatedly on the Mode button until you reach the movie mode.
- Press on Multifunction button to start a movie recording.
- Use the Up and Down buttons to zoom in and zoom out.
- Press the Multifunction button again to stop filming. The movie recording has now been saved.

6.3 Take a photo

- Press repeatedly on the Mode button until you reach the photo mode.
- Use the Up and Down buttons to zoom in and zoom out.
- Press Multifunction button to take a photo.

6.4 Play

- Press repeatedly on the Mode button until you reach the playback mode. You can view the recorded movie recordings and photos here.
- Use the Up and Down buttons to browse through the map.
- Press the Multifunction button to play back movie recordings or view pictures.

6.5 Settings

Movie recording settings

i The dashboard camera starts up in a movie mode.

- Press repeatedly on the Mode button until you reach the movie mode.
- Press the Menu button.
- Use the Up and Down buttons to navigate through the menu.
- Press the Multifunction button to confirm your selection.

6.5.1 Resolution

Select the resolution of the movie recording. "1080 FHD" means, for example, that the dashboard camera is recording in Full HD.

i A high resolution will increase the size of the video files.

10 FHD (1920x1080), 1080P (1440x1080), 720P (1280x720), WVGA (848x480), VGA (640x480)

6.5.2 Loop Recording

A loop recording allows you to record a movie continuously, but only save the most recent movie.

You can set the number of minutes to be saved.

Off, 1 Minute, 3 Minutes or 5 Minutes

6.5.3 WDR

Wide Dynamic Range improves image quality with large differences between light and dark areas.

On or Off

6.5.4 EV

The exposure value sets the appropriate exposure level to adjust the brightness of the image.

+2/4, +1/4, +0.1, -1/4, -1.1, -4/4, -5/4 of -2.1

6.5.5 Motion Detection

Using the built-in motion sensor, the dashboard camera automatically starts filming when motion is detected.

On or Off

6.5.6 Audio

Turning the microphone on or off.

On or Off

6.5.7 Date Stamp

Add a date stamp to the movie or photo.

On or Off

6.5.8 Gsensor

Change the sensitivity of the motion sensor.

Off, Low, Medium or High

6.5.9 Button Sound

Turning the button sound on or off.

On or Off

6.5.10 Registration number

Enter the registration number.

Use the Mode key to navigate within the menu. Use the Up and Down buttons to select a digit or letter. Confirm your selection with the Multifunction button.

Settings for photos

- Press repeatedly on the Mode button until you reach the photo mode.
- Press the Menu button.
- Use the Up and Down buttons to navigate through the menu.
- Press the Multifunction button to confirm your selection.

6.5.11 Timer

There are four different recording modes.

Single, 2S Timer, 5S Timer, 10S Timer

6.5.12 Resolution

Select the resolution of the image.

i A high resolution will increase the size of the image files.

12M (4032x3025), 10M (3648x2737), 8M (3264x2449), 5M (2592x1945), 3M (2048x1537), 2MHD (1920x1081), VGA (640x481), 1.3M (1280x961)

6.5.13 Sequence

The dashboard camera takes a series of five photos.

On or Off

6.5.14 Quality

Select the image quality of the image.

i A high image quality will increase the size of the image files.

Fine, Normal or Economy

6.5.15 Sharpness

Select the sharpness of the image.

Strong, Normal or Soft

6.5.16 White Balance

The white balance determines the colour temperature of the picture.

Auto, Daylight, Cloudy, Tungsten or Fluorescent

6.5.17 Color

Select the colour of the image.

Normal, Black & White or Sepia

6.5.18 EV

The exposure value sets the appropriate exposure level to adjust the brightness of the image.

+2/4, +1/4, +0.1, -1/4, -1.1, -4/4, -5/4 of -2.1

6.5.19 ISO

The light sensitivity determines how fast the dashboard camera reacts to the light that falls on the sensor through the camera lens. Usually, the less light, the higher the light sensitivity to take sharp photos.

Auto, 100, 200 of 400

6.5.20 Anti-Shaking

Set anti-shaking to compensate for unwanted motion blur.

On or Off

6.5.21 Quick Review

Select the length of time to display a photo taken on the dashboard camera display.

Off, 2 Seconds or 4 Seconds

6.5.22 Date Stamp

Add a date stamp to the movie or photo.

Off, date or date/time

Playback settings

6.5.23 Delete

To delete a photo or movie recording: use the Up and Down buttons to select a photo or movie recording and press the Menu button. Use the Down button to select option "Delete current" and confirm with the Multifunction button.

6.5.24 Protect

Protecting a photo or movie recording: use the Up and Down buttons to select whether you want to protect the current or all photos and movie recordings. Confirm your selection with the Multifunction button.

6.5.25 Volume

0 to 8

System settings

i You can access the system settings from any mode.

- Press the Menu button twice.
- Use the Up and Down buttons to navigate through the menu.
- Press the Multifunction button to confirm your selection.

6.5.26 Set Date/Time

Here you can set the date and time.

Use the Multifunction key to navigate within the menu. Use the Up and Down buttons to select a digit or letter. Confirm your selection with the Multifunction button.

6.5.27 Auto Power Off

Here you can set auto power off.

0, 2, 5 and 10 minutes

6.5.28 Language

You can set the language here.

English, French, Spanish, German, Russian, Dutch, Italian, Polish.

6.5.29 Light Frequency

Here you can set the frequency.

50 Hz or 60 Hz

6.5.30 Screen Saver

Set screen saver.

Off, 1 Minute, 3 Minutes or 5 Minutes

6.5.31 Light Set

Set night mode.

On or Off

6.5.32 Image Rotate

Turn the image of the dashboard camera.

On or Off

6.5.33 Format

Here you can format the memory card. All data will be deleted.

OK or Cancel

6.5.34 Default Setting

The camera settings will be reset to the factory settings.

OK or Cancel

6.5.35 Firmware Version

Displays the installed software version.

6.6 Connecting a USB to a computer

- Insert the USB cable into the camera and the computer.
- You can choose the following options:

USB Mode

View and export movie recordings and photos.

PC Camera Mode

Use the dashboard camera as a webcam (computer and/or software-dependent).

7 Cleaning and maintenance

- Clean regularly with a soft, clean, dry cloth. Avoid abrasives that can damage the surface.
- Do not use aggressive chemical cleaning agents such as ammonia, acid or acetone when cleaning the product.

8 Technical specifications

- Model number:
- Dimensions:
- Weight:
- Memory: Micro SD card (Max. 32 Gb)
- Sensor: NTK96223 + GC1024
- Viewing angle: 140°
- Resolution of videos recorded: 1080 FHD (1920x1080), 1080P (1440x1080), 720P (1280x720), WVGA (848x480), VGA (640x480)
- Resolution of photos: 12M (4032x3025), 10M (3648x2737), 8M (3264x2449), 5M (2592x1945), 3M (2048x1537), 2MHD (1920x1081), VGA (640x481), 1.3M (1280x961)
- Input power:
- Battery capacity: 180 mAh
- Working range: -10°C - +55°C
- Temperature for storage: -20°C - +70°C
- Relative humidity:
- Software: Windows 98/ME/XP/Vista/7 Mac OS/Linux

9 Disposal of used electric and electronic equipment



The meaning of the symbol on the material, its accessory or packaging indicates that this product shall not be treated as household waste. Please, dispose of this equipment at your applicable collection point for the recycling of electrical and electronic equipments waste. In the European Union and other European countries which there are separate collection systems for used electrical and electronic product. By ensuring the correct disposal of this product, you will help prevent potentially hazardous to the environment and to human health, which could otherwise be caused by unsuitable waste handling of this product. The recycling of materials will help conserve natural resources. Please do not therefore dispose of your old electrical and electronic equipment with your household waste.

For more detailed information about recycling of this product, please contact your local city office, your household waste disposal service or the shop where you purchased the product.