

Quickstart guide

NEXAIR6AT
Air Compressor

NIKKEI



- EN For more information see www.nikkei.eu
- NL Voor meer informatie zie www.nikkei.eu
- D Für weitere Informationen siehe www.nikkei.eu
- F Pour plus d'informations, veuillez consulter le site www.nikkei.eu
- E Para más información, visite www.nikkei.eu
- DK For mere information besøg www.nikkei.eu
- FI Lisätietoja löydät osoitteesta www.nikkei.eu



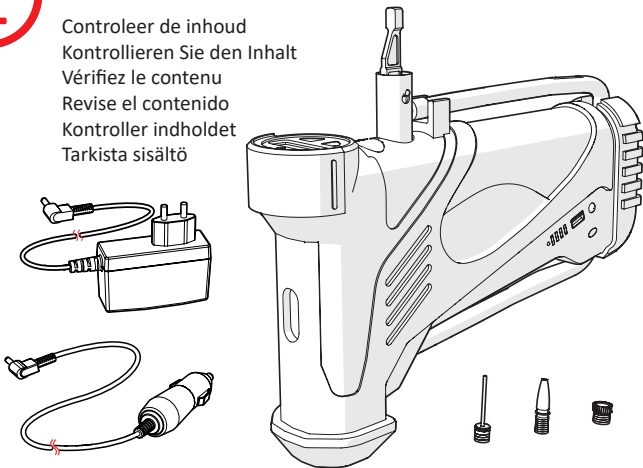
1 Follow the safety instructions

Volg de veiligheidsvoorschriften. Befolgen Sie die Sicherheitshinweise. Suivez les instructions de sécurité. Siga las instrucciones de seguridad. Følg sikkerhedsinstruktionerne. Noudata turvallisuuohjeita.

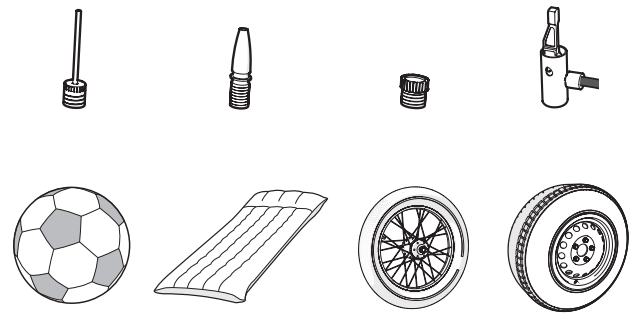
- | | | | | | | |
|---|---|--|--|--|---|---|
| <p>EN</p> <ul style="list-style-type: none"> ⚠ Always wear eye protective equipment. ⚠ When inflating, do not exceed the pressure recommended by the manufacturer. ⚠ Be aware that some parts of the device may become hot. | <p>NL</p> <ul style="list-style-type: none"> ⚠ Draag altijd oogbescherming. Overschrijd de aanbevolen druk van de fabrikant niet bij het oppompen. ⚠ Houd er rekening mee dat sommige delen van het apparaat heet kunnen worden. | <p>D</p> <ul style="list-style-type: none"> ⚠ Always wear eye protective equipment. ⚠ When inflating, do not exceed the pressure recommended by the manufacturer. ⚠ Be aware that some parts of the device may become hot. | <p>F</p> <ul style="list-style-type: none"> ⚠ Always wear eye protective equipment. ⚠ When inflating, do not exceed the pressure recommended by the manufacturer. ⚠ Be aware that some parts of the device may become hot. | <p>E</p> <ul style="list-style-type: none"> ⚠ Always wear eye protective equipment. ⚠ When inflating, do not exceed the pressure recommended by the manufacturer. ⚠ Be aware that some parts of the device may become hot. | <p>DK</p> <ul style="list-style-type: none"> ⚠ Always wear eye protective equipment. ⚠ When inflating, do not exceed the pressure recommended by the manufacturer. ⚠ Be aware that some parts of the device may become hot. | <p>FI</p> <ul style="list-style-type: none"> ⚠ Always wear eye protective equipment. ⚠ When inflating, do not exceed the pressure recommended by the manufacturer. ⚠ Be aware that some parts of the device may become hot. |
|---|---|--|--|--|---|---|

2 Check the contents

Controleer de inhoud
Kontrollieren Sie den Inhalt
Vérifiez le contenu
Revise el contenido
Kontroller indholdet
Tarkista sisältö

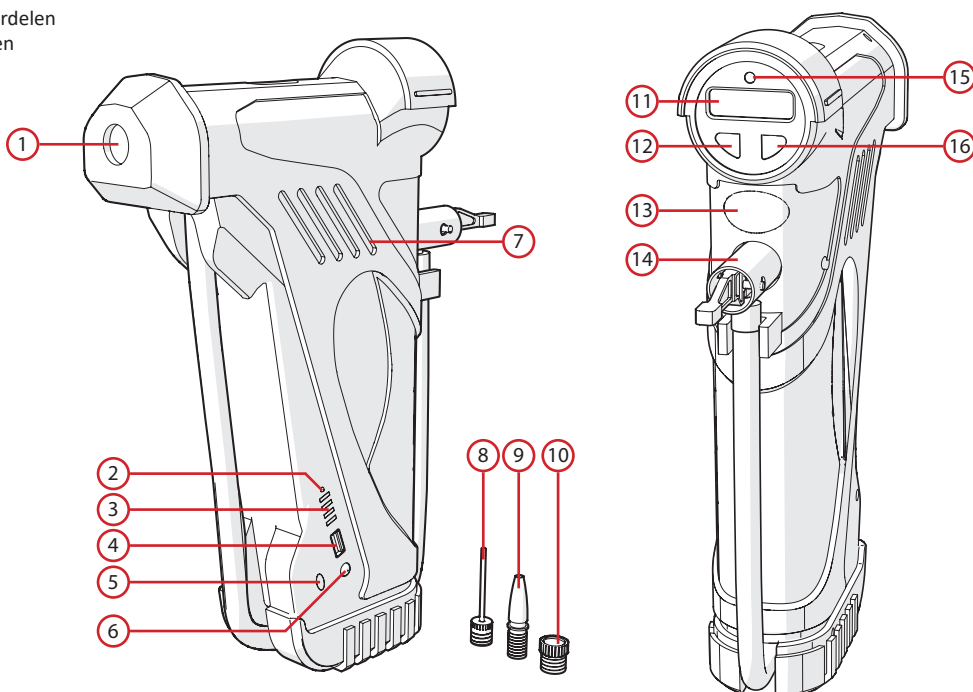


3 Use of adapters



4 Main parts

Belangrijkste onderdelen
Hauptkomponenten
Pièces principales
Partes principales
Hoveddele
Pääosat



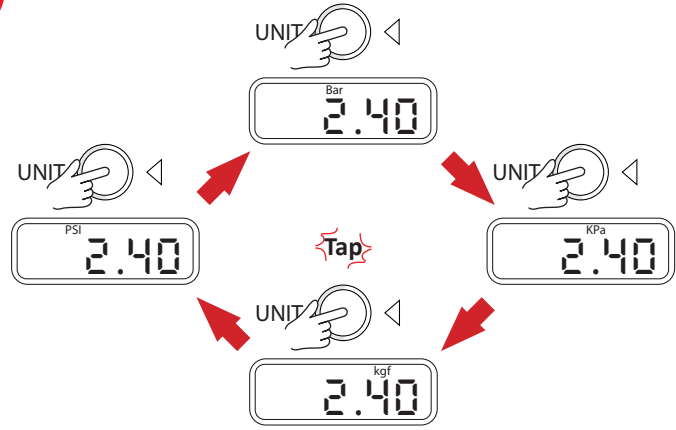
1	FLASH LIGHT
2	FAULT INDICATOR
3	BATTERY LEVEL INDICATOR
4	USB OUTPUT
5	USB CHARGING / FLASH LIGHT BUTTON
6	CHARGING CONNECTOR
7	VENTILATION SLOT
8	BALL ADAPTER
9	AIRBED ADAPTER
10	BIKE TYRE ADAPTER
11	DISPLAY
12	DOWN
13	ON/OFF
14	VALVE ADAPTOR
15	UNIT BUTTON
16	UP

5 Charge the device

Laad het apparaat op
Das Gerät laden
Charger l'appareil
Cargar el dispositivo
Oplad enheden
Lataa laite

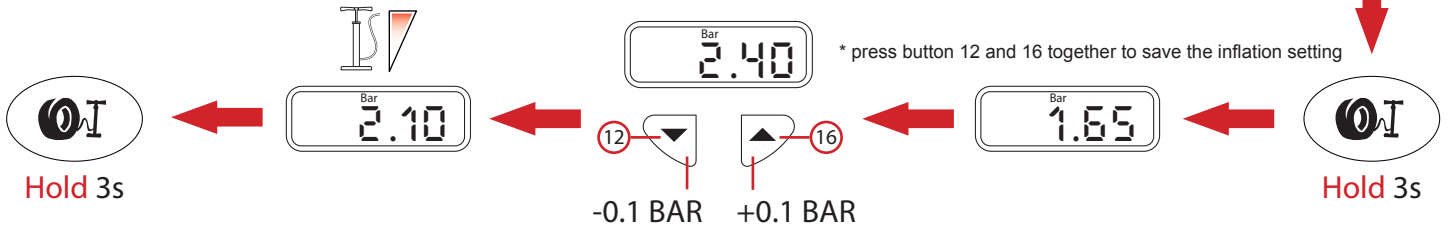
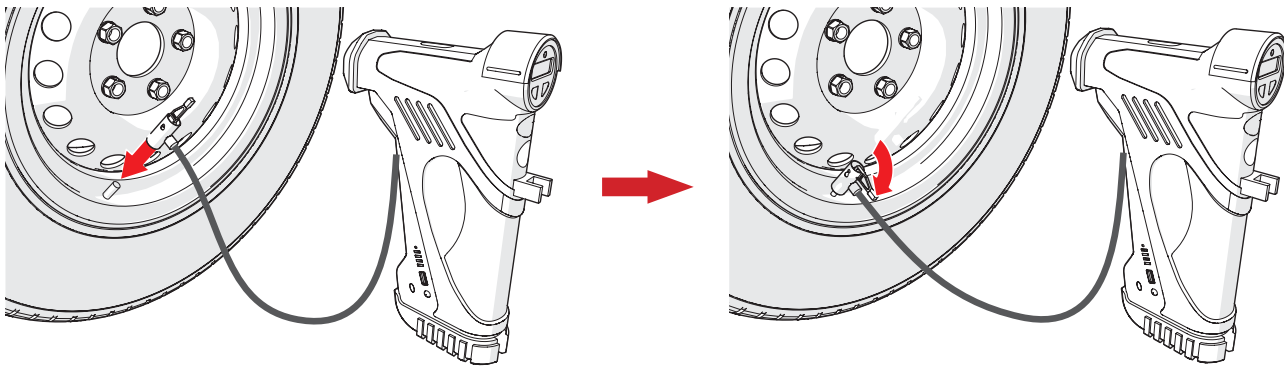


6 Set the units



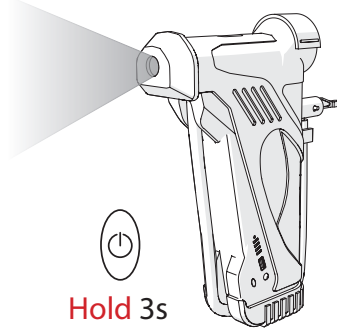
7 Inflation

Oppompen
Aufpumpen
Gonfler
Inflar
Pumpe
Pumppu



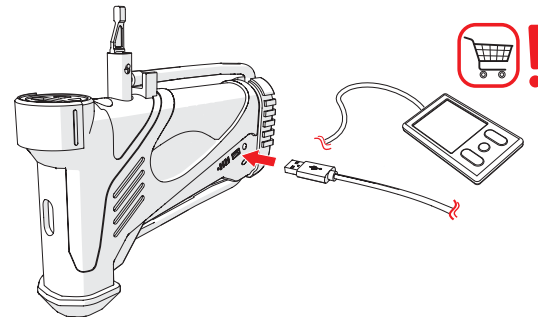
8 Flashlight

Zaklamp
Taschenlampe
Lampe de poche
Flash
Lommelygte
Taskulamppu



9 USB Charger

Usb oplader
USB-Ladegerät
Chargeur USB
Cargador usb
USB oplader
USB-laturi



Specifications

Specificaties

Technische Daten

Spécifications

Especificaciones

Spesifikationer

Tekniset tiedot

Battery capacity:
2000 mAh
Charging Voltage:
13 to 30 VDC
Max. pressure: 150 PSI
USB Output: 5 VDC 2A

Batterij capaciteit:
2000 mAh
Laadspanning:
13 tot 30 VDC
Max. druk: 150 PSI
USB Output: 5 VDC 2A

Batteriekapazität:
2000 mAh
Ladespannung:
13 bis 30 VDC
Max. druck: 150 PSI
USB Output: 5 VDC 2A

Capacité de la batterie:
2000 mAh
Tension de charge:
13 à 30 VDC
Max. pression: 150 PSI
USB Output: 5 VDC 2A

Capacidad de la batería:
2000 mAh
Voltaje de carga:
13 a 30 VDC
Max. presión: 150 PSI
USB Output: 5 VDC 2A

Batterikapacitet:
2000 mAh
Opladningsspænding:
13 til 30 VDC
Maks. pressurep: 150 PSI
USB Output: 5 VDC 2A

Akun kapasiteetti:
2000 mAh
Latausjännite:
13 - 30 VDC
Max. pressurep: 150 PSI
USB Output: 5 VDC 2A

Weight: 900 g
Dimensions:
145 x 238 x 45 mm
Warranty: 24 months

Gewicht: 900 g
Afmetingen:
145 x 238 x 45 mm
Garantie: 24 months

Gewicht: 900 g
Abmessungen:
145 x 238 x 45 mm
Garantie: 24 months

Poids: 900 g
Dimensions:
145 x 238 x 45 mm
Garantie: 24 months

Peso: 900 g
Dimensiones:
145 x 238 x 45 mm
Garantía: 24 months

Vægt: 900 g
Dimensioner:
145 x 238 x 45 mm
Garanti: 24 months

Paino: 900 g
Mitat:
145 x 238 x 45 mm
Takuu: 24 months