

Extreme X8S Actioncam

USER MANUAL

EN




Content

1	Intended use	3
2	Safety	4
2.1	Labels in this manual	4
2.2	General safety instructions	4
3	Preparations for use	7
3.1	Unpacking	7
3.2	Package contents	8
3.3	Charge the battery	9
4	Functions	10
4.1	Main components	10
4.2	Explanation of the icons on the display	11
4.3	Explanation of the icons in the control program	11
5	Usage	12
5.1	Memory Card: Placement and access	12
5.2	Using the on/off button	12
5.3	Factory Settings	13
5.4	Start filming	13
5.5	Make a photo	14
5.6	Start "SLOW" filming	14
5.7	Play	15
5.8	Settings	15
5.9	Remove the battery	17
5.10	Connecting a USB to a computer	18
5.11	Make an HDMI connection with the television	19
6	Managing your camera using your smartphone	20
6.1	View your camera image on your mobile	20
6.2	Place the camera in the waterproof case	20
6.3	Mount the camera on the helmet	21
6.4	Mount the camera on your bike	21
6.5	Attach the camera with the clip	22
7	Cleaning and maintenance	23
8	Technical specifications	24
9	Disposal of used electric and electronic equipment	25




1 Intended use

This device is an actioncam for taking pictures and recording videos. With the included accessories you can attach the device to your bike, helmet or belt, for example. The actioncam may not be exposed to splashing or dripping water without the waterproof case. The device can also be operated by using the Be ExtremeX App on your smartphone and the supplied remote control. The device is intended for consumer use, not for professional use.

 Due the wide variety of products with USB ports, mobile devices and their manufacturer-specific functions we cannot guarantee that all devices will be recognized or all operating options can function.




2 Safety

2.1 Labels in this manual







-  **WARNING** A warning means that injury is possible if the instructions are not obeyed.
-  **CAUTION** A caution means that damage to the equipment is possible.
-  A note gives additional information, e.g. for a procedure.

2.2 General safety instructions

General

-  To prevent damage or malfunctions: Please take time and read the general safety instructions. This will avoid fire, explosions, electric shocks or other hazards that may result in damage to property and/or severe or fatal injuries.
-  The manufacturer is not liable for cases of material damage or personal injury caused by incorrect handling or non compliance with the safety instructions. In such cases, the warranty will be voided.
-  Do not operate the device during driving.

WARNING

-  Do not put force on the appliance.
-  Always check that the mains voltage corresponds to the voltage on the rating plate.
-  Only use original accessories from the manufacturer.
-  Do not spill any liquid on the appliance.
-  Do not insert any objects in the ventilation holes.
-  Do not block the ventilation holes.

- ⚠ Never leave children unattended with the packaging material. The packaging material represents a danger of suffocation. Children frequently underestimate the danger. Always keep children away from the packaging material.
- ⚠ It is not permitted to open the product yourself or to have it opened, neither is it permitted to repair the product yourself or to have it repaired. This will void the warranties. Please let any maintenance be carried out by certified maintenance personnel.

CAUTION

- ⚠ Clean the outside of the appliance with a soft cloth. When the appliance is very dirty, dampen the cloth slightly with water and a neutral solution.
- ⚠ Do not put the appliance near a heat source. This could damage the appliance.
- ⚠ Do not expose the appliance to direct sunlight.
- ⚠ If your product runs on batteries: Incorrect installation can cause battery leakage and corrosion which will damage the appliance. Corrosion, oxidation, battery leakage and any other gradually acidic defect of this nature will invalidate the guarantee.
- ⚠ Check the product, cable and (if applicable) adapter for any damage before use. If there is any visible damage, strong odour, or excessive overheating of components, unplug the product.
- ⚠ Always secure the camera in its housing when using the camera in or around water. Do not get the camera or the battery wet. The camera is not waterproof.
- ⚠ The rubber seal that lines the camera housing forms a waterproof barrier that protects the appliance in wet and underwater conditions. Keep the appliance housing's rubber seal clean. A single hair or grain of sand can cause a leak and damage your camera.

- ⚠ After every use in salt water, rinse the outside of the camera housing with non-salt water and dry. Not doing this can eventually cause corrosion of the hinge pin and salt buildup in the seal, which can damage the camera housing.

- ⚠ The camera contains sensitive components, including the battery. Avoid exposing your camera and battery to very cold or very hot temperatures. Low or high temperature conditions may temporarily shorten the battery life or cause the camera to temporarily stop working properly. Avoid dramatic changes in temperature or humidity when using the camera, as condensation may form on or within the camera.

- ⚠ Do not dry the camera or battery with an external heat source such as a microwave oven or hair dryer.

Remarks

- ⚠ **WARNING** It is not permitted to open the product yourself or to have it opened, neither is it permitted to repair the product yourself or to have it repaired. This will void the warranties. Please let any maintenance be carried out by certified maintenance personnel.

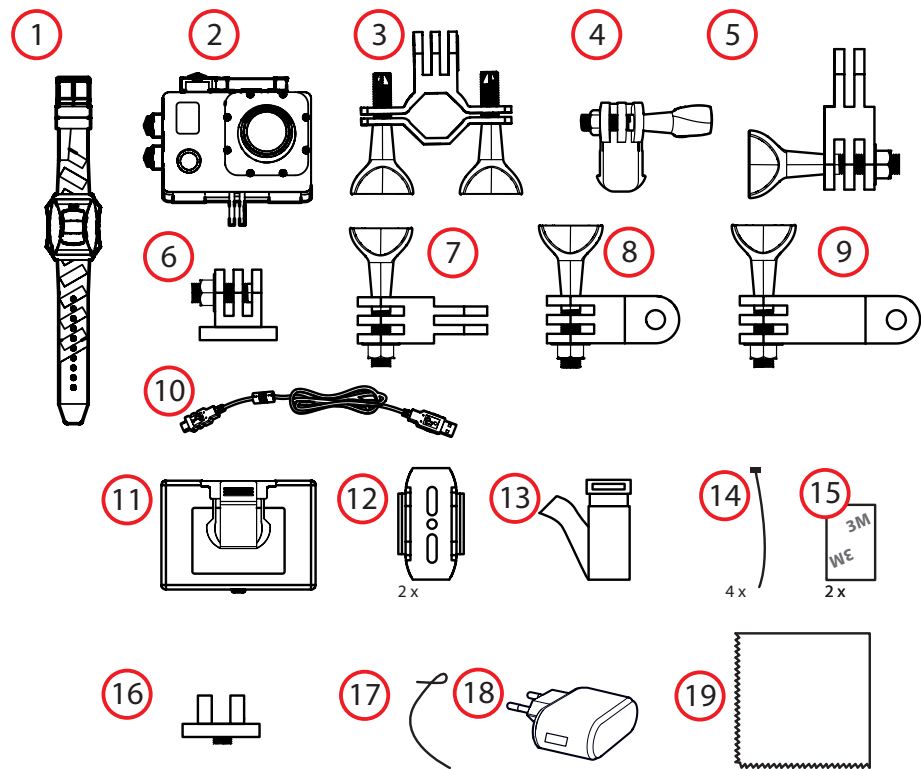
- ⚠ **WARNING** Only use original accessories from the manufacturer.

3 Preparations for use

3.1 Unpacking

- Unpack the appliance carefully.
- Check the package contents as described below. If any item is missing, please contact your reseller.
- We recommend that you retain the original carton and packaging materials in case it ever becomes necessary to return your product for service. This is the only way to safely protect the product against damage in transit. If you do dispose of the carton and the packaging materials, please remember to recycle with due care to the environment.

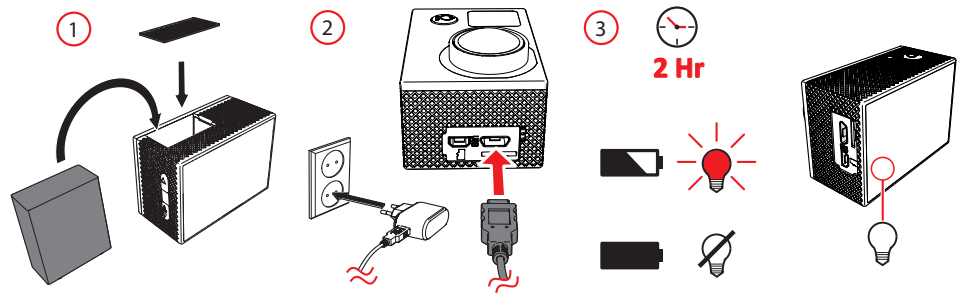
3.2 Package contents



The following items are included in the received package:

1. Remote control
2. 1x Waterproof case within the camera
3. 1x Bicycle bracket
4. 1x Pedestal 1
5. 1x Pedestal 2
6. 1x fixed base
7. 1x switch support 1
8. 1x switch support 2
9. 1x switch support 3
10. 1x Micro USB cable
11. 1x Back clip
12. 2x helmet pedestal for example
13. 1x bandage
14. 4x tie-wrap
15. 2x 3M sticker
16. 1x communicator
17. 1x wire cable
18. Adapter
19. 1x cleaning cloth

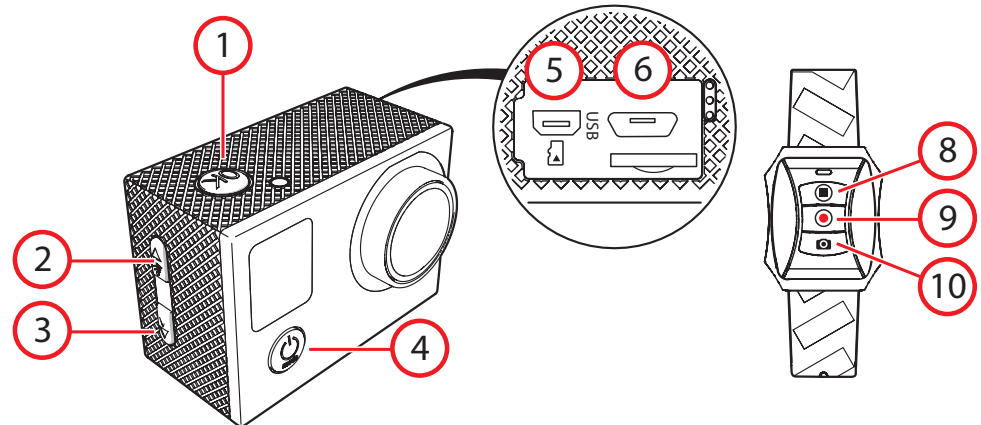
3.3 Charge the battery



- Open the battery door.
- Place the battery and close the battery door.
- The battery is fully charged within 2 hours. The LED indicator is red during charging. When the battery is full the LED indicator is off.

4 Functions

4.1 Main components



Camera

1. OK button
2. PREVIOUS/WIFI/ZOOM IN button
3. FORWARD/ZOOM OUT button
4. ON/OFF/MODE button
5. HDMI-output
6. Micro USB connection
7. Slot-in for micro SD card

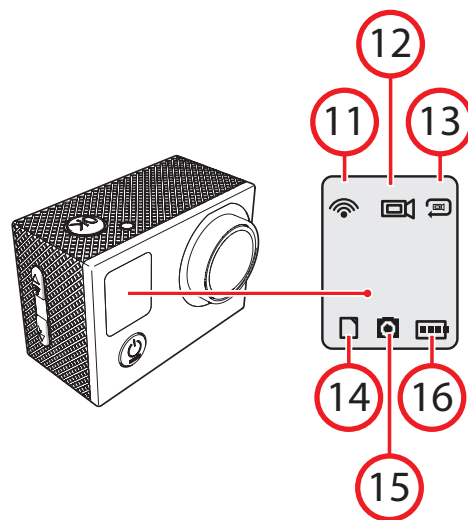
Remote control

8. STOP RECORDING button
9. STOP FILMING button
10. MAKING A PHOTO / SLEEP MODE button

4.2 Explanation of the icons on the display






You can see the following on the camera display:

11. WiFi connection
12. Which mode is activated: video or photo mode
13. When loop filming is enabled
14. Time
15. Photo
16. Micro SD card icon if the Micro SD card is inserted



4.3 Explanation of the icons in the control program

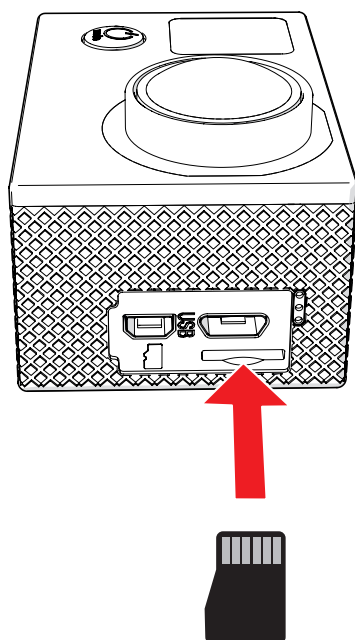
Below you can see the explanation of the icons used in the control program.

Filming		Record a video clip.
Make a photo		Make a photo
Slow filming		Start slow filming
Play		Here you can watch or delete the videos you recorded and the photos you took.
Settings		Here you can adjust the settings.

5 Usage

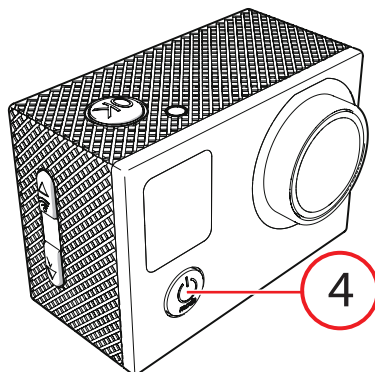
5.1 Memory Card: Placement and access

- i** Due to the great variety of products with external memory connection (USB, SD/MMC, etc.) and their sometimes quite manufacturer-specific functions we can neither guarantee that all devices will be recognised, nor that all operating options that are possible in theory will actually work.



(7) Memory card slot max. 64 Gb

5.2 Using the on/off button



- Keep key MODE (4) pressed for 2 seconds
- The device has now been turned on.
- The blue indicator lamp is lit.

5.3 Factory Settings

The factory settings are:

Exposure: 0

White balance: AUTO

WIFI: off

Rotate image: off

Driving position: off

Light Source Frequency: AUTO

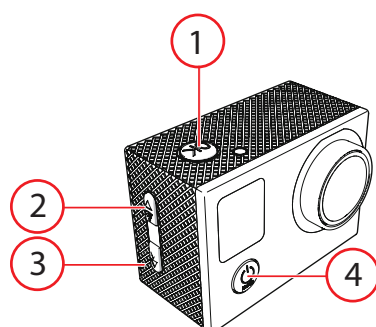
LED indicator light: set

Auto screensaver: close

Auto shutdown: 5 minutes

Time watermark: off

5.4 Start filming



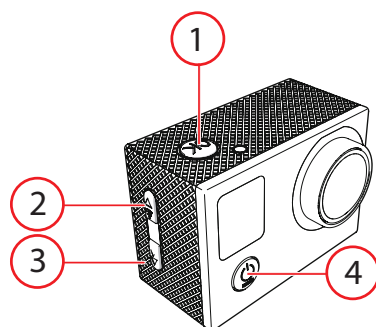
i When you turn the appliance on, you are already in the film mode.

- Press repeatedly on the Mode button until you reach the film mode.
- Press on the button OK (1) to start filming.
- Use the buttons ZOOM (2) (3) to zoom in and zoom out.
- Press again on the button OK (1) to stop filming. The movie is saved.

You can also use the remote control to start filming.

- Press the  button .
- Press again on the button  to stop filming. The movie is saved.

5.5 Make a photo



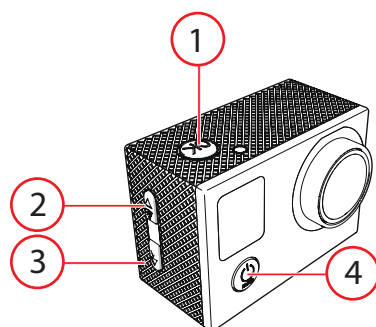
i When you turn the appliance on, you are already in the film mode.

- Press repeatedly on the Mode button (4) until you reach the photo mode.
- Use the buttons ZOOM (2) (3) to zoom in and zoom out.
- Press the button OK (1) to make a photo.

You can also use the remote control to take a photo.

- Press the  button to take a photo.

5.6 Start "SLOW" filming

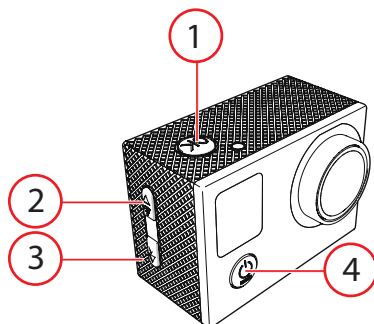


- Press repeatedly on the Mode button (4) until you reach the slow film mode.
- Press on the button OK (1) to start filming.
- Use the buttons ZOOM (2) (3) to zoom in and zoom out.
- Press again on the button 1 to stop filming. The movie is saved.

You can also use the remote control.

- Press the  button .
- Press again on the button  to stop filming. The movie is saved.

5.7 Play



i When you turn the appliance on, you are already in the film mode.

- Press repeatedly on the Mode button (4) until you reach the play mode. You can display the photo`s and watch the recorded videos.
- Use the buttons ZOOM (2) (3) to search for a photo or video.
- Press on the button OK (1) to view a photos and play videos.
- Remove photo or video: select photo or video and press the OK button (1) for 2 seconds. Select with the ZOOM buttons (2) (3) and confirm with the OK button (1).

5.8 Settings

- Press repeatedly on the Mode button (4) until you reach the settings mode.
- Press OK (1) to confirm your selection.
- The settings menu consists off five submenu`s: 1) video, 2) photo, 3) general settings 4) camera settings 5) exit. Press on the button Mode (4) to choose on of these menu`s.
- Press OK (1) to confirm your selection.
- Use the (2) and (3) keys to navigate within the menu.
- Press OK (1) to confirm your selection.

Settings for video recording

Video resolution: you can change here the resolution of the videos.

Recording sound: you can set here the recording sound on and off.

Time lapse (not slow motion): During recording, a photo will be taken every 0.5, 1, 2, 5 etc. seconds. The photos are played back sequentially in a video. Time lapse videos are intended for making a sped-up recording of a fixed point (e.g. a growing flower/a streetscape from morning to evening).

Loop recording is the process of recording video feeds. This process is a never-ending one: at the end of the internal disk drive, the recording process continues to record at the beginning, erasing the previously recorded material and replacing it with the new content. Within this function you can set the duration of 1 video. You can choose the following settings: none, 2, 3 en 5 minutes.

Slow motion: Taking the video at 720P 90fps, and replay the video will be in 720P 90fps, if taking the video at 1080P 30fps, the video replay will be in 1080P 30fps. The video looks like slower than normal.

Settings for photos

Photo resolution: you can set here the resolution of the photo. You can choose from: 16M, 12M, 8M, 5M and 2M.

Timed: Here you can set the number of seconds for the camera to wait to take a picture. You can choose from 3, 5, 10 or 20 seconds.

Dramashot: You can use this function to make action photos. You can set here the amount of photos the camera makes. You can choose from 3p/s, 5p/s and 10p/s.

Auto: Here you can set the interval in seconds for the camera to wait to take a picture. You can choose from 10, 15, 20 or 30 seconds.

General settings

Exposure: you can set the exposure here. You can choose from: -3, -2, -1, 0, +1, +2, +3.

White balance: you can set the white balance here. You can choose from: auto, sunny, cloudy, artificial and TL light.

WIFI: display the WIFI SSD and the WIFI password.

Image rotation: If you need to mount your camera upside down, you can set the camera to save the photo or video upside down so that it appears right side up when you review it on your computer or TV. This eliminates the need to manually rotate the photo or video.

Driving position: on/off. The camera begins recording immediately when it is turned on manually or if the camera is connected to a power source by means of a USB cable.

Light Source Frequency: for Europe 50Hz

LED Indicator Light: on the left of the camera`s screen are two LED lights. You can set those lights off. For more information about these lights, see the chapter Technical specifications.

Auto Screensaver: here you can set after how many seconds the screen turns off. You can choose from 10, 20 and 30 seconds.

Auto Shutdown: you can set here after how many minutes the camera will shut down. You can choose from 1, 3 and 5 minutes.

Time Watermark: the date and time will appear on videos and photos.

System settings

Language: English, Simplified Chinese, Traditional Chinese, Korean, Russian, French, German, Dutch, Italian, Spanish, Polish, Japanese.

Date and time setting: Here you can set the date and time.

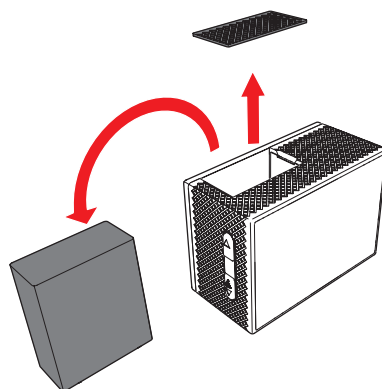
Format: here you can format the memory card. All data will be lost.

Reset to factory settings: the camera settings will be reset to the factory settings.

Firmware version

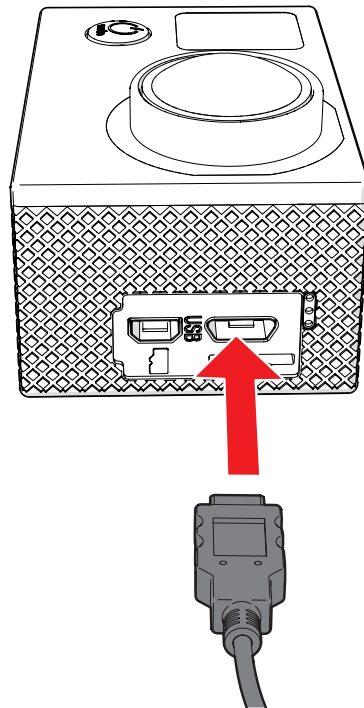
Here you can see the system information.

5.9 Remove the battery



- Open the battery door.
- Take the tab on the battery en move the battery out of the camera.

5.10 Connecting a USB to a computer



- Insert the USB cable into the camera and the computer.
- You can choose the following options:

USB Mode

View and export videos and photos.

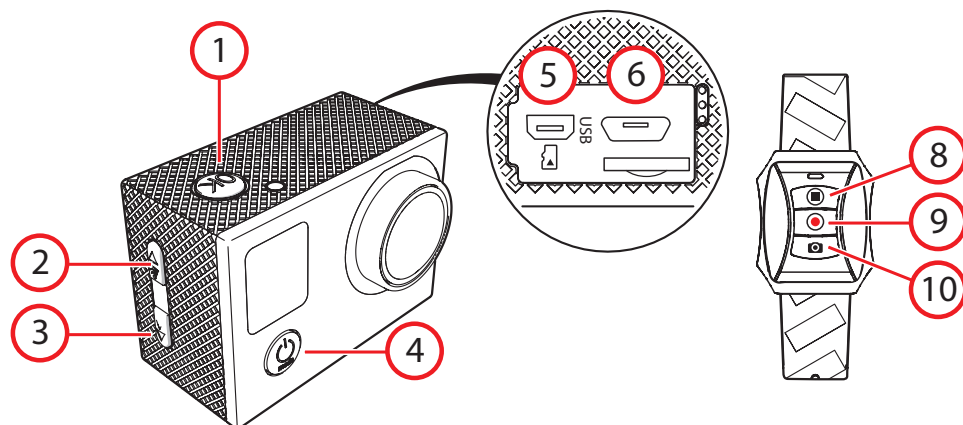
PC Camera Mode

Use the Actioncam as a webcam (computer and/or software-dependent).

Charging mode

Charging via USB to computer system.

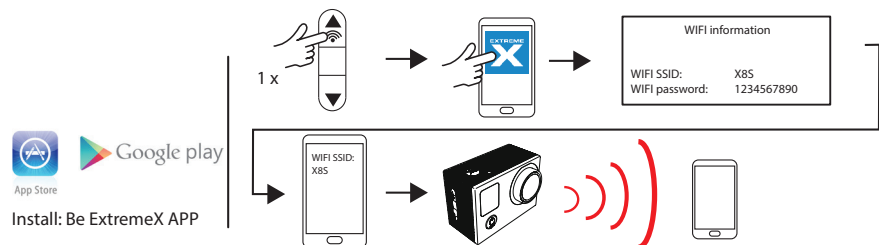
5.11 Make an HDMI connection with the television



- Keep key MODE (4) pressed for 2 seconds
- The device has now been turned on.
- Insert the mini HDMI cable (5) (not included) in the actioncam and connect the actioncam with the television.
- Turn the device and the television on.
- Select the television on the desired source input (see the manual of the television).
- Perform the steps as described on the television screen.

6 Managing your camera using your smartphone

6.1 View your camera image on your mobile

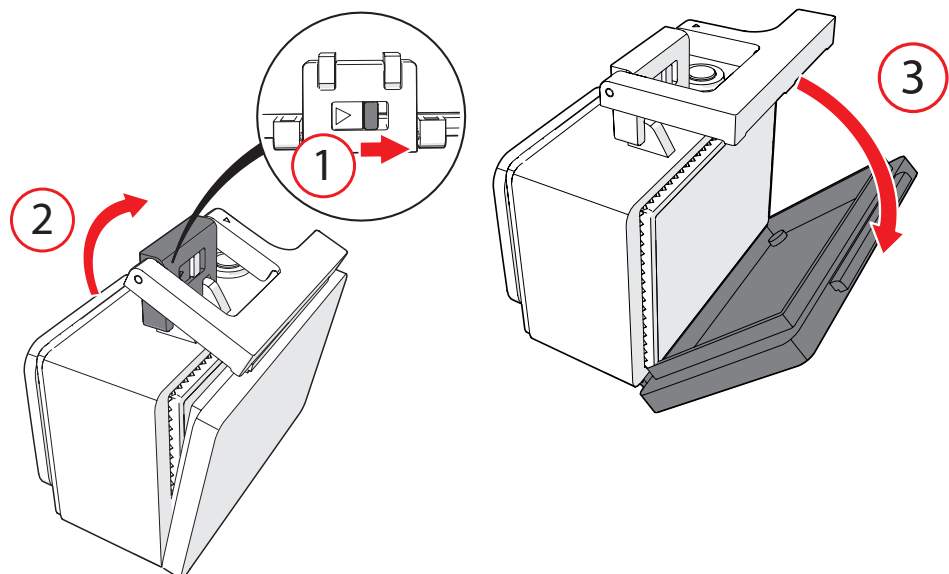


i To use the camera with your mobile phone, you need to download the Be ExtremeX App from the iOS App store or Google Playstore.

- Keep WIFI key (2) pressed.
- Open the Be ExtremeX app on your mobile phone.
- Select the “X8S” Wi-Fi option and enter the password. Select “Connection”. The actioncam is now connected to your mobile phone. You can now operate the actioncam with the app.

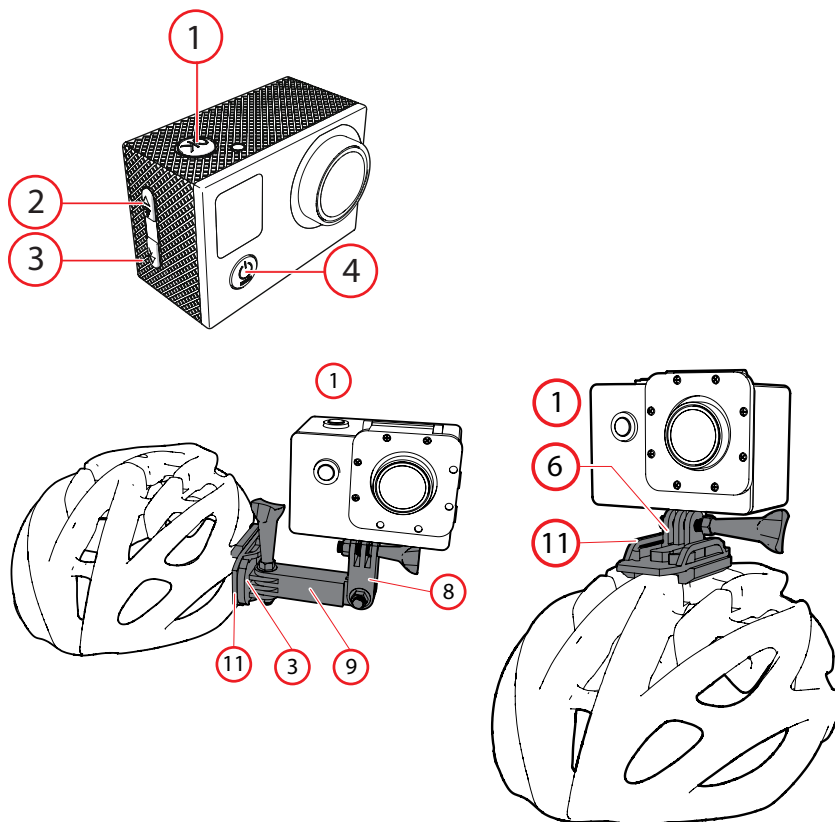
i The default password is (1234567890).

6.2 Place the camera in the waterproof case



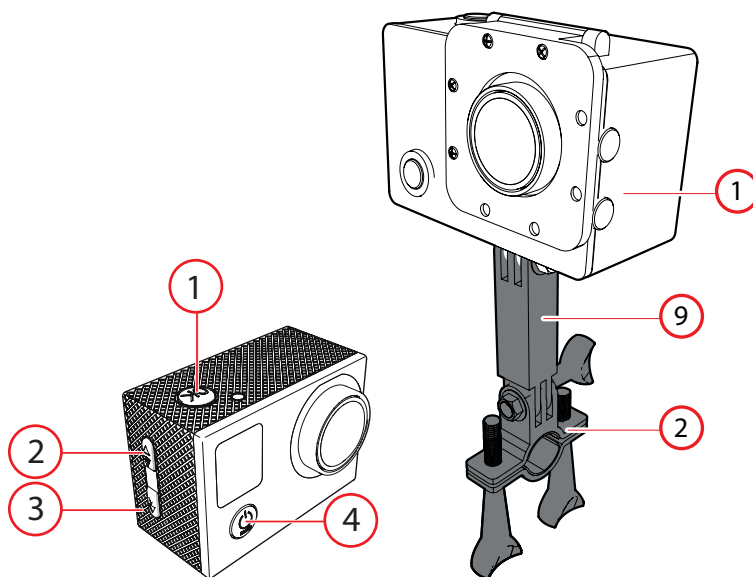
6.3 Mount the camera on the helmet

You can mount the actioncam two ways on the helmet. Only use the supplied accessory.



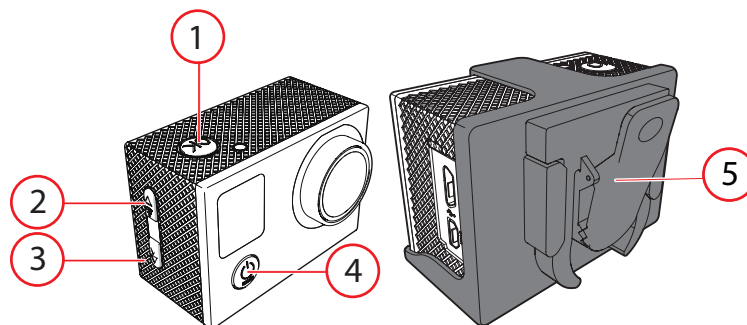
6.4 Mount the camera on your bike

You can mount the actioncam on your bike. Only use the supplied accessories.



6.5 Attach the camera with the clip

You can mount the camera on your belt (for example). Only use the supplied accessories.



7 Cleaning and maintenance

- ⚠ Do not dry the camera or battery with an external heat source such as a microwave oven or hair dryer.

- ⚠ The rubber seal that lines the camera housing forms a waterproof barrier that protects the appliance in wet and underwater conditions. Keep the appliance housing's rubber seal clean. A single hair or grain of sand can cause a leak and damage your camera.

- If you do not use the appliance for an extended period, remove the batteries.
- Clean the lens with a camera lens brush/blower (not included) if the lens is dirty.
- Clean the outside of the appliance with a soft cloth.
- After every use in salt water, rinse the outside of the camera housing with non-salt water and dry. Not doing this can eventually cause corrosion of the hinge pin and salt buildup in the seal, which can damage the camera housing.

8 Technical specifications

- Model number: Extreme X8S
- Voltage: 5V/1A
- DSP: V3
- Sensor: OV4689
- Resolution of videos recorded: 4K/30FPS*2, 7K/30FPS*1080P/60FPS*1080P/ 30FPS*720P/90FPS*720P/60FPS*720P/30FPS
- Resolution of photos: 16M /14M /12M /10M /8M /5M
- Lens: 170 HD wide-angle lens
- Exposure: -3 -2 -1 0 1 2 3
- ISO: Auto 100 200 400 800 1600
- White balance: Automatic default Sunny day Cloudy incandescent Light Fluorescence
- Zoom: 4x
- Photo modes: General photos; Timed pictures; Auto photos; Motion pictures
- Video modes: General Video; Recycling Video; Time-lapse Video
- Slow shooting: 1080p 60fps 720p 120fps Default
- LCD Display 2.0" LCD 176*216
- Picture formats: JPEG
- Video formats: MP4
- Video compressed: H.264
- Max. 64 GB, HDMI, Micro USB 2.0 and SD-card inputs
- Red LED: Product is charging
- Blue LED: Power is switched on
- Yellow LED: WiFi connection
- Microphone (MIC)
- SPK
- Battery capacity: 900MAH
- Recording time: 1080P/Approx. 90 minutes
- Charging time (hours): 2
- %1% WiFi connection
- Language: English, Simplified Chinese, Traditional Chinese, Korean, Russian, French, German, Dutch, Italian, Spanish, Polish, Japanese.
- OS of working: Windows XP/7/8 SP3/Vista and Mac 10.5 or above
- Dimensions main unit: 59 x 41 x 29 mm
- Weight: 44gr (without batteries), 58gr (with batteries)
- Working range: -10°C - +55°C
- Temperature for storage: -20°C - +70°C
- Relative humidity: 5% 95% No frost
- Waterproof in housing

9 Disposal of used electric and electronic equipment



The meaning of the symbol on the material, its accessory or packaging indicates that this product shall not be treated as household waste. Please, dispose of this equipment at your applicable collection point for the recycling of electrical and electronic equipments waste. In the European Union and other European countries which there are separate collection systems for used electrical and electronic product. By ensuring the correct disposal of this product, you will help prevent potentially hazardous to the environment and to human health, which could otherwise be caused by unsuitable waste handling of this product. The recycling of materials will help conserve natural resources. Please do not therefore dispose of your old electrical and electronic equipment with your household waste.

For more detailed information about recycling of this product, please contact your local city office, your household waste disposal service or the shop where you purchased the product.