

## Extreme X4 Actioncam

USER MANUAL

EN



# Table of contents

---

<b>1</b>	<b>Intended use</b>	<b>3</b>
<b>2</b>	<b>Safety</b>	<b>4</b>
2.1	Labels in this manual	4
2.2	General safety instructions	4
<b>3</b>	<b>Preparations for use</b>	<b>7</b>
3.1	Unpacking	7
3.2	Package contents	7
3.3	Charge the battery	8
<b>4</b>	<b>Functions</b>	<b>9</b>
4.1	Extreme X4	9
<b>5</b>	<b>Use</b>	<b>10</b>
5.1	Memory Card: Placement and access	10
5.2	Using the on/off button	10
5.3	Factory Settings	11
5.4	Start filming	11
5.5	Make a photo	12
5.6	Play	12
5.7	Settings	13
5.8	Remove the battery	15
5.9	Connecting a USB to a computer	15
5.10	Make an HDMI connection with the television	16
<b>6</b>	<b>Managing your camera using your smartphone</b>	<b>17</b>
6.1	View your camera image on your mobile	17
6.2	Place the camera in the waterproof case	17
6.3	Mount the camera on the helmet	18
6.4	Mount the camera on your bike	19
6.5	Attach the camera with the clip	20
<b>7</b>	<b>Cleaning and maintenance</b>	<b>21</b>
<b>8</b>	<b>Technical data</b>	<b>22</b>
<b>9</b>	<b>Disposal of used electric and electronic equipment</b>	<b>23</b>

# 1 Intended use

---

The Extreme X4 is an actioncam to make pictures and movies. Use the delivered accessoires by example to attach the Extreme X4 on your bike, helmet and belt. The actioncam may not be exposed to splashing or dripping water without the waterproofcase.

Use the iSport Cam App on your smartphone to operate the Extreme X4.




The device is intended for consumer use, not for professional use.

**i** Due the wide variety of products with USB ports, mobile devices and their manufacturer-specific functions we cannot guarantee that all devices will be recognized or all operating options can function.

## 2 Safety




---

### 2.1 Labels in this manual






-  **WARNING** A warning means that injury is possible if the instructions are not obeyed.
-  **CAUTION** A caution means that damage to the equipment is possible.
-  A note gives additional information, e.g. for a procedure.

### 2.2 General safety instructions

#### General

-  To prevent damage or malfunctions: Please take time and read the general safety instructions. This will avoid fire, explosions, electric shocks or other hazards that may result in damage to property and/or severe or fatal injuries.
-  The manufacturer is not liable for cases of material damage or personal injury caused by incorrect handling or non compliance with the safety instructions. In such cases, the warranty will be voided.
-  Do not operate the device during driving.

#### WARNING

-  Do not put force on the appliance. If applicable unplug the appliance.
-  Always check that the mains voltage corresponds to the voltage on the rating plate.
-  Only use original accessories from the manufacturer.
-  Do not spill any liquid on the appliance.
-  Do not insert any objects in the ventilation holes.

- ⚠ Do not block the ventilation holes.
- ⚠ Never leave children unattended with the packing material. The packaging material represents a danger of suffocation. Children frequently underestimate the danger. Always keep children away from the packaging material.
- ⚠ Do not operate the device during driving.
- ⚠ Warning! It is not permitted to open the product yourself or to have it opened, neither is it permitted to repair the product yourself or to have it repaired. This will void the warranties. Please let any maintenance be carried out by certified maintenance personnel.

#### CAUTION

- ⚠ Clean the outside of the appliance with a soft cloth. When the appliance is very dirty, dampen the cloth slightly with water and a neutral solution.
- ⚠ Do not put the appliance near a heat source. This could damage the appliance.
- ⚠ Do not expose the appliance to direct sunlight.
- ⚠ If your product runs on batteries: Incorrect installation can cause battery leakage and corrosion which will damage the appliance. Corrosion, oxidation, battery leakage and any other gradually acidic defect of this nature will invalidate the guarantee.
- ⚠ Check the product, cable and (if applicable) adapter for any damage before use. If there is any visible damage, a strong odour, or excessive overheating of components, unplug the product.
- ⚠ Always secure the camera in its housing when using the camera in or around water. Do not get the camera or the battery wet. The camera is not waterproof.
- ⚠ The rubber seal that lines the camera housing forms a waterproof barrier that protects the appliance in wet and underwater conditions.

Keep the appliance housing's rubber seal clean. A single hair or grain of sand can cause a leak and damage your camera.

- ⚠ After every use in salt water, rinse the outside of the camera housing with non-salt water and dry. Not doing this can eventually cause corrosion of the hinge pin and salt buildup in the seal, which can damage the camera housing.
- ⚠ The camera contains sensitive components, including the battery.
- ⚠ Avoid exposing your camera and battery to very cold or very hot temperatures. Low or high temperature conditions may temporarily shorten the battery life or cause the camera to temporarily stop working properly. Avoid dramatic changes in temperature or humidity when using the camera, as condensation may form on or within the camera.
- ⚠ Do not dry the camera or battery with an external heat source such as a microwave oven or hair dryer.

### Remarks

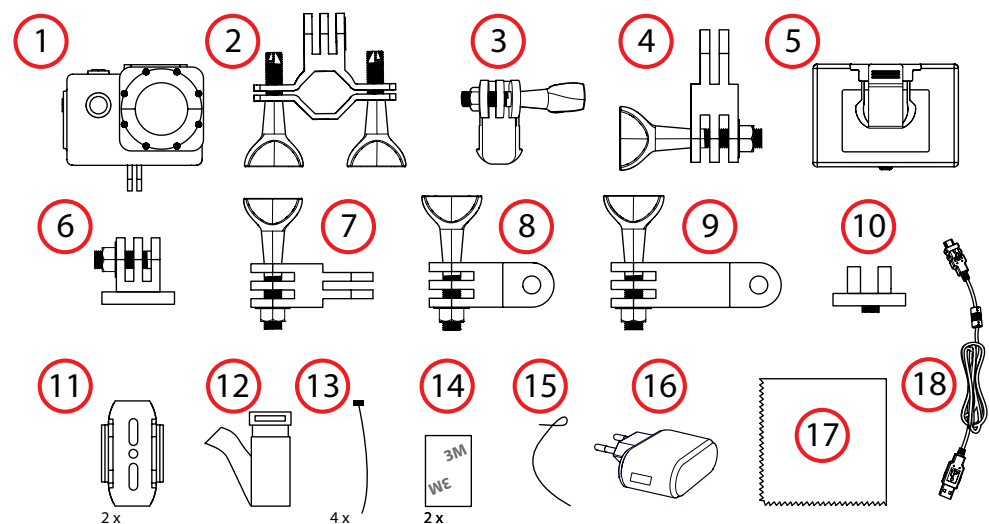
- i** If this appliance is equipped with rubber feet to prevent it from moving: The feet are made from non-migrating material specially formulated to avoid leaving any marks or stains on furniture. However, certain types of furniture polishes, wood preservatives or cleaning sprays cause the rubber to soften and leave marks or a residue on the furniture, and potentially risk the surface to become damaged. To prevent damage to wooden surfaces, we recommend that you apply self-adhesive pads to the bottom of the rubber feet before installation.
- i** We recommend that you retain the original carton and packing materials in case it ever becomes necessary to return your product for service. This is the only way to safely protect the product against damage in transit. If you do dispose of the carton and the packing materials, please remember to recycle with due care to the environment.

## 3 Preparations for use

### 3.1 Unpacking

- Unpack the appliance carefully.
- Check the package contents as described below. If any item is missing, please contact your reseller.
- We recommend that you retain the original carton and packing materials in case it ever becomes necessary to return your product for service. This is the only way to safely protect the product against damage in transit. If you do dispose of the carton and the packing materials, please remember to recycle with due care to the environment.

### 3.2 Package contents

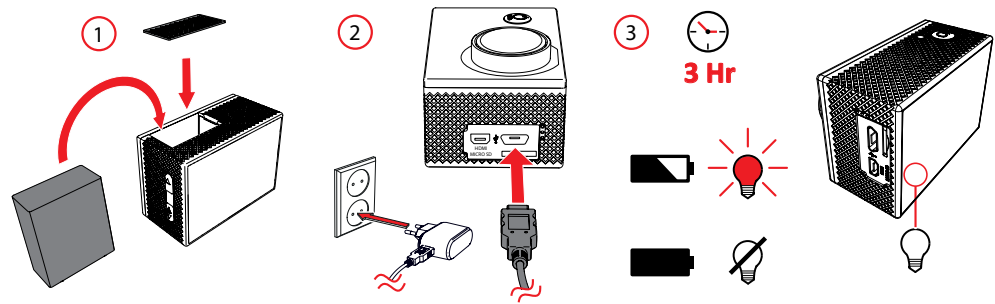


The following items are included in the received package:

- |   |                                    |
|---|------------------------------------|
| 1. 1x Waterproof case within the camera | 10. 1x adapter                     |
| 2. 1x Bicycle bracket                   | 11. 2x helmet pedestal for example |
| 3. 1x Pedestal 1                        | 12. 1x bandage                     |
| 4. 1x Pedestal 2                        | 13. 4x tie-wrap                    |
| 5. 1x Back clip                         | 14. 2x 3M sticker                  |
| 6. 1x fixed base                        | 15. 2x wire cable                  |
| 7. 1x switch support 1                  | 16. 1x Adapter                     |
| 8. 1x switch support 2                  | 17. 1x Micro USB cable             |
| 9. 1x switch support 3                  | 18. 1x cleaning cloth              |

**i** If any item is missing, please contact your reseller.

### 3.3 Charge the battery







- Open the battery door.
- Place the battery and close the battery door.
- The battery is fully charged within 3 hours. The LED indicator is red during charging. When the battery is full the LED indicator is off.

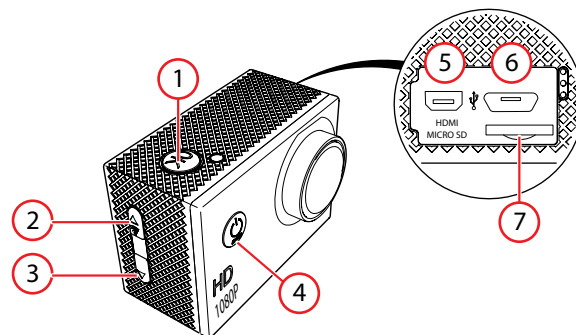


## 4 Functions

---

### 4.1 Extreme X4

-  **Filming**
-  **Make a photo**
-  **Play**
-  **Settings**

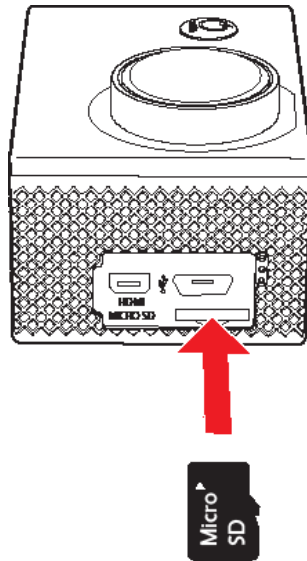


1. OK button
2. PREVIOUS/wifi button
3. FORWARD button
4. ON/OFF/MODE button
5. HDMI-output
6. Micro USB connection
7. Slot-in for micro SD card

## 5 Use

---

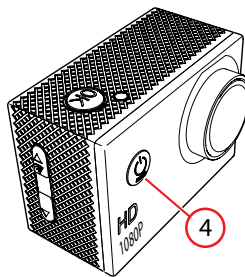
### 5.1 Memory Card: Placement and access



- i** Due to the great variety of products with external memory connection (USB, SD/MMC, etc.) and their sometimes quite manufacturer-specific functions we can neither guarantee that all devices will be recognised, nor that all operating options that are possible in theory will actually work.

(7) Memory card slot max. 32 Gb

### 5.2 Using the on/off button



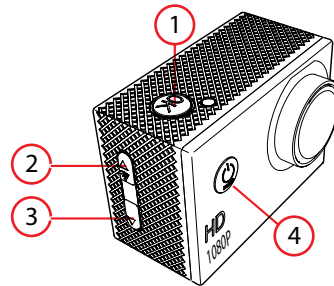
- Keep key MODE (4) pressed for 3-5 seconds
- The device has now been turned on.

### 5.3 Factory Settings

The factory settings are:

- Movie size: FHD 1080(30FPS)
- Seamless: 1 min
- HDR: OFF
- Motion Detection: OFF
- Record Audio: ON
- Data Stamp: ON
- Sport Mode: ON
- G-sensor: OFF
- Resolution: 12M 4000 x 3000
- Exposure: 0
- Quality: Super Fine
- White balance: AUTO
- ISO: Auto
- Anti-shaking (image stabilization): OFF
- Burst: OFF
- Self-timer: OFF
- Sharpness: Normal
- Date & Time
- Power Save: OFF
- Rotate: OFF
- WIFI password: 1234567890
- WIFI SSID: A5 A000001
- BEEP: OFF
- Language: English, Simplified Chinese, Traditional Chinese, Russian, French, German, Italian, Spanish, Japanese.
- Light Source Frequency: 50 Hz
- Delay ShutDown: OFF
- File Type: Video

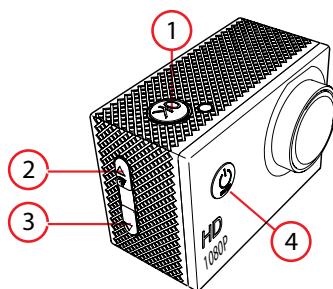
### 5.4 Start filming



**i** When you turn the appliance on, you are already in the film mode.

- Press repeatedly on the Mode button (4) until you reach the film mode.
- Press on the button OK (1) to start filming.
- Press again on the button OK (1) to stop filming. The movie is saved.

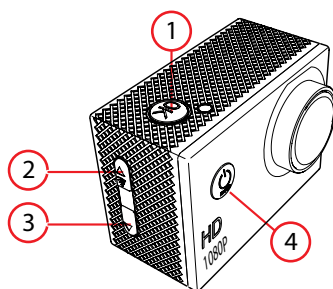
## 5.5 Make a photo



**i** When you turn the appliance on, you are already in the film mode.

- Press repeatedly on the Mode button (4) until you reach the photo mode.
- Press on the button OK (1) to make a photo.

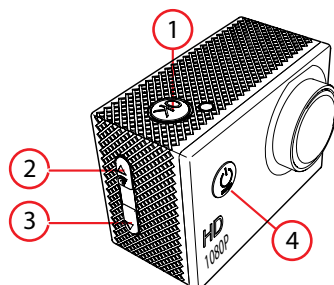
## 5.6 Play



**i** When you turn the appliance on, you are already in the film mode.

- Press repeatedly on the Mode button (4) until you reach the play mode. You can display the photo`s and watch the recorded videos.
- Use the buttons (2) (3) to search for a photo or video.
- Press on the button OK (1) to view a photos and videos.

## 5.7 Settings



- Press repeatedly on the Mode button (4) until you reach the settings mode.
- Press OK (1) to confirm your selection.
- Use the (2) and (3) keys to navigate within the menu.

Movie size: adjust the size of the movie.

Seamless: is the process of recording video feeds. This process is a never-ending one: at the end of the internal disk drive, the recording process continues to record at the beginning, erasing the previously recorded material and replacing it with the new content. Within this function you can set the duration of 1 video. You can choose the following settings: none, 1, 3 en 5 minutes.

HDR (High dynamic range): is a technique used in imaging and photography to reproduce a greater dynamic range of luminosity than is possible with standard digital imaging or photographic techniques.

Motion Detection: a sensor who detects the movement of an object. You can turn this OFF and ON.

Recording audio: you can set here the recording sound on and off.

Data Stamp

Here you can set the date and time.

Sport Mode: you can choose from LOW, MID and HIGH.

G-sensor: here you can set the sensitivity of the sensor. You can choose from: low, medium or high. De video will be locked automatically by serious shocks like a car accident. The video will remain.

Resolution: you can set here the resolution. You can choose from: 12M (4000 x 3000), 12M (3648 x 2736), 8M (3264 x 2448), 6M (2816 x 2112), 3M (2048 x 1536), 2M (1920 x 1080) and VGA (640 x 480).

Exposure: you can set the exposure here. You can choose from: -2.0, -5/3, -4/3, -1.0, -2/3, -1/3, 0.0, +1/3, +2/3, +1.0, +4/3, +5/3, +2.0

Quality: Super Fine, Fine, Normal

White balance: you can set the white balance here: You can choose from: Auto, Daylight, Cloudy, Tungsten, Fluorescent.

ISO: Auto, 100, 200, 400

Anti-shaking (image stabilization): ON/OFF

Burst: OFF, 3, 5, 10

Self-timer: OFF, 2 sec, 5 sec, 10 sec

SHARPNESS: Adjust the screen sharpness.

Date and Time Settings:

Here you can set the date and time.

Power Save: OFF, 10 sec, 30 sec, 1 min

ROTATE: this allows you to rotate the image

WIFI password: 1234567890

WIFI SSID: 95-a000001

BEEP:

Language: English, Simplified Chinese, Traditional Chinese, Korean, Russian, French, German, Italian, Spanish, Polish, Japanese. Light Source Frequency: for Europe 50Hz

Delay ShutDown:

File Type: Event, Video, JPEG

Format: here you can format the memory card. All data will be lost.

**i** All data will be lost.

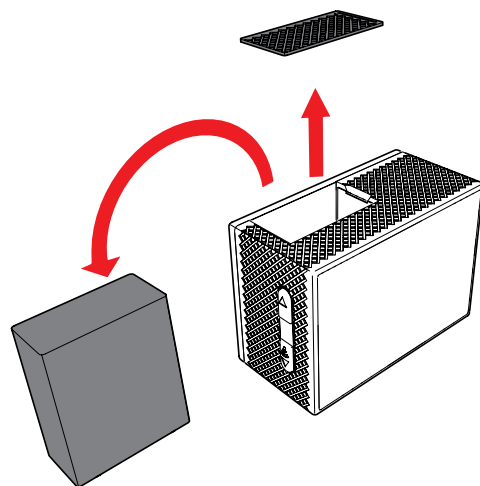
Delete: to delete selected files

Reset to factory settings: the camera settings will be reset to the factory settings.

Firmware version

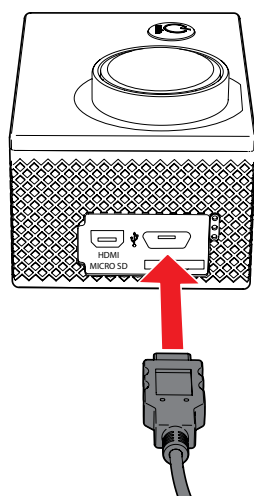
Here you can see the system information,

## 5.8 Remove the battery



- Open the battery door.
- Take the tab on the battery and move the battery out of the camera.

## 5.9 Connecting a USB to a computer



Insert the USB cable into the camera and the computer.

You can choose the following options:

### **USB Mode**

View and export videos and photos.

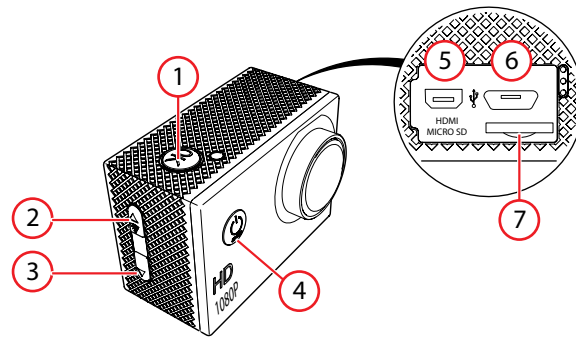
### **Charging mode**

You can make photos and videos with the computer.

### **USB Mode**

Charging via USB to computer system

## 5.10 Make an HDMI connection with the television

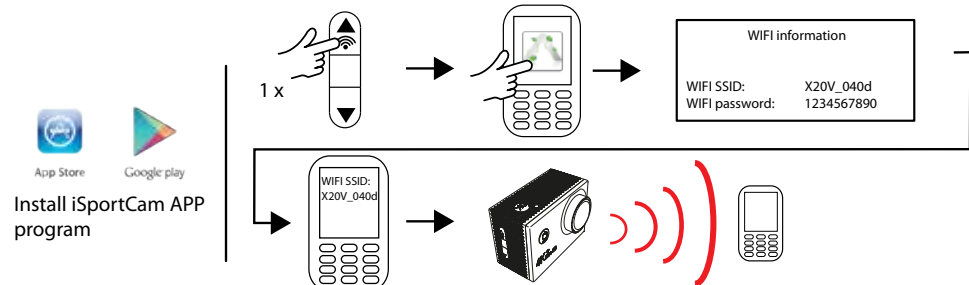


- Keep key MODE (4) pressed for 2 seconds
- The device has now been turned off.
- Insert the mini HDMI cable (5) (not included) in the actioncam and connect the actioncam with the television.
- Select the television on the desired source input (see the manual of the television).
- Perform the steps as described on the television screen.



## 6 Managing your camera using your smartphone

### 6.1 View your camera image on your mobile

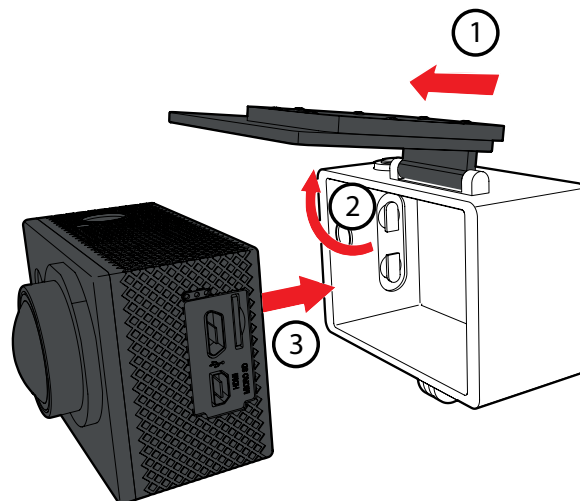


**i** To use the camera with your mobile Phone, you need to download the iSportCam app from the playstore.

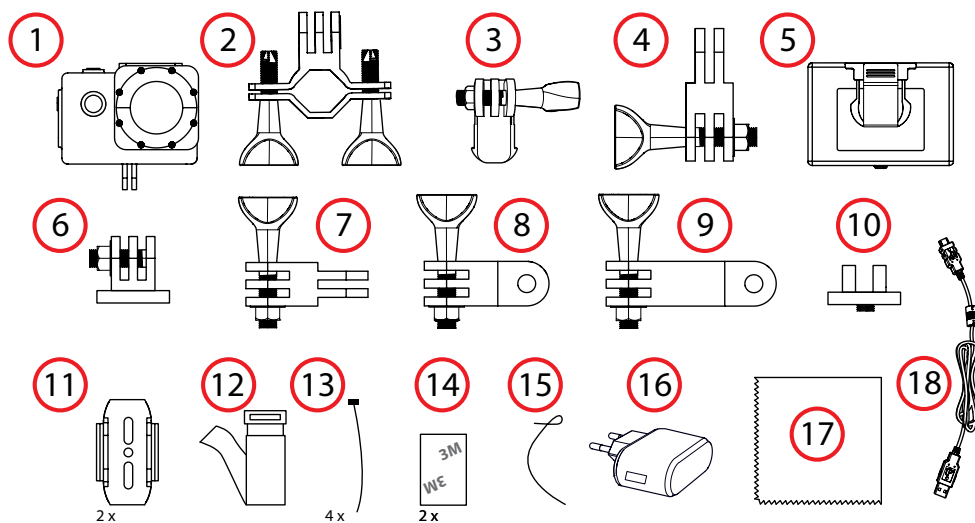
- Press the button WIFI for 2 seconds.
- Open the iSportCam app on your mobile phone.
- Select the WIFI: 95-A000001 and insert the password. Select connection. De actioncam is now connected with your mobile Phone. You can operate the actioncam with the app.

**i** The default password is (1234567890).

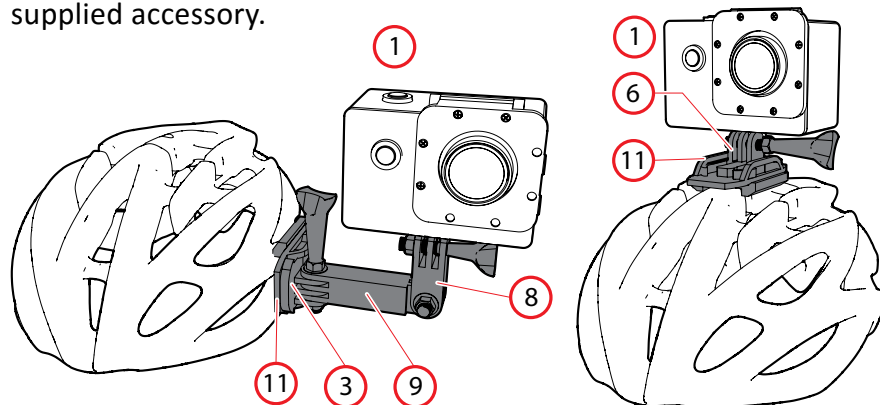
### 6.2 Place the camera in the waterproof case



### 6.3 Mount the camera on the helmet

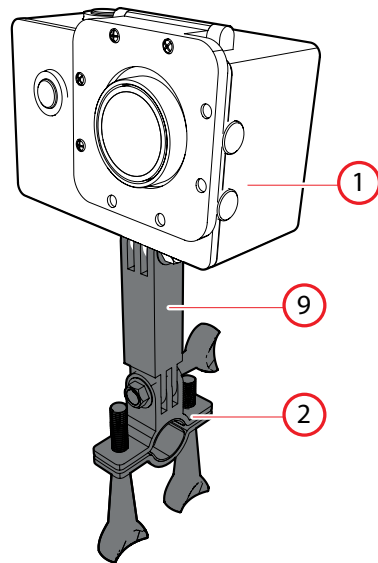
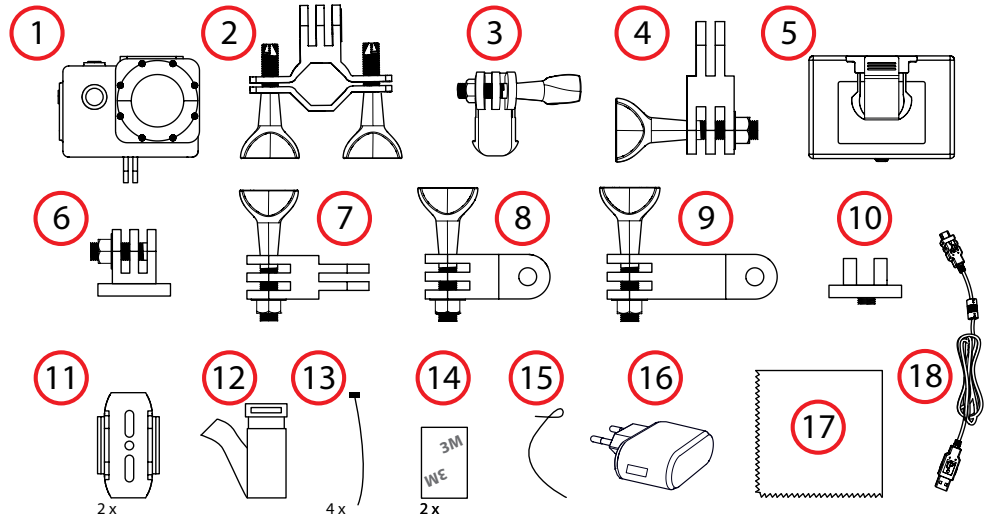


You can mount the actioncam two ways on the helmet. Only use the supplied accessory.



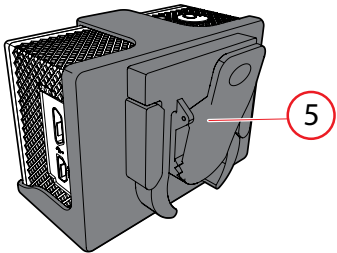
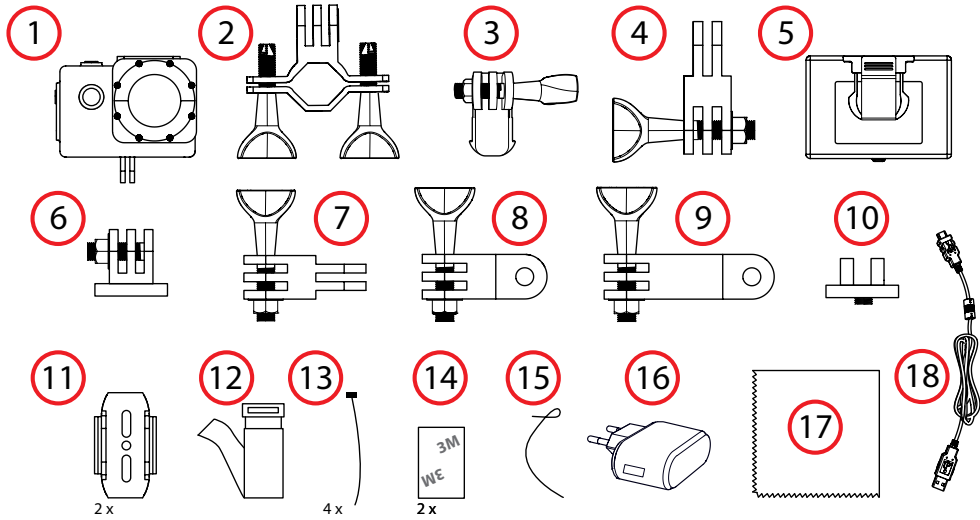
## 6.4 Mount the camera on your bike

You can mount the actioncam on your bike. Only use the supplied accessories.



### 6.5 Attach the camera with the clip

You can mount the camera on your belt (for example). Only use the supplied accessories.



## 7 Cleaning and maintenance

---

- ⚠ Do not dry the camera or battery with an external heat source such as a microwave oven or hair dryer.
  
- ⚠ The rubber seal that lines the camera housing forms a waterproof barrier that protects the appliance in wet and underwater conditions. Keep the appliance housing's rubber seal clean. A single hair or grain of sand can cause a leak and damage your camera.
  
- If you do not use the appliance for an extended period, remove the batteries.
- Clean the lens with a camera lens brush/blower (not included) if the lens is dirty.
- Clean the outside of the appliance with a soft cloth.
- After every use in salt water, rinse the outside of the camera housing with non-salt water and dry. Not doing this can eventually cause corrosion of the hinge pin and salt buildup in the seal, which can damage the camera housing.

## 8 Technical data

---

- Picture formats: JPEG (4:3)
- LCD Display 1.5" LCD (3.8 cm),
- Voltage: 5V/1A
- Resolution of videos recorded: 1080P/720P/WBGA
- Images per second: 30 fps
- Resolution of photos: 12M, 8M, 5M
- Image sensor
- Viewing angle: 170°
- External memory: Micro SD (TF) max. 32 GB
- Connectivity: HDMI and Micro USB2.0.
- WiFi connection
- Battery: 3.7V Li-ion, 900MAH, 3.33Wh
- Housing is waterproof till 30 m
- Lens: 12 megapixel HD wide-angle lens
- Video formats: MOV
- Video compressed: H.264
- Red LED: Product is charging
- Blue LED: Power is switched on
- Yellow LED:WIFI connection
- Recording time: 1080P / max 70 minutes
- Charging time (hours): 3
- Language: English, Simplified Chinese, Traditional Chinese, Russian, French, German, Italian, Spanish, Japanese.
- OS of working: Windows XP/7/8 SP3/Vista and Mac 10.5 or above
- Dimensions main unit: 59 x 41 x29
- Weight: 62gr
- Working range: -10°C - +55°C
- Storage temperature: -20°C - +70°C
- Relative humidity: 5% 95% No frost
- Microphone (MIC)

## 9 Disposal of used electric and electronic equipment

---



The meaning of the symbol on the material, its accessory or packaging indicates that this product shall not be treated as household waste. Please, dispose of this equipment at your applicable collection point for the recycling of electrical and electronic equipments waste. In the European Union and Other European countries which there are separate collection systems for used electrical and electronic product. By ensuring the correct disposal of this product, you will help prevent potentially hazardous to the environment and to human health, which could otherwise be caused by unsuitable waste handling of this product. The recycling of materials will help conserve natural resources. Please do not therefore dispose of your old electrical and electronic equipment with your household waste.

For more detailed information about recycling of this product, please contact your local city office, your household waste disposal service or the shop where you purchased the product.

For more information and warranty conditions, please visit:  
[www.nikkei.eu](http://www.nikkei.eu)