

## NMD360 – Audioset

USER MANUAL

EN



# Content


---


<b>1</b>	<b>Safety</b>	<b>3</b>
1.1	Labels in this manual	3
1.2	General safety instructions	3
1.3	Intended use	3
<hr/>		
<b>2</b>	<b>Preparations for use</b>	<b>5</b>
2.1	Unpacking	5
2.2	Package contents	5
<hr/>		
<b>3</b>	<b>Installation</b>	<b>6</b>
3.1	Install batteries	6
3.2	Connecting the system	6
3.3	Connecting random equipment	7
3.4	Connecting to the mains	7
<hr/>		
<b>4</b>	<b>Functions</b>	<b>8</b>
4.1	Remote control	8
4.2	NMD360	9
<hr/>		
<b>5</b>	<b>Operation</b>	<b>10</b>
5.1	Quick start	10
5.2	General setup menu operation	11
5.3	Clock functions	12
5.4	Radio functions	13
5.5	USB functions	14
5.6	AUX IN	15
5.7	iPad/ iPhone/ iPod functions	15
5.8	Operation with BLUETOOTH	16
<hr/>		
<b>6</b>	<b>Cleaning and maintenance</b>	<b>17</b>
6.1	Handle and care of a disc	17
<hr/>		
<b>7</b>	<b>Technical data</b>	<b>18</b>
<hr/>		
<b>8</b>	<b>Disposal of used electric and electronic equipment</b>	<b>19</b>


# 1 Safety

---


## 1.1 Labels in this manual


 **WARNING** A warning means that injury or death is possible if the instructions are not obeyed.


 **CAUTION** A caution means that damage to the equipment is possible.

 A note gives additional information, e.g. for a procedure.


## 1.2 General safety instructions

 **WARNING** Do not put force on the appliance. The appliance can fall and can cause serious injury.

 **CAUTION** Do not spill any liquid on the appliance.

 **WARNING** Do not insert any objects in the ventilation holes.

 **CAUTION** Do not block the ventilation holes.

 This appliance is double insulated; therefore no earth wire is required. Always check that the mains voltage corresponds to the voltage on the rating plate.

This appliance employs a laser system. To prevent direct exposure to the laser beam, do not open the appliance. Visible laser radiation when open and interlock defeated.

## 1.3 Intended use

The DVD Micro System plays music from CDs and music, videos and photos from DVDs and USB. The appliance also plays photos from Kodak picture CDs. Read the manual carefully before the first use.

DVDs and DVD appliances are manufactured under the worldwide agreed DVD regional code system that the appliance will operate only with corresponding disc of the same regional code. If the code number on the label of a DVD does not match that on the label alongside, the DVD will not play on this appliance.

- i** The appliance has built in copyright protection technology that prevents copying from a disc to any media. If a video recorder is connected to the appliance, the video output image will be distorted during recording.

Manufactured under license from Dolby Laboratories. "Dolby" and the double-D symbol are trademarks of Dolby Laboratories. Confidential unpublished works. Copyright 1992-1997 Dolby Laboratories. All rights reserved.

The product complies with Kodak picture CD format and will display Kodak picture CDs. The "KODAK Picture CD Compatible" logo is a trademark of Eastman Kodak Company and is used with permission.

- i** Because of the great variety of products with USB ports and their sometimes quite manufacturer-specific functions we can neither guarantee that all devices will be recognised, nor that all operating options that are possible in theory will actually work.

## 2 Preparations for use

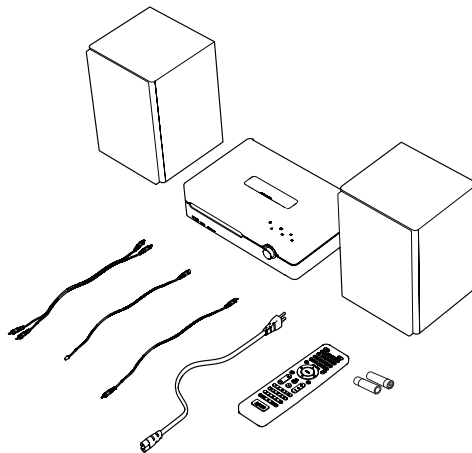
---

### 2.1 Unpacking

- Unpack the appliance carefully.
- Check the package contents as described below. If any item is missing, please contact your reseller.
- Remove the labels from the front panel carefully if present.

**i** We recommend that you retain the original carton and packing materials in case it ever becomes necessary to return your product for service. This is the only way to safely protect the product against damage in transit. If you do dispose of the carton and the packing materials, please remember to recycle with due care to the environment.

### 2.2 Package contents



**i** If any item is missing, please contact your reseller.

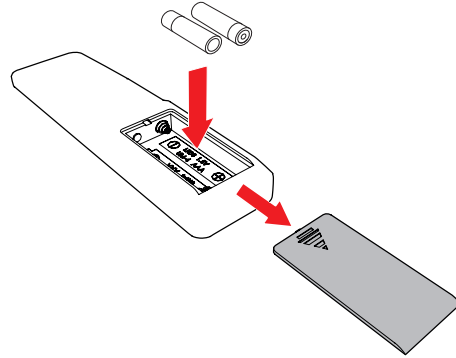
The following items are included in the received package:

- 1 x AMD360 DVD Micro System
- 2 x Speaker
- 1 x Remote control
- 2 x speaker wire
- 2 x Batteries (AAA)
- 1 x Mains cable
- 1 x FM cable
- 1 x Video cable

## 3 Installation

---

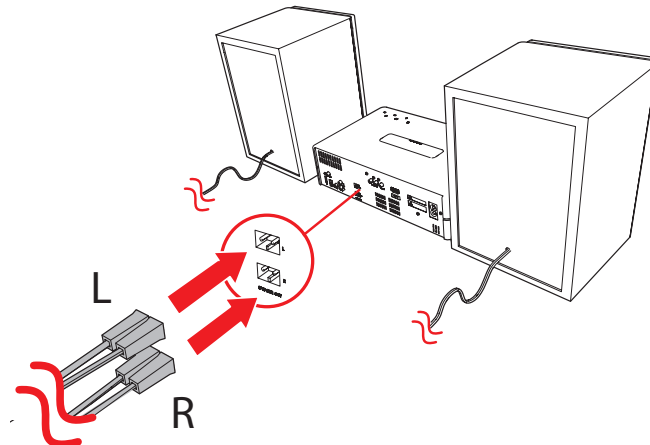
### 3.1 Install batteries



- Remove the battery cover.
- Insert the batteries matching the (+) and (-) polarity markings.

**⚠ CAUTION** Incorrect installation can cause battery leakage and corrosion which will damage the appliance. Corrosion, oxidation, battery leakage and any other gradually acidic defect of this nature will invalidate the guarantee.

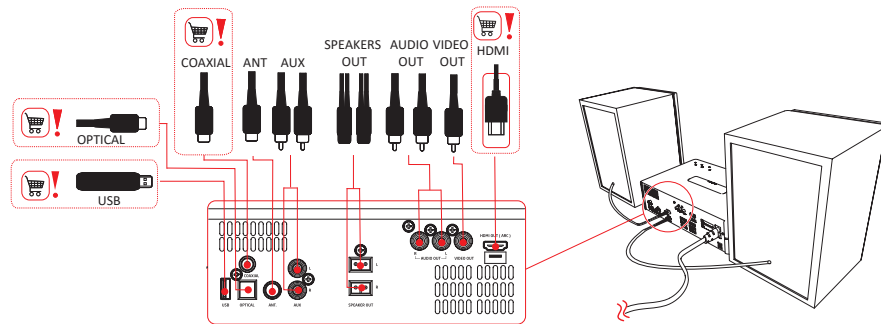
### 3.2 Connecting the system



- Connect the speakers to the appliance.

### 3.3 Connecting random equipment

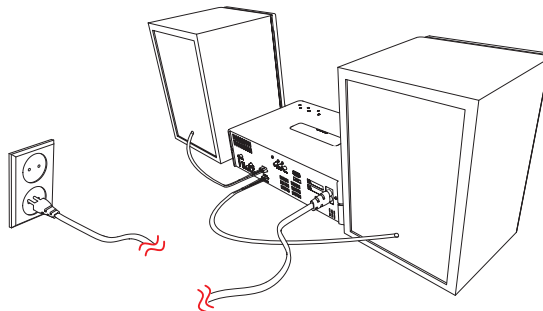
- Connect the tv  
Use one of the cables as presented in the image below.



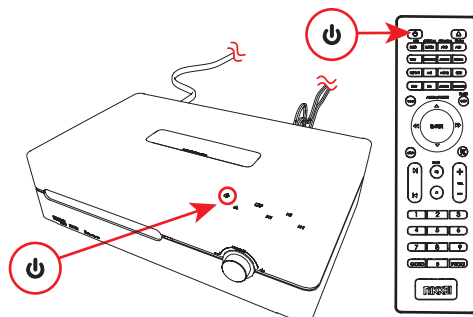
- Plug the HDMI cable into your TV and your% 1%.
- Stereo audio: Connect a suitable cable to the R/L channels of the AUDIO OUT connection.
- To connect an external audio device, insert the cable plug in the AUX IN jack (L/R).

### 3.4 Connecting to the mains

- Connect the appliance to the mains.

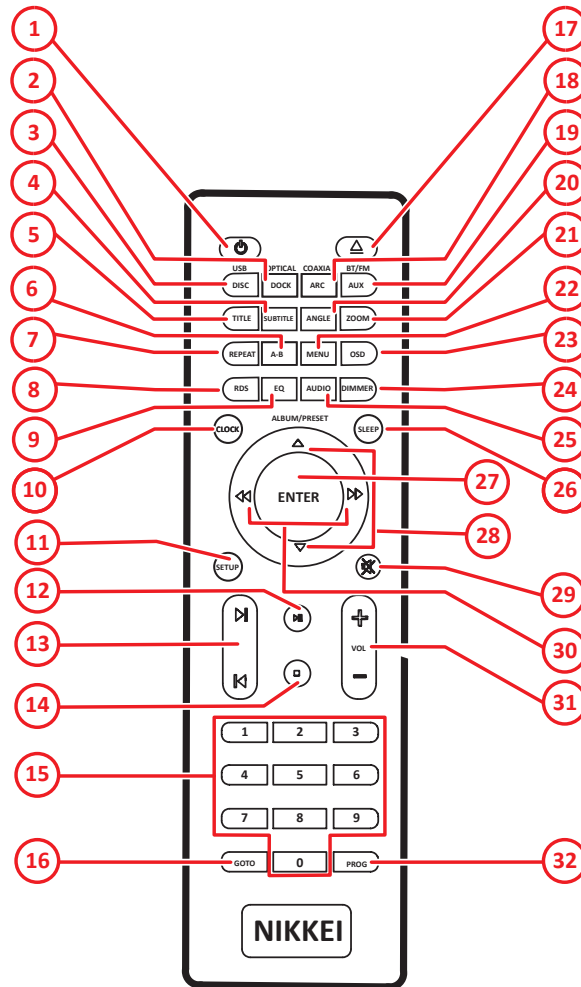


- Switch on the appliance.



## 4 Functions

### 4.1 Remote control

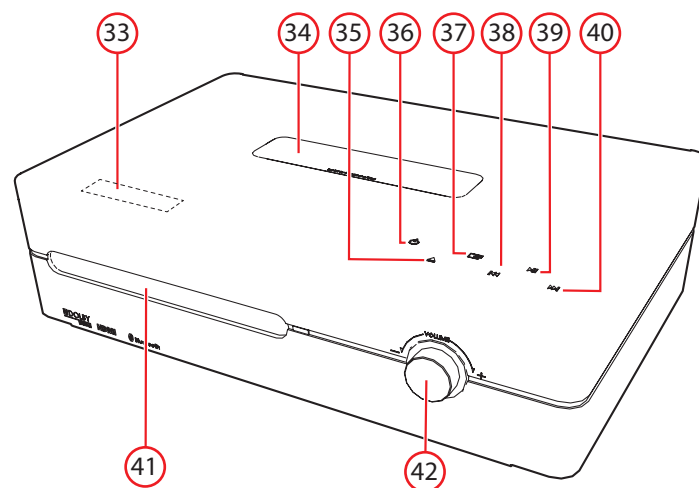


- |                        |                          |                                    |
|------------------------|--------------------------|------------------------------------|
| 1. STANDBY button      | 13. PREVIOUS/NEXT button | 24. DIMMER button                  |
| 2. DOCK/OPTICAL button | 14. STOP button          | 25. AUDIO button                   |
| 3. DISK/USB button     | 15. Digit buttons        | 26. SLEEP button                   |
| 4. SUBTITLE button     | 16. GOTO button          | 27. ENTER button                   |
| 5. TITLE button        | 17. OPEN/ CLOSE button   | 28. ALBUM PRESET button            |
| 6. A-B button          | 18. ARC/COAXIAL button   | 29. MUTE button                    |
| 7. REPEAT button       | 19. AUX/BT/FM button     | 30. Button search forward/backward |
| 8. RDS button          | 20. ANGLE button         | 31. VOLUME button                  |
| 9. EQ button           | 21. ZOOM button          | 32. PROG button                    |
| 10. CLOCK button       | 22. MENU button          |                                    |
| 11. SETUP button       | 23. OSD button           |                                    |
| 12. PLAY/ PAUSE button |                          |                                    |



- Press the % 1% 2% to adjust the brightness level of the display.
- SUBTITLE (4): select the subtitles for the VIDEO file that is playing (if available)
- The A-B REPEAT function can be used to repeat a specific section of a DVD.
- Press the SETUP button (11) to open or close the Setup menu.
- To select the camera angle, press the ANGLE button (20).
- Press the GOTO button (16) to load the Quick Start menu. Navigate to the chapters by using the buttons (30) and use the number key to choose the desired chapter and confirm with enter.
- With the ZOOM button (21) you can enlarge the image. Use the button (21) to zoom in or out. You can move the image by using the arrow buttons (28) (30).
- To magnify the picture, press the ZOOM button (28)(30). To zoom in or out on the picture, press the FWD or REV buttons (28)(30). To move the picture, press the arrow buttons (28)(30).
- To select extra information of a DVD or CD (remaining time/passed playtime/track number/chapter number), press the OSD button (23).

## 4.2 NMD360



- |                         |                         |
|-------------------------|-------------------------|
| 1. Screen               | 6. PREV button          |
| 2. Docking cover        | 7. PLAY/PAUSE button    |
| 3. OPEN DISK button     | 8. NEXT button          |
| 4. POWER button         | 9. Disk compartment     |
| 5. Button choose source | 10. VOLUME button (+/-) |

## 5 Operation

---

### 5.1 Quick start

- To switch on the appliance, press the STANDBY button (1). To switch back to the standby mode, press the STANDBY button (1) again.
- To adjust the volume, press the VOL + button or the VOL - button (31).
- To mute or restore sound, press the MUTE button (29).

#### DVD/CD functions

- Turn on the television.
- Switch on the appliance.
- To select the source mode DVD/ CD, press the DISC button (3).
- Place a disc in the disc tray. Press the OPEN %1% button (on the remote control) to open the disc tray. Press the OPEN %1% button again to close the disc tray.
- The display shows the total number of tracks on the CD.
- To start playback, press the PLAY/PAUSE button (12) once.
- To stop playback, press the STOP button (14).

#### Tuner functions

- Switch on the appliance.
- To select the source mode TUNER, press the BT/FM/AUX button (19).

#### USB functions

**i** Make sure the USB is formatted as FAT 32.

- Turn on the television.
- Switch on the appliance.
- Insert the USB device in the slot . The device can only be connected one way.
- Press the DISK/USB button (3).
- To start playback, press the PLAY/PAUSE button (12) once.
- To stop playback, press the STOP button (14).

#### iPod/iPhone functions

- Connect the iPod/iPhone/iPad
- Press the OPTICAL/DOCK button 2.

## 5.2 General setup menu operation

This chapter explains a complete setup of the appliance: settings of screen display, audio setup and video setup.

### To change the initial settings

The following actions have to be carried out with the remote control.

- Press the SETUP button (11).
- Press the arrow buttons (left and right) (30) to select a menu. The submenu is displayed directly.
- Press the arrow buttons (up and down) (28) to scroll through the submenu.
- Press the ENTER button (27) to select a setting, or the left arrow button to cancel the selection.
- Press the SETUP (11) button to store the settings and exit.

### Picture format

- In the TYPE TV section, press the arrow buttons (28)(30) to select 4:3 4:3 PANSCAN or 4:3 LETTERBOX for a conventional TV set. Select 16:9 for a wide screen TV set.

### OSD LANG

In the OSD LANG section, press the arrow buttons to choose the language.

### Screen security on/off.

The screensaver will be turned on automatically when there is no picture.

### (Power Resume) on/off

When the device is turned off while the DVD was playing, the device will continue playing the DVD when the device is turned on.

### Video setup page

- HD output: select the desired resolution.

### Preference setup page

Select the video output format to match the appliance to the TV system: PAL, AUTO or NTSC.

The video output format can only be selected when the DVD tray is empty.

- i** Please note: if the wrong option has been selected, this may result in very poor image quality. In that case, select the auto settings.

### Language setup page

- In the SUBTITLE section, choose the subtitle language.
- In the AUDIO section, choose the audio language.
- In the DISC MENU section, choose the language for the disc menu.

### Rating setup page

- PARENTAL
- Set a rating for movies played by the appliance. Movies rated higher than the level set for the parental lock can not be viewed.

**i** This function is only available with discs that have parental rating encoded.

### Password

Change the default password. Enter the current password in the first box. Enter the new password in the second box. Enter the new password again in the third box to confirm.

**i** The default password is (0000).

### DEFAULT

Restore all default settings of the appliance, except the settings for the menu items PARENTAL and PASSWORD.

## 5.3 Clock functions

### Preparation

- Set the appliance in the standby mode. Press one time shortly on the CLOCK button (10). On the display four dashes will flash.
- Hold the button CLOCK (10) until you see clock set on the display. The diggets will flashes. Set the hours by pressing on the buttons (28) and press on ENTER (27) to confirm.

### Set the minutes

- To do this, press the arrow buttons (28).
- Press ENTER (27) to confirm.

### Sleep timer: device is on

- Press the button SLEEP (26) repeatedly until the desired setting is found.
- Press the SLEEP (26) button to show the remaining time before the unit switches off.

### Setting the alarm time

- The clock must be correctly set for the timer to operate correctly.
- In STANDBY mode, press and hold the TIMER/SLEEP button until the hour digits flash on the display.
- Press the arrow buttons (28) to adjust the hour digits, and then press the TIMER/SLEEP button or ENTER button to confirm. The minute digits will flash on the display.
- Press the arrow buttons (28) to adjust the minute digits, and then press the TIMER/SLEEP button or ENTER button to confirm. The mode will flash on the display.
- Press the arrow buttons (28) to select DOCK, DISC, USB or FM mode, and then press the TIMER/SLEEP button or ENTER button to confirm, the display will show the volume level.
- Press the arrow buttons (28) buttons to adjust the volume, and then press the TIMER/SLEEP button or ENTER button to confirm.
- Press the arrow buttons (28) buttons to select "TMR ON" or "TMR OFF" to enable the timer or to disable the timer. Press the TIMER/SLEEP button or ENTER button to confirm.

**i** Each enabled state will be cleared if a button is not pressed within 15 seconds.

- To check the timer setting, press the TIMER/SLEEP button, the display will show "TMR ON" and "TMR OFF" settings.

## 5.4 Radio functions

- Press the BT/FM/AUX key (18) to select the radio mode.

### Set pre-set stations

- Press and hold the PROG (32) button for 2 seconds to activate automatic programming.
- Press the arrow buttons up/down (28) to select the desired station.

### You can also scan manually.

- To do this, press the arrow buttons (30).

### Programming a radio station manually

- Press the PROG (32) button first and then choose the desired preset number location by pressing the numeric buttons (15) or the PREV (30) and the NEXT button.
- Press the PROG (32) button first and then choose the desired preset number location by pressing the numeric buttons (15) or with the arrow buttons up/down (28).

- Touch PROG (32) to add the current station to your favourites

## 5.5 USB functions

### Preparation

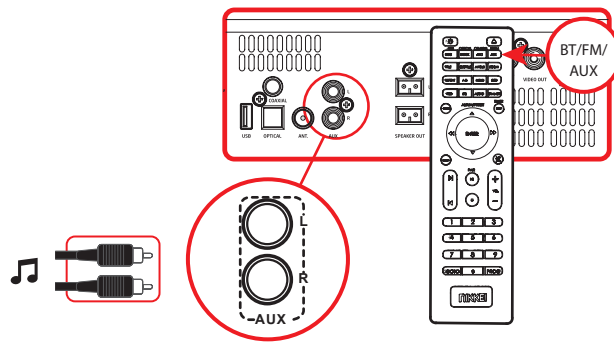
- Turn on the television.
- Insert the USB device in the slot . The device can only be connected one way.
- Press the USB/DISK button (3).

After the device has been connected, a content menu will display on the TV screen.

- Press the arrow button (28) (30)(up/down/left/right) to select a folder or a file recognized by the yellow marking.
- Press the ENTER button (27) to open or play the selected folder or file. You can also use the digit buttons (15) to select a folder or to play the file.
- Press the MENU button STOP (14) to return to the content menu during playback.
- To pause playback, press the PLAY/PAUSE button (12) once; to resume playback, press the button again.
- To stop playback, press the STOP button (14).
- To remove the device, gently pull it out of the slot.

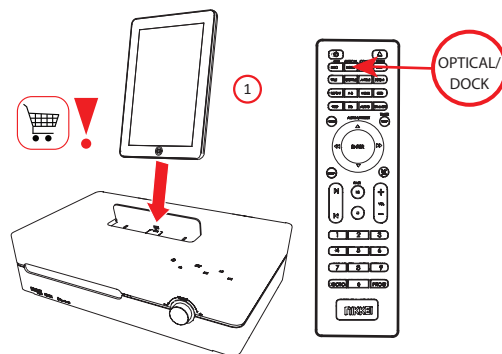
**i** Due to the great variety of products with USB ports and their sometimes quite manufacturer-specific functions we can neither guarantee that all devices will be recognised, nor that all operating options that are possible in theory will actually work. Make sure the USB is formatted as FAT32.

## 5.6 AUX IN



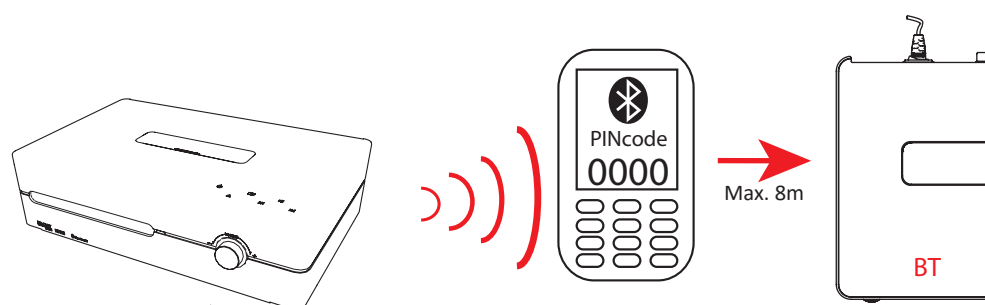
- Connect the external appliance to your NMD360 Microset.
- Select BT/FM/AUX mode.
- Use the BT/FM/AUX (19) key for this.

## 5.7 iPad/ iPhone/ iPod functions



- Place the iPad in the docking station
- Press the DOCK button (2).  
The LED display will show IPOD.  
It could take around 15 seconds for the NMD360 to identify the iPod/iPhone/iPad.
- To start playback, press the PLAY/ PAUSE button (12) once.  
The iPod/iPhone/iPad will automatically start charging once it is docked onto the NMD360.

## 5.8 Operation with BLUETOOTH



You can wirelessly connect the to devices that have Bluetooth.

### Establishing a Bluetooth connection (PAIREN)

- Turn on the Bluetooth function of your device
- To select the source mode BLUETOOTH, press the BT/FM/AUX button (19).
- Press and hold the button PLAY/ PAUSE (12) to activate the Bluetooth pairing mode.
- Search Bluetooth devices and select BT to establish connection
- Enter "0000" when the mobile device asks for the PIN code.

When the pairing succeeds, the LED display panel shows BT.

**i** NOTE: your Bluetooth connection has a range of approximately 8 metres

If you move outside the Bluetooth range, the connection will be automatically terminated.

We can not guarantee that all Bluetooth devices are compatible.



## 6 Cleaning and maintenance

---

### 6.1 Handle and care of a disc

- Hold the disc with fingers. Hold the disc outer edge and/or the centre spindle hole. Do not touch the disc surface.
- Do not bend or press the disc. Do not expose the disc to direct sunlight or heating sources.
- Clean the disc surface with a soft, dry cleaning cloth. Wipe the disc surface gently, radially, from centre towards the outer edge.
- Do not apply thinner, alcohol, chemical solvent, or sprays when cleaning. Such cleaning fluids will permanently damage the disc surface.

## 7 Technical data

---

### **NMD360 Microset**

- Voltage: 220-240VAC / 50 Hz
- Speaker output: 2 x 50W RMS
- HDMI-output
- Television system: PAL/NTSC
- Frequency range: 50Hz ~60Hz

### **Remote control**

- Battery size: AAA

### **Radio**

- Frequency range: 87,5~108 MHz

### **Supported media formats**

- Disc types: DVD / DVD+R(W) / DVD-R(W) / S (VDC) / CD / CD-R / CD-RW
- Picture formats: JPEG / Kodak Picture CD
- Video formats: Mpeg4 Xvid (SD) / vob files
- Audio formats: MP3/WMA

### **Working environment**

- Operating temperature: - 10 ~ +35 C(elsius)
- Relative humidity: 5% ~90%

## 8 Disposal of used electric and electronic equipment

---



The meaning of the symbol on the material, its accessory or packaging indicates that this product shall not be treated as household waste. Please, dispose of this equipment at your applicable collection point for the recycling of electrical and electronic equipments waste. In the European Union and Other European countries which there are separate collection systems for used electrical and electronic product. By ensuring the correct disposal of this product, you will help prevent potentially hazardous to the environment and to human health, which could otherwise be caused by unsuitable waste handling of this product. The recycling of materials will help conserve natural resources. Please do not therefore dispose of your old electrical and electronic equipment with your household waste.

For more detailed information about recycling of this product, please contact your local city office, your household waste disposal service or the shop where you purchased the product.

For more information and warranty conditions, please visit: [www.akai.eu](http://www.akai.eu)

Do not dispose of batteries as household waste but take them to a battery recycling facility.