

AKAI

iPod Music System

ASB15I



User manual

Gebruiksaanwijzing

Manuel de l'utilisateur

Manual de instrucciones

Gebrauchsanleitung

Οδηγίες χρήσεως

Brugsanvisning

GB 2

NL 19

FR 35

ES 51

DE 67

EL 83

DA 99

Table of contents

1.	Safety	3
1.1	Intended use	3
1.2	Labels in this manual	3
1.3	General safety instructions	3
2.	Preparations for use	4
2.1	Unpacking	4
2.2	Package contents	4
3.	Installation	5
3.1	Connecting random equipment	5
3.2	Connecting to the mains	6
3.3	Remote control	6
4.	Functions	7
4.1	iPod Music System	7
5.	Operation	9
5.1	Quick start	9
5.2	iPod functions	10
5.3	Radio functions	11
5.4	Clock functions	12
5.5	Setting the SLEEP function	14
5.6	Alarm function	14
6.	Cleaning and maintenance	15
7.	Troubleshooting	15
8.	Technical data	16
9.	Disposal of used electrical and electronic equipment	17

Copyright notice

Design and specifications are subject to change without notice.

1. Safety

1.1 Intended use

The iPod Music System functions as a docking station to play music from an iPod. The appliance also plays music from radio. The clock function includes an alarm and sleep program. Read the manual carefully before the first use.

1.2 Labels in this manual



WARNING

A warning means that injury or death is possible if the instructions are not obeyed.



CAUTION

A caution means that damage to the equipment is possible.



A note gives additional information, e.g. for a procedure.

1.3 General safety instructions



WARNING

Do not put force on the appliance. The appliance can fall and can cause serious injury.



CAUTION

Do not spill any liquid on the appliance.



WARNING

Do not insert any objects in the ventilation holes.



CAUTION

Do not block the ventilation holes.



This appliance is double insulated; therefore no earth wire is required. Always check that the mains voltage corresponds to the voltage on the rating plate.

2. Preparations for use

2.1 Unpacking

- Unpack the appliance carefully.
- Check the package contents as described below. If any item is missing, please contact your reseller.
- Remove the labels from the front panel carefully if present.



We recommend that you retain the original carton and packing materials in case it ever becomes necessary to return your product for service. This is the only way to safely protect the product against damage in transit. If you do dispose of the carton and the packing materials, please remember to recycle with due care to the environment.

2.2 Package contents

The following items are included in the received package:

- 1 iPod Music System
- 1 Remote control
- 1 Battery cell (CR2025)
- 4 iPod dock adaptors
- 1 Mains cable
- 1 Operator manual



If any item is missing, please contact your reseller.

3. Installation

- Put the appliance on a horizontal flat surface.
- Connect the random equipment to the appliance.
Read the paragraph "Connecting random equipment".
- Connect the appliance to the mains. Read the paragraph "Connecting to the mains".
- Install the batteries in the remote control. Read the paragraph "Remote control".



CAUTION

- Do not put the appliance near a heat source.
- Do not expose the appliance to direct sunlight.



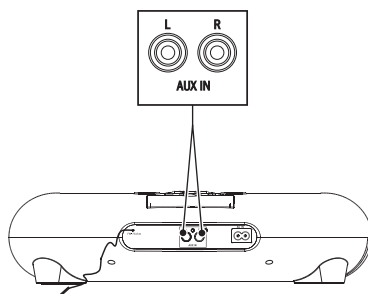
This appliance is equipped with rubber feet to prevent it from moving. The feet are made from non-migrating material specially formulated to avoid leaving any marks or stains on furniture. However, certain types of furniture polishes, wood preservatives or cleaning sprays cause the rubber to soften and leave marks or a residue on the furniture, and potentially risk the surface to become damaged. To prevent damage to wooden surfaces, we recommend that you apply self-adhesive pads to the bottom of the rubber feet before installation.

3.1 Connecting random equipment

Audio connections (input)

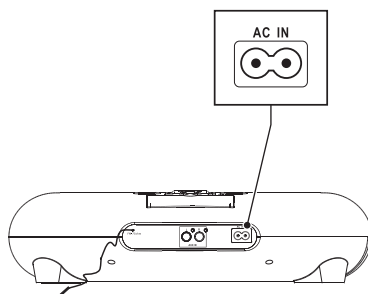
These connections allow you to receive audio signal from a connected CD/DVD or amplifier.

- AUX IN: Connect a suitable cable to the L/R channels of the AUX IN connection.



3.2 Connecting to the mains

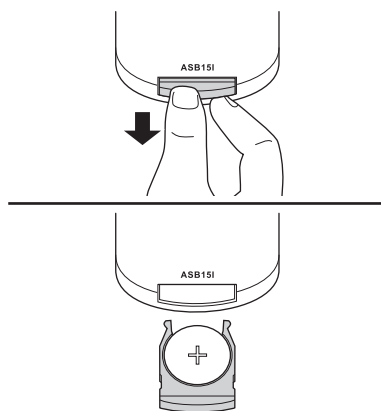
- Connect the female connector on the mains cable to the AC IN connection.
- Connect the mains plug to a wall socket.



3.3 Remote control

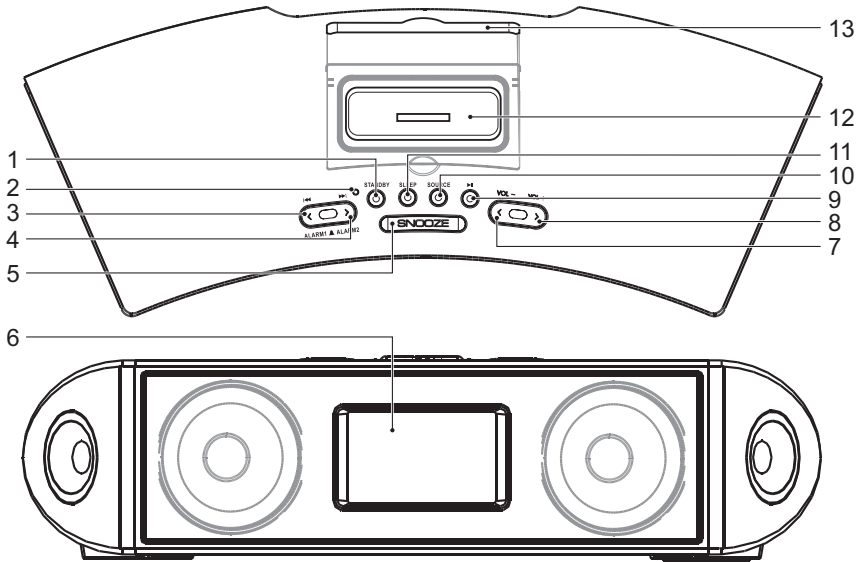
Installing the battery

- Pull out the battery tray.
- Insert 1 lithium battery, type CR2025 3V battery with the stamped (+) mark facing upward.
- Insert the battery tray into the remote control.



4. Functions

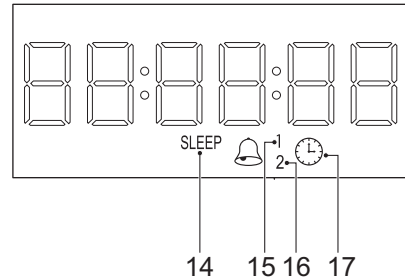
4.1 iPod Music System



- 1 Power/Standby button
- 2 LED indicator lamp
- 3 PREV/ALARM1 button
- 4 NEXT/ALARM2 button
- 5 SNOOZE button
- 6 Display
- 7 VOL - button
- 8 VOL + button
- 9 PLAY/PAUSE button
- 10 SOURCE button
- 11 SLEEP button
- 12 Docking station
- 13 Cover

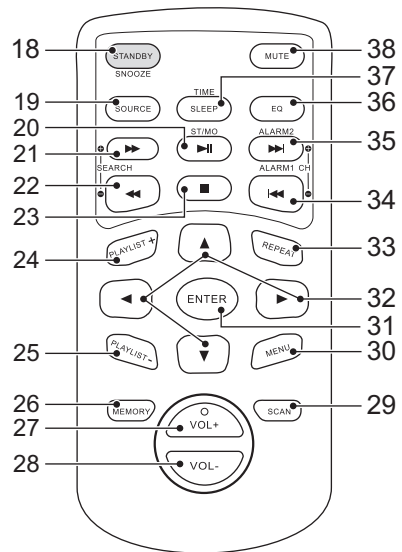
Display

- 14 SLEEP indicator
- 15 ALARM1 indicator
- 16 ALARM2 indicator
- 17 CLOCK indicator



Remote control

- 18 STANDBY/SNOOZE button
- 19 SOURCE button
- 20 PLAY/PAUSE / ST/MO button
- 21 FWD / SEARCH + button
- 22 REV / SEARCH - button
- 23 STOP button
- 24 PLAYLIST + button
- 25 PLAYLIST - button
- 26 MEMORY button
- 27 VOLUME + button
- 28 VOLUME - button
- 29 SCAN button
- 30 MENU button
- 31 ENTER button
- 32 Arrow buttons
- 33 REPEAT button
- 34 PREV / ALARM1 / CH - button
- 35 NEXT / ALARM2 / CH + button
- 36 Electronic Preset Equalizer button (EQ)
- 37 SLEEP/TIME button
- 38 MUTE button



5. Operation

All functions of the appliance are accessible using the remote control. All instructions refer to operation with the remote control, unless indicated otherwise.

5.1 Quick start

General functions

- To switch on the appliance, press the STANDBY button (18). To switch off the appliance, press the STANDBY button (18) again.
- To select the source mode (TUNER/iPOD/AUX-IN), press the SOURCE button (19).
- To adjust the volume, press the VOL + button (27) or the VOL - button (28).
- To enable the sound mode (CLASS/POP/ROCK/JAZZ), press the EQ button (36). To disable the sound mode, select FLAT.
- To mute or restore sound, press the MUTE button (38).

iPod functions

- Select the matching dock adaptor for your iPod. Insert the dock adaptor in the docking station (12). Place the iPod on the dock adaptor.
- Switch on the appliance. Select the iPod mode.
- To start playback, press the PLAY/PAUSE button (20) once.
- For extended instructions, read the paragraph "iPod functions" further on in this manual.

Radio functions

- Switch on the appliance. Select the tuner mode.
- To quickly install the station list: Press the SCAN button (29) to start the search program that sets the available channels automatically.
- For extended instructions, read the paragraph "Radio functions" further on in this manual.

Clock functions

- Read the paragraph "Clock functions" further on in this manual.

5.2 iPod functions

Installing and removing an iPod

- To install an iPod:
 - Open the cover (13).
 - Choose the correct dock adaptor. Refer to the table below.
 - Insert the dock adaptor into the dock.
 - Insert the iPod into the dock adaptor.
- To remove an iPod:
 - Press the STOP button (23).
 - Pull the iPod gently out of the dock adaptor.
 - To remove dock adaptor, pull the dock adaptor gently out of the appliance.



CAUTION

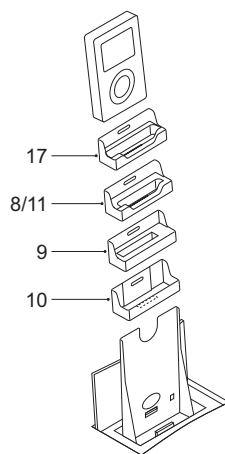
When connecting an iPod, ensure that the correct dock adaptor is placed.



Whilst the iPod is docked in the system, its battery is charged automatically. When the battery is fully charged, the charging process is completed.

Dock adaptor compatibility

Model	Memory size	Adaptor type
iPod 1G Nano		8/11
iPod 2G Nano		8/11
iPod 4G Nano	8 GB & 16 GB	17
iPod Video	30 GB	9
iPod Classic	80 GB & 120 GB	9
iPod Video	60 GB & 80 GB	10
iPod Classic	160 GB	10



Audio playback

During playback, the following functions are available:

- To select a track, press the PREV button (34) or the NEXT button (35) until the desired track is set.

- To forward or rewind the track, press and hold the FWD button (21) or the REV button (22).
- To pause playback, press the PLAY/PAUSE button (20) once; to resume playback, press the button again.
- To stop playback, press the STOP button (23).

In order to operate the following functions, the iPod has to be unlocked.

- To select a playlist, press the PLAYLIST + button (24) or the PLAYLIST - button (25) until the desired playlist is set.
- To enter the iPod menu, press the MENU button (30).
- To enter and navigate through the menu:
 - Press the up/down arrow buttons (32) to select a submenu.
 - Press the right arrow button (32) to enter the submenu.
 - Press the ENTER button (31) to select a setting, or the left arrow button (32) to cancel the selection.
 - To return to the main menu, press the MENU button (30).
- To repeat one or all tracks:
 - Press the REPEAT button (33) once to repeat the current track.
 - Press the button twice to repeat all tracks.
 - Press the button three times to cancel the function.



In order to operate the REPEAT or PLAYLIST function, the iPod has to support these functions.

5.3 Radio functions

- To select a preset radio station, press the CH +/- buttons (35/36) to zap through the list.
- To search for a specific frequency, press the SEARCH + button (21) or the SEARCH - button (22) repeatedly until the desired frequency is set.
- To search automatically, press and hold the SEARCH + button (21) or the SEARCH - button (22). The appliance searches for the next available station.
- To improve the reception of the FM frequency, press the ST/MO button (20).



To improve the reception of the FM frequency, extend the aerial antenna.

Programming radio stations

Per radio band (FM), 20 radio stations can be preset.

- Press the SEARCH + button (21) or the SEARCH - button (22) repeatedly until the desired frequency is set.
- Press the MEMORY button (26).
- Press the CH - button (34) or the CH + button (35) to select the preset memory number.
- Press the MEMORY button (26) to confirm the selection.

5.4 Clock functions

With the clock function, the following parameters can be set:

- current time
- alarm time (incl. alarm mode, snooze time)
- Press and hold the TIME button (37). The clock icon (17) appears on the display. The hour digits start flashing.
- Set the current time:
 - Press the PREV button (34) or the NEXT button (35) to set the desired hour.
 - Press the TIME button (37) to confirm. The minute digits start flashing.
 - Press the PREV button (34) or the NEXT button (35) to set the desired minutes.
 - Press the TIME button (37) to confirm. The second digits start flashing.
 - Press the PREV button (34) or the NEXT button (35) to set the desired seconds.
 - Press the TIME button (37) to confirm. The alarm icon (15) appears on the display. The hour digits start flashing.
- Set the alarm time:

Two time slots are available (ALARM1 and ALARM2).

To set ALARM1:

- Press the PREV button (34) or the NEXT button (35) to set the desired hour.
- Press the TIME button (37) to confirm. The minute digits start flashing.
- Press the PREV button (34) or the NEXT button (35) to set the desired minutes.
- Press the TIME button (37) to confirm. The alarm mode flashes on the display.

- Press the PREV button (34) to set the desired alarm mode (RADIO/AUX-IN/BUZZER/IPOD).
- Press the TIME button (37) to confirm. The alarm icon (16) appears on the display. The hour digits start flashing.

To set ALARM2:

- Press the PREV button (34) or the NEXT button (35) to set the desired hour.
- Press the TIME button (37) to confirm. The minute digits start flashing.
- Press the PREV button (34) or the NEXT button (35) to set the desired minutes.
- Press the TIME button (37) to confirm. The alarm mode flashes on the display.
- Press the PREV button (34) to set the desired alarm mode (RADIO/AUX-IN/BUZZER/IPOD).
- Press the TIME button (37) to confirm. The snooze time appears on the display.
- Set the snooze time:
 - Press the PREV button (34) or the NEXT button (35) to set the snooze time (5, 6, 7 .. 12 min).
 - Press the TIME button (37) to confirm.



- To set the time, the appliance must be switched off.
- During a power failure, or when unplugging the appliance, the time settings are lost.

Check the settings

The clock settings can be checked when the appliance is switched on.

- Press the TIME button (37). The current time appears on the display.
- Press the button once again. The ALARM1 time appears on the display.
- Press the button once again. The ALARM1 mode appears on the display.
- Press the button once again. The ALARM2 time appears on the display.
- Press the button once again. The ALARM2 mode appears on the display.
- Press the button once again. The snooze time appears on the display.

5.5 Setting the SLEEP function

- Select the desired radio station.
- Press and hold the SLEEP button (37). The sleep time (00 min) appears on the display.
- Press the button repeatedly until the desired setting is found (10, 20, 30 .. 90 min). The SLEEP indicator (14) is ON.

The appliance stops playing after the chosen time has elapsed.

- To cancel the SLEEP function, press the SLEEP button (37).

5.6 Alarm function

- Press the TIME button (37).

To activate ALARM1:

- Press the ALARM1 button (34) once. The ALARM1 indicator (15) is ON.
- To cancel the alarm, press the ALARM1 button (34) once again.

To activate ALARM2:

- Press the ALARM2 button (35) once. The ALARM2 indicator (16) is ON.
- To cancel the alarm, press the ALARM2 button (35) once again.

Snooze alarm

- To snooze the alarm, press the SNOOZE button (18) once. The alarm sounds again after the snooze time has elapsed.
- To stop the alarm, press the STANDBY button (18). The alarm is automatically set for the next day.

6. Cleaning and maintenance



WARNING

Before performing any cleaning or maintenance, switch off and unplug the appliance.

- Clean the outside of the appliance with a soft cloth. When the appliance is very dirty, dampen the cloth slightly with water and a neutral solution.

7. Troubleshooting

Trouble	Action
No sound or incomplete audio	Check if the correct source is selected. Check volume or mute setting. Check if the random equipment are switched on and set correctly. Check cables for connection problems.
No power	Check if the power cord has been properly connected to the power outlet.
The operation keys do not work.	Internal error. Reset the appliance.

Radio

Trouble	Action
Noise or sound distorted on FM broadcasts.	Station is not tuned properly. Adjust tuning control. Wire aerial is not positioned correctly. Extend the aerial.
FM stereo indicator does not light.	Selected station broadcasts in mono Extend the aerial. Station signal is too weak. Try other strong stations.

iPod

Trouble	Action
iPod volume control does not increase audio volume	iPod volume control only controls the volume output to the headphone jack. Set the unit volume control when the iPod is docked on the unit.
No response to REPEAT or PLAYLIST function.	iPod does not support these functions.

AUX

Trouble	Action
No sound on the unit system.	Input source is low. Increase the volume level on the audio source device.

8. Technical data

Parameter	Value
Voltage	100 ~ 240V _{AC} / 50 ~ 60 Hz
Power consumption	< 15 W
Max power output	2 x 3 W
Radio bands	FM
Dimensions (W x H x D)	391 x 152 x 98 mm
Weight	1290 g

Frequency range

Parameter	Value
FM radio	87,5 ~ 108 mHz

Remote control

Parameter	Value
Power consumption	3 V
Battery size	CR2025

9. Disposal of used electrical and electronic equipment



The meaning of the symbol on the material, its accessory or packaging indicates that this product shall not be treated as household waste. Please, dispose of this equipment at your applicable collection point for the recycling of electrical and electronic equipments waste. In the European Union and Other European countries which there are separate collection systems for used electrical and electronic product. By ensuring the correct disposal of this product, you will help prevent potentially hazardous to the environment and to human health, which could otherwise be caused by unsuitable waste handling of this product. The recycling of materials will help conserve natural resources. Please do not therefore dispose of your old electrical and electronic equipment with your household waste.

For more detailed information about recycling of this product, please contact your local city office, your household waste disposal service or the shop where you purchased the product.

For more information and warranty conditions, please visit: www.akai.eu