

# AKAI

## D-light light alarm

ARW100



User manual

Gebruiksaanwijzing

Manuel de l'utilisateur

Manual de instrucciones

Gebrauchsanleitung

Οδηγίες χρήσεως

Brugsanvisning

GB 2

NL 14

FR 27

ES 40

DE 52

EL 65

DA 78

## Table of contents

<b>1.</b>	<b>Safety</b> .....	<b>3</b>
	1.1 Intended use .....	3
	1.2 Labels in this manual .....	3
	1.3 General safety instructions .....	3
<b>2.</b>	<b>Preparations for use</b> .....	<b>4</b>
	2.1 Unpacking .....	4
	2.2 Package contents .....	4
<b>3.</b>	<b>Installation</b> .....	<b>5</b>
	3.1 Battery backup .....	6
<b>4.</b>	<b>Functions</b> .....	<b>7</b>
	4.1 Clockradio .....	7
<b>5.</b>	<b>Operation</b> .....	<b>8</b>
	5.1 Clock functions.....	8
	5.2 Setting the SLEEP function.....	10
	5.3 Alarm function .....	10
	5.4 Radio functions .....	10
	5.5 Resetting the appliance .....	11
<b>6.</b>	<b>Cleaning and maintenance</b> .....	<b>11</b>
	6.1 Replacing the light bulb.....	11
<b>7.</b>	<b>Troubleshooting</b> .....	<b>12</b>
<b>8.</b>	<b>Technical data</b> .....	<b>12</b>
<b>9.</b>	<b>Disposal of used electrical and electronic equipment</b> .....	<b>13</b>

## Copyright notice

Design and specifications are subject to change without notice.

# 1. Safety

## 1.1 Intended use

The Clockradio wakes you up with music from radio broadcast or nature sounds. The light function simulates a natural wake-up process which allows you to gradually accustomise to daytime conditions. The clock function includes an alarm and sleep program. Read the manual carefully before the first use.

## 1.2 Labels in this manual



### WARNING

A warning means that injury or death is possible if the instructions are not obeyed.



### CAUTION

A caution means that damage to the equipment is possible.



A note gives additional information, e.g. for a procedure.

## 1.3 General safety instructions



### WARNING

Do not put force on the appliance. The appliance can fall and can cause serious injury.



### CAUTION

Do not spill any liquid on the appliance.



### WARNING

Do not insert any objects in the ventilation holes.



### CAUTION

Do not block the ventilation holes.



This appliance is double insulated; therefore no earth wire is required. Always check that the mains voltage corresponds to the voltage on the rating plate.

## 2. Preparations for use

### 2.1 Unpacking

- Unpack the appliance carefully.
- Check the package contents as described below. If any item is missing, please contact your reseller.
- Remove the labels from the front panel carefully if present.



We recommend that you retain the original carton and packing materials in case it ever becomes necessary to return your product for service. This is the only way to safely protect the product against damage in transit. If you do dispose of the carton and the packing materials, please remember to recycle with due care to the environment.

### 2.2 Package contents

The following items are included in the received package:

- 1 Clockradio
- 1 Operator manual



If any item is missing, please contact your reseller.

### 3. Installation

- Put the appliance on a horizontal flat surface.
- Connect the appliance to the mains.



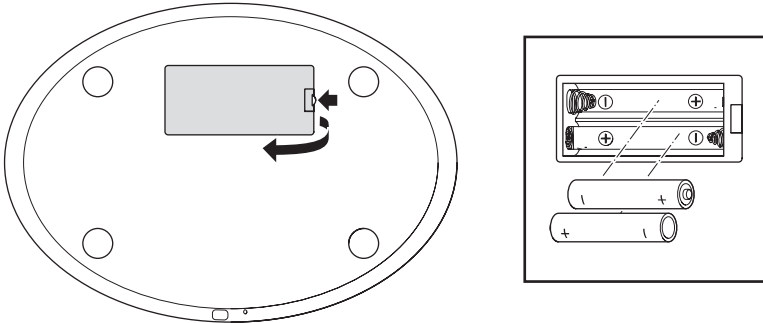
#### CAUTION

- Do not put the appliance near a heat source.
- Do not expose the appliance to direct sunlight.



This appliance is equipped with rubber feet to prevent it from moving. The feet are made from non-migrating material specially formulated to avoid leaving any marks or stains on furniture. However, certain types of furniture polishes, wood preservatives or cleaning sprays cause the rubber to soften and leave marks or a residue on the furniture, and potentially risk the surface to become damaged. To prevent damage to wooden surfaces, we recommend that you apply self-adhesive pads to the bottom of the rubber feet before installation.

### 3.1 Battery backup



In case of a power failure, the appliance relies on battery backup. For this purpose, the appliance uses two batteries (AAA). The appliance remembers the time, but does not display it.



- Batteries are not included with this appliance.
- Batteries are not necessary for normal operation.

#### Install batteries

- Remove the battery cover.
- Insert the batteries matching the (+) and (-) polarity markings.
- Re-install the battery cover.



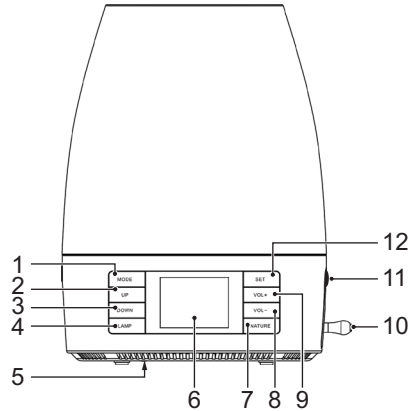
#### CAUTION

Incorrect installation can cause battery leakage and corrosion which will damage the appliance. Corrosion, oxidation, battery leakage and any other gradually acidic defect of this nature will invalidate the guarantee.

# 4. Functions

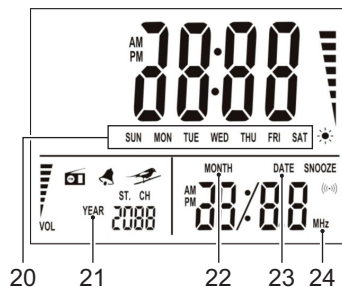
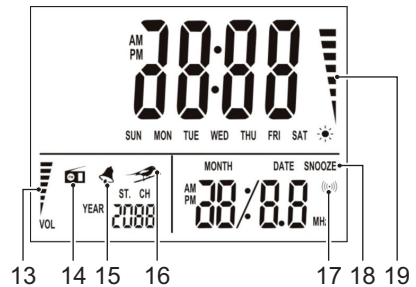
## 4.1 Clockradio

- 1 MODE button
- 2 UP button
- 3 DOWN button
- 4 LAMP button
- 5 RESET button
- 6 Display
- 7 NATURE button
- 8 VOL - button
- 9 VOL + button
- 10 ALARM/SNOOZE switch
- 11 BRIGHTNESS dial
- 12 SET button



### Display

- 13 Volume indicator
- 14 Radio indicator
- 15 Alarm indicator
- 16 Nature sound indicator
- 17 Sleep indicator
- 18 Snooze indicator
- 19 Brightness level indicator
- 20 Day indicator
- 21 Year indicator
- 22 Month indicator
- 23 Date indicator
- 24 Radio frequency indicator



## 5. Operation

- To switch on the radio, press the MODE button (1). The RADIO indicator (14) on the display lights up. Press the UP button (2) or the DOWN button (3) to set the desired station. To switch off the radio, press the MODE button (1) again.
- To switch on the nature sound, press the NATURE button (7). The NATURE indicator (16) on the display lights up. Press the UP button (2) or the DOWN button (3) to set the desired sound (1, 2 .. 7). To switch off the nature sound, press the NATURE button (7) again.
- To adjust the volume, press the VOL + button (9) or the VOL - button (8).
- To switch on the lamp, press the LAMP button (4). To adjust the brightness level, turn the BRIGHTNESS dial (11) until the desired level is set. To switch off the lamp, press the LAMP button (4) again.
- To switch the clock setting between 12H mode and 24H mode, press the UP button (2).
- To switch off the display light, press and hold the LAMP button (4) for a few seconds. To switch the display light back on, repeat the operation once again.

### 5.1 Clock functions

With the clock function, the following parameters can be set: alarm time (incl. alarm mode, snooze time, volume, light brightness) sleep time, current time.

#### Setting the alarm time

- Press and hold the MODE button (1). The alarm icon (15) flashes on the display.
- Set the alarm time:
  - Press the SET button (12). The hour digits start flashing.
  - Press the UP button (2) or the DOWN button (3) to set the desired hour.
  - Press the SET button (12) to confirm. The minute digits start flashing.
  - Press the UP button (2) or the DOWN button (3) to set the desired minutes.
  - Press the SET button (12) to confirm. The alarm mode starts flashing.
- Choose the alarm mode (radio or tone or nature).
- Press the SET button (12). The snooze icon (18) flashes on the display.
- Set the snooze time:
  - Press the UP button (2) or the DOWN button (3) to set the snooze time (5, 6 .. 10 min).
  - Press the SET button (12) to confirm. The volume indicator (13) flashes on the display.



- Set the volume:
  - Press the UP button (2) or the DOWN button (3) to set the desired volume (0, 1, 2 .. 20).
  - Press the SET button (12) to confirm. The light brightness indicator (19) flashes on the display.
- Set the light brightness:
  - Press the UP button (2) or the DOWN button (3) to set the desired light brightness (0, 1, 2 .. 18).
  - Press the MODE button (1) to confirm.

### **Setting the sleep time**

- Press the MODE button (1) once again. The sleep time (120 min) flashes on the display.
- Press the set button repeatedly until the desired setting is found (120, 90, 60, 30, 15, 0 min).

### **Setting the current time**

- Press the MODE button (1) once again. The time, date, month and year indicators flash on the display.
- Press the SET button (12). The hour digits start flashing.
- Press the UP button (2) or the DOWN button (3) to set the desired hour.
- Press the SET button (12) to confirm. The minute digits start flashing.
- Press the UP button (2) or the DOWN button (3) to set the desired minutes.
- Press the SET button (12) to confirm. The year indicator flashes on the display.
- Press the UP button (2) or the DOWN button (3) to set the desired year.
- Press the SET button (12) to confirm. The month indicator flashes on the display.
- Press the UP button (2) or the DOWN button (3) to set the desired month.
- Press the SET button (12) to confirm. The date indicator flashes on the display.
- Press the UP button (2) or the DOWN button (3) to set the desired date.
- Press the MODE button (1) to confirm.



During a power failure, or when unplugging the appliance, the time settings are lost, unless backup batteries are installed.

## 5.2 Setting the SLEEP function

- Select the desired radio station.
- Set the sleep time as described above. The SLEEP indicator (17) is ON. The appliance stops playing after the chosen time has elapsed. The appliance will gradually build down the music volume and/or the light brightness 3 minutes before the stop time.
- To cancel the SLEEP function, set the sleep time to 0 min.

## 5.3 Alarm function

The appliance gradually builds up the light brightness during the last 10 minutes before the alarm time. The appliance gradually builds up the wake-up volume during the first 1.5 minutes after the alarm time.

- To activate the alarm, set the ALARM switch (10) to the ON position. The alarm indicator (15) is ON.
- To cancel the alarm, set the ALARM switch (10) to the OFF position.

### Snooze alarm

- To snooze the alarm, set the ALARM switch (10) to the SNOOZE position. The SNOOZE indicator (18) flashes. The alarm sounds again after the snooze time has elapsed.
- To stop the alarm, set the ALARM switch (10) to the OFF position.

## 5.4 Radio functions



To improve the reception of the FM frequency, extend the aerial antenna.

### Programming radio stations

Per radio band (FM), 30 radio stations can be preset.

- Select a radio program number.
- Press the SET button (12). The frequency setting starts flashing.
- To search for a specific Channel, press the UP button (2) or the DOWN button (3) repeatedly until the desired Channel is set.
- Press the SET button (12) to confirm.

## 5.5 Resetting the appliance

- To restore the default settings of the appliance, press the RESET button (5).

## 6. Cleaning and maintenance

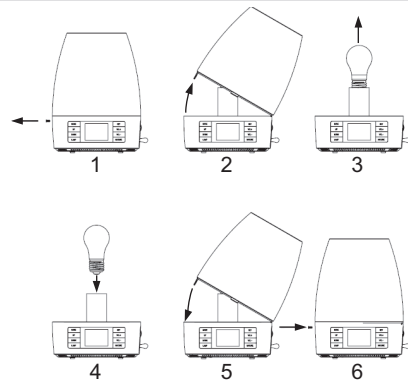


**WARNING** Before performing any cleaning or maintenance, switch off and unplug the appliance.

- Clean the outside of the appliance with a soft cloth. When the appliance is very dirty, dampen the cloth slightly with water and a neutral solution.

### 6.1 Replacing the light bulb

- Remove the screw.
- Take off the lamp shade.
- Fit the light bulb into the fitting.
- Re-install the lamp shade.
- Re-fit the screw.



## 7. Troubleshooting

Trouble	Action
No display	Switch on the appliance.
No sound	Connect the appliance properly.
	Adjust the volume.
	Adjust tuning control.
No light	Connect the appliance properly.
	Adjust the brightness.
	Replace the light bulb.

## 8. Technical data

Parameter	Value
Voltage	230 V <sub>AC</sub> ~ 50 Hz.
Backup voltage	2 x 1,5 V
Power consumption	50 W (max.)
Max power output	1 W
Radio bands	FM
Dimensions (W x H x D)	180 x 220 x 130 mm
Weight	884 g

### Frequency range

Parameter	Value
FM radio	87,5 - 108 mHz

### Lamp

Parameter	Value
Type	Halogen
Size	E27
Max. power	42 W

## 9. Disposal of used electrical and electronic equipment



The meaning of the symbol on the material, its accessory or packaging indicates that this product shall not be treated as household waste. Please, dispose of this equipment at your applicable collection point for the recycling of electrical and electronic equipments waste. In the European Union and Other European countries which there are separate collection systems for used electrical and electronic product. By ensuring the correct disposal of this product, you will help prevent potentially hazardous to the environment and to human health, which could otherwise be caused by unsuitable waste handling of this product. The recycling of materials will help conserve natural resources. Please do not therefore dispose of your old electrical and electronic equipment with your household waste.

For more detailed information about recycling of this product, please contact your local city office, your household waste disposal service or the shop where you purchased the product.

For more information and warranty conditions, please visit: [www.akai.eu](http://www.akai.eu)