

# AKAI

## Projection Clockradio

AR270P



User manual

GB 2

Gebruiksaanwijzing

NL 13

Manuel de l'utilisateur

FR 24

Manual de instrucciones

ES 35

Gebrauchsanleitung

DE 46

Οδηγίες χρήσεως

EL 58

Brugsanvisning

DA 70

## Table of contents

<b>1.</b>	<b>Safety</b> .....	<b>3</b>
	1.1 Intended use .....	3
	1.2 Labels in this manual .....	3
	1.3 General safety instructions .....	3
<b>2.</b>	<b>Preparations for use</b> .....	<b>4</b>
	2.1 Unpacking .....	4
	2.2 Package contents .....	4
<b>3.</b>	<b>Installation</b> .....	<b>4</b>
	3.1 Battery backup .....	5
	3.2 Connecting to the mains .....	6
	3.3 Adjusting the viewing angle .....	6
	4.1 Top panel .....	7
	4.2 Front panel .....	7
	4.3 Side panel .....	7
<b>5.</b>	<b>Operation</b> .....	<b>8</b>
	5.1 Clock functions .....	8
	5.2 Radio functions .....	9
	5.3 Using the SLEEP function .....	10
	5.4 Alarm function .....	10
<b>6.</b>	<b>Cleaning and maintenance</b> .....	<b>11</b>
<b>7.</b>	<b>Troubleshooting</b> .....	<b>11</b>
<b>8.</b>	<b>Technical data</b> .....	<b>11</b>
<b>9.</b>	<b>Disposal of used electrical and electronic equipment</b> .....	<b>12</b>

## Copyright notice

Design and specifications are subject to change without notice.

# 1. Safety

## 1.1 Intended use

The Clock radio plays music from radio. The clock function includes an alarm and sleep program. The time can also be projected onto the wall or the ceiling. Read the manual carefully before first use.

## 1.2 Labels in this manual



### WARNING

A warning means that injury or death is possible if the instructions are not obeyed.



### CAUTION

A caution means that damage to the equipment is possible.



A note gives additional information, e.g. for a procedure.

## 1.3 General safety instructions



### WARNING

Do not put force on the appliance. The appliance can fall and can cause serious injury.



### CAUTION

Do not spill any liquid on the appliance.



### WARNING

Do not insert any objects in the ventilation holes.



### CAUTION

Do not block the ventilation holes.



This appliance is double insulated; therefore no earth wire is required. Always check that the mains voltage corresponds to the voltage on the rating plate.

## 2. Preparations for use

### 2.1 Unpacking

- Unpack the appliance carefully.
- Check the package contents as described below. If any item is missing, please contact your reseller.
- Remove the labels from the front panel carefully if present.



We recommend that you retain the original carton and packing materials in case it ever becomes necessary to return your product for service. This is the only way to safely protect the product against damage in transit. If you do dispose of the carton and the packing materials, please remember to recycle with due care to the environment.

### 2.2 Package contents

The following items are included in the received package:

- 1 Clock radio
- 1 AC/DC adapter + cable
- 1 Operator manual



If any item is missing, please contact your reseller.

## 3. Installation

- Put the appliance on a horizontal flat surface.
- Install the batteries in the appliance.  
Read the paragraph "Installing the batteries".
- Connect the appliance to the mains.  
Read the paragraph "Connecting to the mains".
- Adjust the viewing angle.  
Read the paragraph "Adjusting the viewing angle".



## CAUTION

- Do not put the appliance near a heat source.
- Do not expose the appliance to direct sunlight.



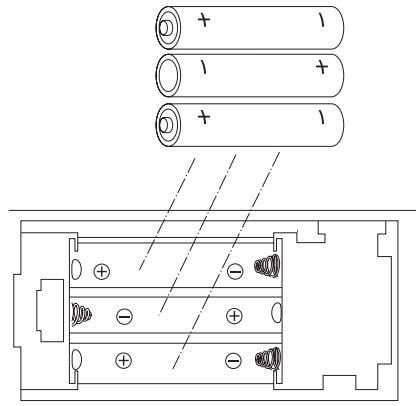
This appliance is equipped with rubber feet to prevent it from moving. The feet are made from non-migrating material specially formulated to avoid leaving any marks or stains on furniture. However, certain types of furniture polishes, wood preservatives or cleaning sprays cause the rubber to soften and leave marks or a residue on the furniture, and potentially risk the surface to become damaged. To prevent damage to wooden surfaces, we recommend that you apply self-adhesive pads to the bottom of the rubber feet before installation.

## 3.1 Battery backup

In case of a power failure, the appliance relies on battery backup. For this purpose, the appliance uses three batteries (AAA). The appliance remembers the time, but does not display it.



- Batteries are not included with this appliance.
- Batteries are not necessary for normal operation.



### Installing the batteries

- Remove the battery cover.
- Insert the batteries matching the (+) and (-) polarity markings.
- Re-install the battery cover.

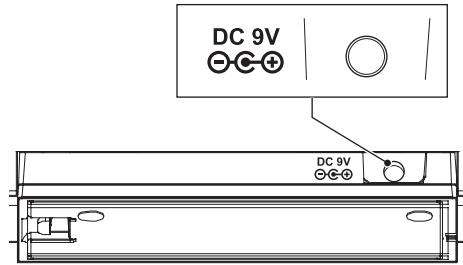


### CAUTION

Incorrect installation can cause battery leakage and corrosion which will damage the appliance. Corrosion, oxidation, battery leakage and any other gradually acidic defect of this nature will invalidate the guarantee.

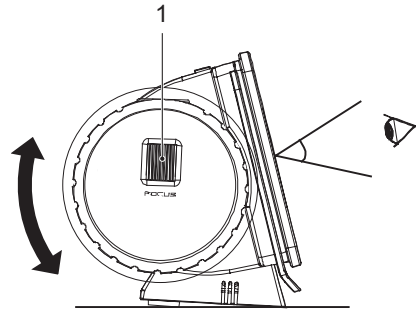
## 3.2 Connecting to the mains

- Connect the adapter plug on the adapter cable to the DC 9V connection.
- Connect the mains plug to a wall socket.

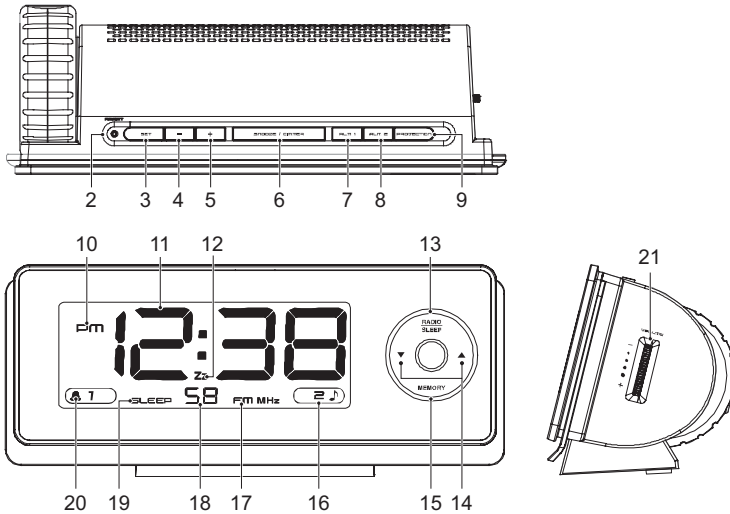


## 3.3 Adjusting the viewing angle

- Turn the FOCUS knob (1) to adjust the viewing angle.



## 4. Functions



### 4.1 Top panel

- |   |              |   |                      |
|---|--------------|---|----------------------|
| 2 | RESET button | 6 | SNOOZE/DIMMER button |
| 3 | SET button   | 7 | ALM 1 button         |
| 4 | - button     | 8 | ALM 2 button         |
| 5 | + button     | 9 | PROJECTION button    |

### 4.2 Front panel

- |    |                    |    |                          |
|----|--------------------|----|--------------------------|
| 10 | PM indicator       | 16 | ALM 2 indicator          |
| 11 | Display            | 17 | Radio band indicator     |
| 12 | Snooze indicator   | 18 | Preset station indicator |
| 13 | RADIO/SLEEP button | 19 | SLEEP indicator          |
| 14 | Arrow buttons      | 20 | ALM 1 indicator          |
| 15 | MEMORY button      |    |                          |

### 4.3 Side panel

- |    |             |
|----|-------------|
| 21 | VOLUME dial |
|----|-------------|

## 5. Operation

- To adjust the volume level, turn the VOLUME dial (21) to the required position.
- To set the display brightness, press the SNOOZE/DIMMER button (6).
- To project the time onto the wall or the ceiling, press the PROJECTION button (9).

### 5.1 Clock functions

#### Setting the current time

- Press the SET button (3) once. The display (11) shows the time and flashes.
- Press the + button (5) or the - button (4) to set the current time. Press and hold the corresponding button to accelerate the process.

#### Setting the time format

- Press the SET button (3) twice. The display (11) shows 24Hr and flashes.
- Press the + button (5) or the - button (4) to switch between 12Hr and 24Hr. If 12Hr is selected, the PM indicator (10) will come on.

#### Setting the snooze duration

- Press the SET button (3) thrice. The snooze indicator (12) comes on. The display (11) shows 05 and flashes.
- Press the + button (5) or the - button (4) to set the snooze duration (5 to 60 minutes).



During a power failure, or when unplugging the appliance, the time settings are lost, unless backup batteries are installed.

#### Setting the alarm time

The alarm time can be set in radio and tone mode. Two time slots are available (ALM 1 and ALM 2).

- Press the alarm button (7/8). The display (11) shows 6:00 and flashes.
- Press the + button (5) or the - button (4) to set the alarm time. Press and hold the corresponding button to accelerate the process.



- Press the alarm button (7/8) again to confirm. The corresponding alarm indicator (20/16) comes on.



During a power failure, or when unplugging the appliance, the time settings are lost, unless backup batteries are installed.

## 5.2 Radio functions

- To switch on the radio, press the RADIO/SLEEP button (13) once. The display (11) shows ON and flashes.
- Press the arrow buttons (up and down) (14) to select a frequency or radio station. Press and hold the corresponding button to accelerate the process.
- To adjust the volume level, turn the VOLUME dial (21) to the required position.
- To switch off the radio, press the RADIO/SLEEP button (13) again.



The MEMORY function can be used to select a preset radio station. Read the paragraph "Using the MEMORY function".



To improve the reception of the FM frequency, extend the aerial antenna.

### Using the MEMORY function

The MEMORY function can be used to preset a maximum of 5 radio stations.

- To switch on the radio, press the RADIO/SLEEP button (13) once.
- Press the arrow buttons (up and down) (14) to select a radio station.
- Press and hold the MEMORY button (15) until the display (11) shows MEM and 01 flashes.
- Press the MEMORY button (15) again to save the radio station.
- Repeat the last 3 steps to preset another radio station.
- To edit a preset radio station, press the arrow buttons (up and down) (14) to select a preset radio station. Repeat the previous steps to save the radio station.
- To listen to a preset radio station, press the MEMORY button (15) to select a preset radio station while the radio is switched on.

## 5.3 Using the SLEEP function

- To activate the SLEEP function, press the RADIO/SLEEP button (13) twice. The SLEEP indicator (20) comes on. The display (11) shows 5 and flashes.
- To set the sleep timer (10/15/30/45/60/75/90), press and hold the RADIO/SLEEP button (13).

The appliance stops playing after the chosen time has elapsed.

- To check the remaining time, press the RADIO/SLEEP button (13).
- To cancel the SLEEP function, press the SNOOZE/DIMMER button (6).

## 5.4 Alarm function

This function is available in radio and tone mode. Two time slots are available (ALM 1 and ALM 2).

- Choose the alarm mode (radio or tone).
- To set the alarm:
  - Press the alarm button (7/8) once to view the time.
  - Press the alarm button (7/8) twice to wake up by radio.  
The corresponding icon appears in the display (11).
  - Press the alarm button (7/8) thrice to wake up by tone.  
The corresponding icon appears in the display (11).
- For radio alarm:
  - Switch on the radio.
  - Select the desired radio station.
  - Adjust the volume.

### Snooze alarm

The default snooze time is: 9 minutes.

- To snooze the alarm, press the SNOOZE/DIMMER button (6) while the alarm sounds. The alarm sounds again after the snooze time has elapsed.
- To stop the alarm, press the alarm button (7/8) while the alarm sounds. The alarm is automatically set for the next day.

## 6. Cleaning and maintenance



### WARNING

Before performing any cleaning or maintenance, switch off and unplug the appliance.

- Clean the outside of the appliance with a soft cloth. When the appliance is very dirty, dampen the cloth slightly with water and a neutral solution.

## 7. Troubleshooting

Trouble	Action
No display	Connect the appliance properly. Press the RESET button using a thin object and set the time again.
No sound	Connect the appliance properly. Adjust the volume. Adjust the tuning control.

## 8. Technical data

Parameter	Value
Voltage	230 V <sub>AC</sub> ~ 50 Hz
Backup voltage	9 V
Power consumption	< 1.5 W
Standby power consumption	0.6 +/-0.2 W
Max. power output	1.1 +/-0.2 W
Radio bands	FM
Dimensions (W x H x D)	190 x 80 x 65 mm
Weight	290 g

### Frequency range

Parameter	Value
FM radio	87.5 - 108 MHz

## 9. Disposal of used electrical and electronic equipment



The meaning of the symbol on the material, its accessory or packaging indicates that this product shall not be treated as household waste. Please, dispose of this equipment at your applicable collection point for the recycling of electrical and electronic equipments waste. In the European Union and Other European countries which there are separate collection systems for used electrical and electronic product. By ensuring the correct disposal of this product, you will help prevent potentially hazardous to the environment and to human health, which could otherwise be caused by unsuitable waste handling of this product. The recycling of materials will help conserve natural resources. Please do not therefore dispose of your old electrical and electronic equipment with your household waste.

For more detailed information about recycling of this product, please contact your local city office, your household waste disposal service or the shop where you purchased the product.

For more information and warranty conditions, please visit: [www.akai.eu](http://www.akai.eu)