

AKAI

Clock Radio

AR170D



User manual

Gebruiksaanwijzing

Manuel de l'utilisateur

Manual de instrucciones

Gebrauchsanleitung

Οδηγίες χρήσεως

GB 2

NL 13

FR 24

ES 35

DE 46

EL 57

Table of contents

1.	Safety	3
	1.1 Intended use	3
	1.2 Labels in this manual	3
	1.3 General safety instructions	3
2.	Preparations for use	4
	2.1 Unpacking	4
	2.2 Package contents	4
3.	Installation	5
	3.1 Battery backup	6
4.	Functions	7
5.	Operation	8
	5.1 Set the time	8
	5.2 Radio functions	8
	5.3 Clock functions	9
	5.4 Alarm function	9
6.	Cleaning and maintenance	10
7.	Troubleshooting	11
8.	Technical data	11
9.	Disposal of used electrical and electronic equipment	12

Copyright notice

Design and specifications are subject to change without notice.

1. Safety

1.1 Intended use

The Clockradio plays music from radio. The clock function includes an alarm and sleep program. Read the manual carefully before the first use.

1.2 Labels in this manual



WARNING

A warning means that injury or death is possible if the instructions are not obeyed.



CAUTION

A caution means that damage to the equipment is possible.



A note gives additional information, e.g. for a procedure.

1.3 General safety instructions



WARNING

Do not put force on the appliance. The appliance can fall and can cause serious injury.



CAUTION

Do not spill any liquid on the appliance.



WARNING

Do not insert any objects in the ventilation holes.



CAUTION

Do not block the ventilation holes.



This appliance is double insulated; therefore no earth wire is required. Always check that the mains voltage corresponds to the voltage on the rating plate.

2. Preparations for use

2.1 Unpacking

- Unpack the appliance carefully.
- Check the package contents as described below. If any item is missing, please contact your reseller.
- Remove the labels from the front panel carefully if present.



We recommend that you retain the original carton and packing materials in case it ever becomes necessary to return your product for service. This is the only way to safely protect the product against damage in transit. If you do dispose of the carton and the packing materials, please remember to recycle with due care to the environment.

2.2 Package contents

The following items are included in the received package:

- 1 Clockradio
- 1 Operator manual



If any item is missing, please contact your reseller.

3. Installation

- Put the appliance on a horizontal flat surface.
- Connect the appliance to the mains.



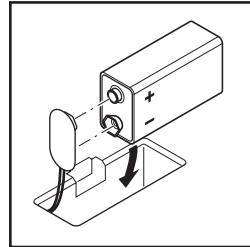
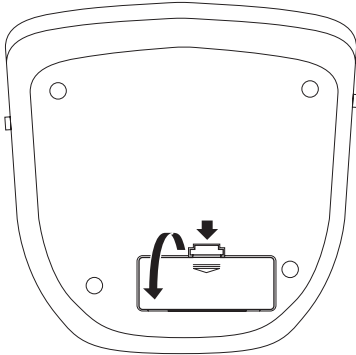
CAUTION

- Do not put the appliance near a heat source.
- Do not expose the appliance to direct sunlight.



This appliance is equipped with rubber feet to prevent it from moving. The feet are made from non-migrating material specially formulated to avoid leaving any marks or stains on furniture. However, certain types of furniture polishes, wood preservatives or cleaning sprays cause the rubber to soften and leave marks or a residue on the furniture, and potentially risk the surface to become damaged. To prevent damage to wooden surfaces, we recommend that you apply self-adhesive pads to the bottom of the rubber feet before installation.

3.1 Battery backup



In case of a power failure, the appliance relies on battery backup. For this purpose, the appliance uses one battery (9V). The appliance remembers the time, but does not display it.



- Batteries are not included with this appliance.
- Batteries are not necessary for normal operation.

Install batteries

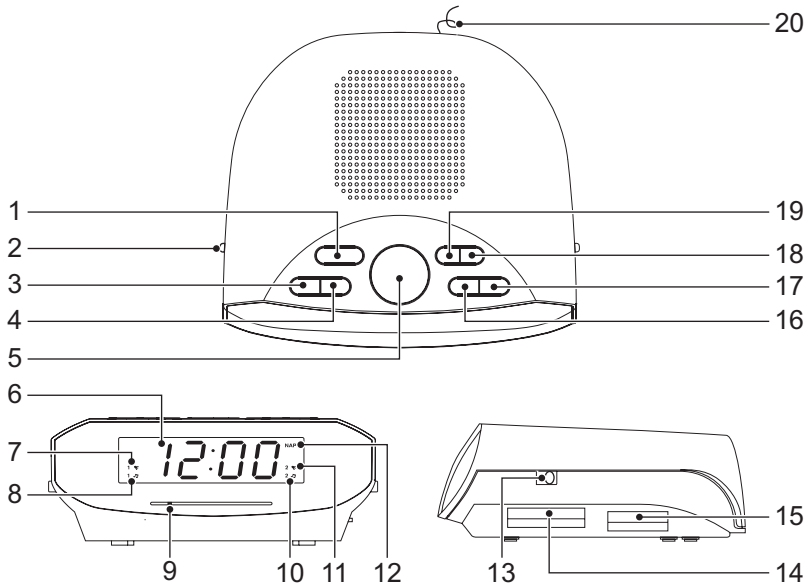
- Remove the battery cover.
- Insert the batteries matching the (+) and (-) polarity markings.
- Re-install the battery cover.



CAUTION

Incorrect installation can cause battery leakage and corrosion which will damage the appliance. Corrosion, oxidation, battery leakage and any other gradually acidic defect of this nature will invalidate the guarantee.

4. Functions



- | | | | |
|----|--------------------------|----|---------------|
| 1 | ON/OFF button | 12 | NAP indicator |
| 2 | SET switch | 13 | BAND switch |
| 3 | REV button | 14 | TUNING dial |
| 4 | FWD button | 15 | VOLUME dial |
| 5 | SNOOZE button | 16 | WAKE1 button |
| 6 | Display | 17 | WAKE2 button |
| 7 | ALARM1 indicator (tone) | 18 | SLEEP button |
| 8 | ALARM1 indicator (music) | 19 | NAP button |
| 9 | Radio tuning scale | 20 | FM antenna |
| 10 | ALARM2 indicator (music) | | |
| 11 | ALARM2 indicator (tone) | | |

5. Operation

- To switch on the appliance, press the ON/OFF button (1). To switch off the appliance, press the ON/OFF button (1) again.
- To adjust the volume level, turn the VOLUME dial (15) until the desired level is set.

5.1 Set the time

- Connect the appliance to the mains. The default time (0:00) flashes on the display.
- Slide the SET switch (2) to the TIME position.
- Press the FWD button (4) and the REV button (3) until the desired time is set.
- Slide the SET switch (2) to the LOCK position to confirm the setting.



- To set the time, it is not necessary to switch on the appliance.
- During a power failure, or when unplugging the appliance, the time settings are lost, unless backup batteries are installed.

5.2 Radio functions

- To select the radio band, slide the BAND switch (13) to the AM or FM position.
- To select a frequency or radio station, turn the TUNING dial (14) until the desired frequency is set.



To improve the reception of the FM frequency, extend the aerial antenna. To improve the reception of the AM frequency, turn the appliance.

5.3 Clock functions

Setting the SLEEP function

- Select the desired radio station as explained above.
- Press the SLEEP button (18). The sleep time is set at 59 minutes.
- To adjust the sleep time, hold the SLEEP button (18). Press the FWD button (4) and the REV button (3) until desired period is set (1 - 120 min). The appliance stops playing after the chosen time has elapsed.
- To cancel the SLEEP function, press the SNOOZE button (5) or the ON/OFF button (1).

5.4 Alarm function

This function is available in radio and tone mode. For radio alarm:

- Switch on the appliance.
- Select the desired radio station.
- Adjust the volume.
- Switch off the appliance.

Two time slots are available (ALARM1 and ALARM2).

To set ALARM1:

- Choose the alarm mode (radio or tone). Press the WAKE1 button (16) once to wake up by tone. Press the button twice to wake up by radio.
 - For tone alarm, the indicator (7) is ON.
 - For radio alarm, the indicator (8) is ON.
- Slide the SET switch (2) to the WAKE1 position.
- Press the FWD button (4) or the REV button (3) to set the alarm time.
- Slide the SET switch (2) to the LOCK position to confirm the setting.
- To cancel the alarm, press the WAKE1 button (16) once.

To set ALARM2:

- Choose the alarm mode (radio or tone). Press the WAKE2 button (17) once to wake up by tone. Press the button twice to wake up by radio.
 - For tone alarm, the indicator (11) is ON.
 - For radio alarm, the indicator (10) is ON.
- Slide the SET switch (2) to the WAKE2 position.
- Press the FWD button (4) or the REV button (3) to set the alarm time.
- Slide the SET switch (2) to the LOCK position to confirm the setting.
- To cancel the alarm, press the WAKE2 button (17) once.

Snooze alarm

The default snooze time is: 9 minutes.

- To snooze the alarm, press the SNOOZE button (5) once. The alarm sounds again after the snooze time has elapsed.
- To stop the alarm, press the ON/OFF button (1). The alarm is automatically set for the next day.

Set the snooze alarm

- Press and hold the SNOOZE button (5).
- Press the FWD button (4) or the REV button (3) to set the snooze time (1-30 minutes).
- Release the SNOOZE button (5). The snooze time is set.

Set the NAP function

In this function the alarm can be set quickly for a short period of time. This function is available in tone mode.

- Press the NAP button (19). The NAP indicator (12) flashes.
- Press the FF button (4) or the REV button (3) to set the nap time (10-120 minutes).
- Press the NAP button (19) to confirm the selection. The NAP indicator (12) is ON.
- To cancel the NAP function, hold the NAP button (19) until the NAP indicator (12) is OFF.

6. Cleaning and maintenance



WARNING

Before performing any cleaning or maintenance, switch off and unplug the appliance.

- Clean the outside of the appliance with a soft cloth. When the appliance is very dirty, dampen the cloth slightly with water and a neutral solution.

7. Troubleshooting

Trouble	Action
No display	Switch on the appliance. Connect the appliance properly. Select the correct function with the BAND switch (13).
No sound	Connect the appliance properly. Adjust the volume. Adjust the tuning control.

8. Technical data

Parameter	Value
Voltage	230 V _{AC} ~ 50 Hz.
Backup voltage	9 V
Power consumption	2.3 W
Standby power consumption	1.5 W
Max power output	1 W
Radio bands	AM/FM
Dimensions (W x H x D)	162 x 68 x 135 mm
Weight	533 g

Frequency range

Parameter	Value
AM radio	540 kHz - 1600 kHz
FM radio	88 MHz - 108 MHz

9. Disposal of used electrical and electronic equipment



The meaning of the symbol on the material, its accessory or packaging indicates that this product shall not be treated as household waste. Please, dispose of this equipment at your applicable collection point for the recycling of electrical and electronic equipments waste. In the European Union and Other European countries which there are separate collection systems for used electrical and electronic product. By ensuring the correct disposal of this product, you will help prevent potentially hazardous to the environment and to human health, which could otherwise be caused by unsuitable waste handling of this product. The recycling of materials will help conserve natural resources. Please do not therefore dispose of your old electrical and electronic equipment with your household waste.

For more detailed information about recycling of this product, please contact your local city office, your household waste disposal service or the shop where you purchased the product.

For more information and warranty conditions, please visit: www.akai.eu