

AKAI





Portable Radio/ (MP3)CD-player



APRC11M

WARNINGS

To reduce the risk of fire or electric shock, do not expose this appliance to rain or moisture.

EXPLANATION OF GRAPHIC SYMBOLS

	CAUTION RISK OF ELECTRIC SHOCK DO NOT OPEN	
<p>WARNING: TO REDUCE THE RISK OF ELECTRIC SHOCK. DO NOT REMOVE COVER. NO USER SERVICEABLE PARTS INSIDE. REFER SERVICING TO QUALIFIED SERVICE PERSONNEL.</p>		

	<p>The lightning flash with arrowhead symbol, with an equilateral triangle, is intended to alert user to the presence of uninsulated "dangerous voltage" within the product enclosure that may be of sufficient magnitude to constitute a risk of electric shock to persons.</p>
	<p>The exclamation point within an equilateral triangle is intended to alert the user to the presence of important operating and maintenance (servicing) instruction in the literature accompanying the appliance.</p>

HAZARD WARNING: TO REDUCE THE RISK OF FIRE OR ELECTRIC SHOCK, DO NOT EXPOSE THIS PRODUCT TO RAIN OR MOISTURE.

CLASS 1 LASER PRODUCT
APPAREIL À LASER DE CLASSE 1
PRODUIT LASER DE CLASSE 1

CAUTION
INVISIBLE LASER RADIATION WHEN
OPEN AND INTERLOCK FAILED OR
DEFEATED. AVOID DIRECT EXPOSURE TO
LASER BEAM



This product contains a low-power laser emitter.

PRECAUTIONS FOR USE

To ensure safe, appropriate use of your personal CD player, please follow the advice below:

Location

- Do not use the product in extremely hot, cold, dusty or damp conditions.
- Place the product on a smooth, flat surface.
- Ensure that air is free to circulate through the product. Do not use it in a poorly ventilated place, cover it with a cloth or place it on carpet.

Power supply voltage

- Before using the product, check that its rated Voltage is suitable for your mains supply.

Safety precautions

- When you plug in or unplug the power cord, always Hold the plug rather than the cable. Pulling the cord Could damage it and create a hazard.
- Always unplug the product from the mains if you do Not intend to use it for an extended period.
- The On/Off button does not disconnect the product From the mains power supply. To disconnect the Product from the power supply, you must unplug the Power cord.
- This product should only be used in a horizontal Position.

Condensation

- Water droplets or condensation may form inside the CD player if it is left in a warm, damp atmosphere.
- The product may not operate correctly if Condensation forms inside it.
- Leave the product in a warm, dry room for 1 to 2 Hours to allow the condensation to evaporate.

In the event of a problem, unplug the power cord and Contact a qualified repair technician.

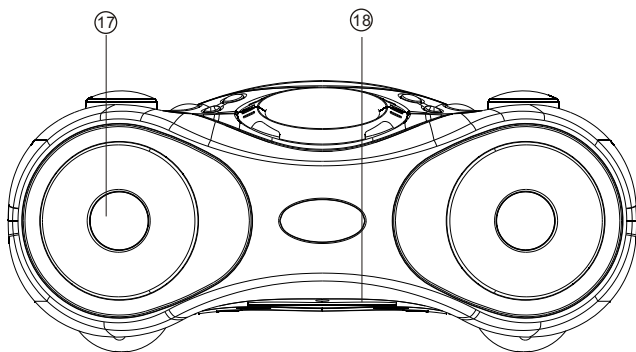
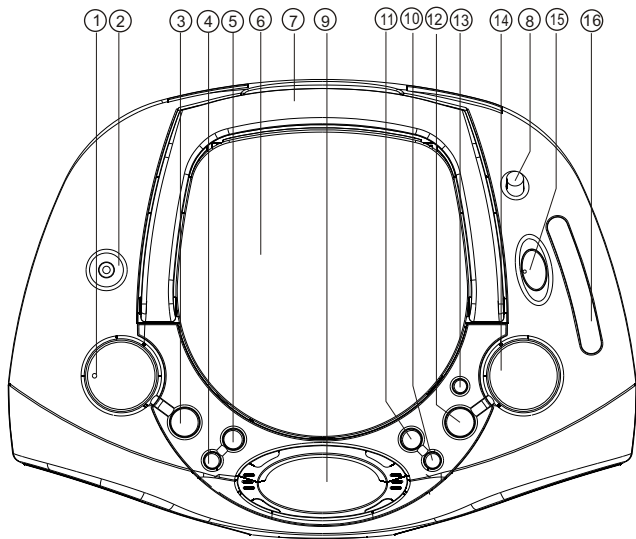
Warning: Ventilation

Your personal CD player has ventilation holes, which Should never be obstructed.

Liquid warning:

- Never allow liquids to splash or drip onto the product. Never place a liquid-filled container (e.g. vase, jar, etc.) Above it.
- "The apparatus shall not be exposed to dripping or splashing and that no objects filled with liquids, such as vases, shall be placed on apparatus"
- " The mains plug is used as the disconnect device and it shall remain readily operable. To be completely disconnect the power input, the mains plug of apparatus shall be disconnected from the mains."
- The apparatus will be use in open area,
- the ventilation should not be impeded by covering the ventilation penings with items such as newspaper,] table-cloths, curtains etc
- no naked flame sources such as lighted candles should be placed on the apparatus;
- attention should be drawn to the environmental aspects of battery disposal;
- the use of apparatus in moderate climates.

1



Top and front panels (See 1.)

1. VOLUME
 - adjusts volume level.
2. STEREO HEADPHONE JACK
 - 3.5mm headphone jack.
3. RANDOM

CD/MP3 : play CD/MP3 tracks in random order □□
4. PROG.

CD/Mp3 - programs and reviews programmed track numbers.
5. REPEAT
 - repeats a track/ CD/ program.
6. CD DOOR
 - open or close the CD door.
7. HANDLE
 - carrying the device.
8. TELESCOPIC ANTENNA
 - to improve FM reception.
9. DISPLAY
 - shows the CD functions. .
10. SEARCH ◀◀ / ▶▶

CD/MP3: - skips or searches a passage / previous track.
11. SEARCH ▶▶ / ▶▶▶

CD/MP3: - skips or searches a passage / track forward.
12. . PRESS TO PLAY/ PAUSE
 - starts or pauses CD/MP3 play.
13. STOP/FOLDER
 - stops CD/MP3 playback / + Folder
 - Delete program play back
14. TUNING CONTROL
 - select the AM/FM station.
15. FUNCTION SELECTOR
 - selects the function CD/MP3, OFF or FM,AM .
16. DIAL POINTER WINDOW
 - show AM/FM dial frequency.
17. SPEAKER
 - enhances bass response.
18. BATTERY DOOR
 - battery compartment, for DC12V (LR-14x8).

Power Supply

Whenever convenient, use the power supply if you want to conserve battery life. Make sure you remove the plug from the set and wall outlet before inserting batteries.

Batteries (not included)

open the battery compartment and insert eight batteries, type LR- 14,UM- 2 or C-cells, (preferably alkaline) with the correct polarity as indicated by the “ + ”and “-“. symbols inside the compartment.

Batteries contain chemical substances, so they should be disposed of properly.

Incorrect use of batteries can cause electrolyte leakage and will corrode the compartment or cause the batteries to burst. Therefore:

- . Do not mix battery types: e.g. alkaline with carbonzinc. Only use batteries of the same type for the set.
- . When inserting new batteries, do not try to mix old batteries with the new ones.
- . Remove the batteries if the set is not to be used for a long time.

Using AC Power

- 1 . Check if the power voltage, as shown on the type plate located on the bottom of the set, corresponds to your local AC power supply. If it does not, consult your dealer or service centre.
- 2 . Connect the power cord to the AC MAINS inlet and the wall outlet. The power supply is now connected and ready for use.
- 3 . To switch off completely, unplug the power cord from the wall outlet.
 - Unplug the power cord from the wall outlet to protect your set during heavy thunderstorms.

Switching on/off: Save energy

Whether you are using mains or battery supply, to avoid unnecessary energy consumption always adjust the source selector to off.

General operation

1. To select your sound source adjust the source selector to **CD.MP3/OFF/FM/AM**.
2. Adjust the sound with the **VOLUME** controls.
3. To switch off the set, adjust the source selector to off position.

- For **FM**, pull out the telescopic antenna. Incline and turn the antenna. Reduce its length if the signal is too strong (very close to a transmitter).
- For **AM** the set is provided with a built-in antenna so the telescopic antenna is not needed. Direct the antenna by turning the whole set.

RADIO

Radio reception

1. Slide the **FUNCTION** selector to FM/AM.
2. Rotate the **TUNING** control to find the desired stations.
3. When you have finished listening, slide the **FUNCTION** selector to the OFF position.

CD PLAYER

CD Player

Playing a CD/Mp3

This CD-player can play Audio Discs, CD-R and CD-Rewritable. Do not try to play CD-ROM, CDi, VCD, DVD or computer CD.

1. Adjust the source selector to CD.
Display: shows " - " Briefly.
2. To open the CD door, press the CD door at the edge marked **OPEN**.
3. Insert a CD, CD-R or CD-RW with the printed side facing up and press the CD door gently close.
4. Press **PLAY/PAUSE** on the set to start play back.
5. To pause playback press **PLAY / PAUSE** to resume, press **PLAY/PAUSE** again.
6. To stop CD playback, press **STOP**
7. In MP3 playing mode, press "logo " **STOP/ FOLDER** to select the desired Album.

Note: CD play will also stop when:

- you open the CD compartment;
- you select RADIO sound source;
- the CD has reached to the end.

Selecting a different track CD/Mp3

During playback you can use **◀** or **▶** to select a particular track.

- If you have selected a track number in the stop or pause position, press **PLAY/PAUSE** to start playback.
- Press **▶** once briefly for the next track, or press repeatedly until the desired track number appears in the display.
- Press **◀** once briefly to return to the beginning of a current track.
- Press **◀** more than once briefly for a previous track.

Different play modes: Repeat

CD MODE :

- REPEAT 1 > REPEAT ALL > NORMAL

MP3 MODE :

- REPEAT 1 > REPEAT ALBUM > REPEAT ALL > NORMAL

You can program up to 20 titles in arbitrary sequence. You can also program a title more than once.

1. Before programming always press **■ STOP** and then press **PROG**.
On the display you can see „P01“ and „PROG“ blinking.
2. Use **◀◀ / ◀◀ SKIP REV.** or **▶▶ / ▶▶ SKIP FWD.** to select a desired title.
3. Press „PROG.“ once to store the title. The indicators „P“ and „PROG“ are blinking on the display. Please select the next title.
4. Repeat steps 2 and 3 to store further titles.
5. Press **▶▶ PLAY/PAUSE** to start playback of the programmed titles.

Reviewing your set program

- After playing at least one programmed track, press **◀◀** or **▶▶**, the display will show your stored track numbers

Erasing a program

You can erase the contents of the memory by:

- opening the CD door;
- Slide the function selector to Radio or OFF mode;
- In the STOP mode, press **PROG** and then press **STOP**.

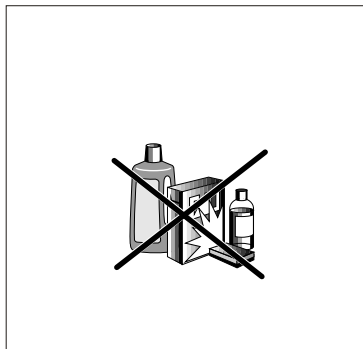
Notice for CDR/CDRW users:

Depending on the type of CD burner, on the disc brand and the burning speed, some reading problems may occur.

MAINTENANCE & SAFETY

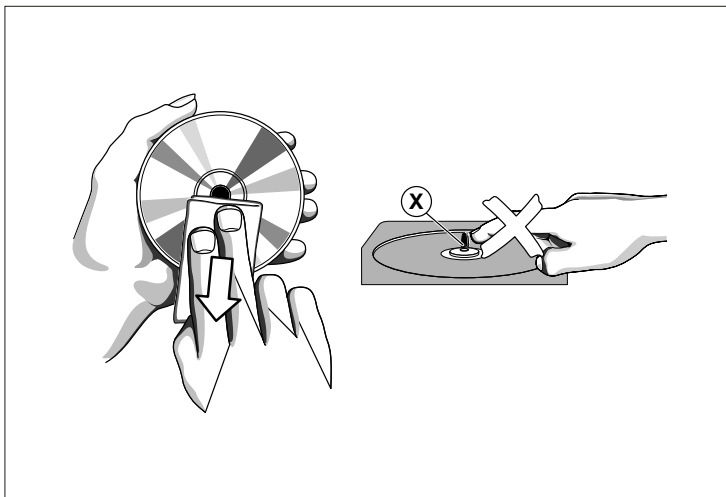
Precautions & General Maintenance

- Place the set on a hard and flat surface so that the system does not tilt.
- Do not expose the set, batteries or CDs to humidity, rain, sand or excessive heat caused by heating equipment or direct sunlight.
- Do not cover the set. Adequate ventilation with a minimum gap of 6 inches between the ventilation holes and surrounding surfaces is necessary to prevent heat build-up.
- The mechanical parts of the set contain self-lubricating bearings and must not be oiled or lubricated.
- To clean the set, use a soft dry cloth. Do not use any cleaning agents containing alcohol, ammonia, benzene or abrasives as these may harm the housing.



CD player and CD handling

- The lens of the CD player should never be touched!
- Sudden changes in the surrounding temperature can cause condensation to form and the lens of your CD player to cloud over. Playing a CD is then not possible. Do not attempt to clean the lens but leave the set in a warm environment until the moisture evaporates.
- Always close the CD door to keep the CD compartment dust-free. To clean, dust the compartment with a soft dry cloth.
- To clean the CD, wipe in a straight line from the centre towards the edge using a soft, lint-free cloth. Do not use cleaning agents as they may damage the disc.
- Never write on a CD or attach any stickers to it.



TROUBLESHOOTING

Troubleshooting

If a fault occurs, first check the points listed below before taking the set for repair. Do not open the set as there is a risk of electric shock.

If you are unable to remedy a problem by following these hints, consult your dealer or service center.

WARNING: Under no circumstances should you try to repair the set yourself, as this will invalidate the warranty.

• Problem Solution

No sound /power

- Volume not adjusted
- Adjust the VOLUME
- power cord not securely connected
- Connect the AC power cord properly
- Batteries dead/ incorrectly inserted
- Insert (fresh) batteries correctly

Display does not function properly / No reaction to operation of any of the controls

- Electrostatic discharge
- Switch off and unplug the set. Reconnect after a few seconds

no disc indication

- No CD inserted
- Insert a CD, CD-R or CD-RW
- CD badly scratched or dirty
- Replace/ clean CD, see Maintenance
- Laser lens steamed up
- Wait until lens has cleared
- CD-R is blank or the disc is not finalized
- Use a finalized CD-R

CD/Mp3 disc playback does not work

- CD badly scratched/ dirty
- Replace/ clean CD (see maintenance)
- Laser lens steamed up
- Wait until lens has adjusted to room temperature

The CD skips tracks

- CD damaged or dirty
- Replace or clean CD
- Program is active
- Quit Program mode(s)

Environmental information

We have done our best to reduce the packaging and make it easy to separate into 3 materials: cardboard, paper pulp and expandable polyethylene. your set consists of materials which can be recycled if disassembled by a specialized compacts. Please observe the local regulations regarding the disposal of packaging, dead batteries and old equipment.

SPECIFICATION

Specifications :

GENERAL

Power supply : AC 230V~50Hz

Power consumption : 14 Watts

Dimensions of unit : 296(W) X 128 (H) X 217 (L) mm.

Frequency range : AM 540 - 1600 kHz.
: FM 87.5 - 108.5 MHz.

AUDIO SECTION

Output Power (RMS) : 2 x 1W R.M.S.

Speaker : 8 Ohms

SPECIFICATION

Specification subjects to be changed without notice.

Power consumption: 14W



This symbol on the product or in the instructions means that your electrical and electronic equipment should be disposed at the end of its life separately from your household waste. There are separate collection systems for recycling in the EU.

For more information, please contact the local authority or your retailer where you purchased the product.

Importer AKAI Benelux Elmarc B.V.Information : www.akai.nl

Corrosion, oxidation, battery-leakage and any other gradually acidic defect of this nature will invalidate the guarantee.

AKAI

AKAI ELECTRIC CO., LTD. JAPAN

www.akai.com