

AKAI

WiFi Internet radio

AIR05W



User manual

Gebruiksaanwijzing

Manuel de l'utilisateur

Manual de instrucciones

Gebrauchsanleitung

Οδηγίες χρήσεως

Brugsanvisning

GB 2

NL 23

FR 44

ES 65

DE 86

EL 107

DA 128

Table of contents

1.	Safety	3
1.1	Intended use	3
1.2	Labels in this manual	3
1.3	General safety instructions	3
2.	Preparations for use	4
2.1	Unpacking	4
2.2	Package contents	4
3.	Installation	4
3.1	Remote control	5
3.2	Connecting to the mains	6
3.3	Connecting to the Internet	6
3.4	Connecting to a PC (Windows XP)	7
3.5	Connecting to a Mac	9
3.6	Registering the appliance	9
4.	Functions	10
4.1	Wi-Fi Internet Radio	10
5.	Operation	12
5.1	Quick start	12
5.2	Internet radio functions	13
5.3	Radio functions	14
5.4	Media player functions	14
5.5	Clock functions	16
5.6	Deactivating the alarm	17
5.7	Setting the SLEEP function	17
5.8	Configuration menu operation	17
6.	Cleaning and maintenance	18
7.	Troubleshooting	19
8.	Technical data	21
9.	Disposal of used electrical and electronic equipment	22

Copyright notice

Design and specifications are subject to change without notice.

1. Safety

1.1 Intended use

The Wi-Fi Internet Radio plays music from Internet radio stations, shared folders on a PC or Mac and FM radio. The clock function includes an alarm and sleep program. Read the manual carefully before first use.

1.2 Labels in this manual



WARNING

A warning means that injury or death is possible if the instructions are not obeyed.



CAUTION

A caution means that damage to the equipment is possible.



A note gives additional information, e.g. for a procedure.

1.3 General safety instructions



WARNING

Do not put force on the appliance. The appliance can fall and can cause serious injury.



CAUTION

Do not spill any liquid on the appliance.



WARNING

Do not insert any objects in the ventilation holes.



CAUTION

Do not block the ventilation holes.



This appliance is double insulated; therefore no earth wire is required. Always check that the mains voltage corresponds to the voltage on the rating plate.

2. Preparations for use

2.1 Unpacking

- Unpack the appliance carefully.
- Check the package contents as described below. If any item is missing, please contact your reseller.
- Remove the labels from the front panel carefully if present.



We recommend that you retain the original carton and packing materials in case it ever becomes necessary to return your product for service. This is the only way to safely protect the product against damage in transit. If you do dispose of the carton and the packing materials, please remember to recycle with due care to the environment.

2.2 Package contents

The following items are included in the received package:

- 1 Wi-Fi Internet Radio
- 1 Remote control
- 2 Batteries (AAA)
- 1 AC/DC adaptor + cable
- 1 Operator manual



If any item is missing, please contact your reseller.

3. Installation

- Put the appliance on a horizontal flat surface.
- Extend the FM antenna.
- Connect the appliance to the mains.
Read the paragraph "Connecting to the mains".
- Install the batteries in the remote control.
Read the paragraph "Remote control".



CAUTION

- Do not put the appliance near a heat source.
- Do not expose the appliance to direct sunlight.



This appliance is equipped with rubber feet to prevent it from moving. The feet are made from non-migrating material specially formulated to avoid leaving any marks or stains on furniture. However, certain types of furniture polishes, wood preservatives or cleaning sprays cause the rubber to soften and leave marks or a residue on the furniture, and potentially risk the surface to become damaged. To prevent damage to wooden surfaces, we recommend that you apply self-adhesive pads to the bottom of the rubber feet before installation.

3.1 Remote control

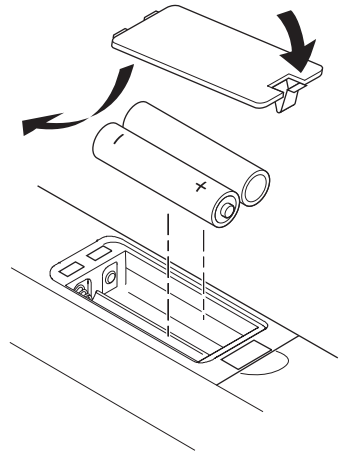
Install batteries

- Remove the battery cover.
- Insert the batteries matching the (+) and (-) polarity markings.
- Re-install the battery cover.



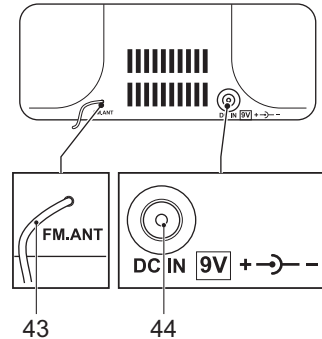
CAUTION

Incorrect installation can cause battery leakage and corrosion which will damage the appliance. Corrosion, oxidation, battery leakage and any other gradually acidic defect of this nature will invalidate the guarantee.



3.2 Connecting to the mains

- Connect the female connector on the mains cable to the DC IN 9 V connection.
- Connect the mains plug to a wall socket.



3.3 Connecting to the Internet

A wireless access point (e.g. wireless router) is used to connect to the Internet. The wireless network is identified with an SSID, the name of the network. If the appliance is used for the first time, set the network name to access the Internet.

Connecting to the Internet automatically

- Switch on the appliance.
- Press the MENU button (18). Rotate or press the VOLUME dial (11) or press the UP button (29) or the DN button (28).
- Navigate to CONFIGURE and press the SELECT button (27).
- Navigate to NETWORK CONFIG and press the SELECT button (27).
- Navigate to SCAN FOR NETWORKS and press the SELECT button (27).
- Navigate to the required network name and press the SELECT button (27).
- If necessary, enter the password. Read the paragraph "General functions".

Connecting to the Internet manually

- Switch on the appliance.
- Press the MENU button (18). Rotate or press the VOLUME dial (11) or press the UP button (29) or the DN button (28).
- Navigate to CONFIGURE and press the SELECT button (27).

- Navigate to NETWORK CONFIG and press the SELECT button (27).
- Navigate to ENTER NETWORK NAME and press the SELECT button (27).
- Enter the network name. Read the paragraph "General functions".
- If necessary, enter the password. Read the paragraph "General functions".

3.4 Connecting to a PC (Windows XP)

The appliance can use media files stored on a PC. For Windows Vista, make sure that the guest account is activated and give the guest account access to the shared folder.

Connecting to a PC using a shared folder with simple file sharing

- On the PC, open Windows Explorer.
- Click FOLDER OPTIONS... from the menu TOOLS.
- Click the tab VIEW.
- Enable the option USE SIMPLE FILE SHARING (RECOMMENDED).
- Click OK.
- Open the folder SHARED DOCUMENTS.
- Create a new folder.
- Copy all audio files to the folder.
- Right-click the new folder and click SHARING AND SECURITY.
- Click the tab SHARING.
- Enable the option SHARE THIS FOLDER ON THE NETWORK.
- Enable the option ALLOW NETWORK USERS TO CHANGE MY FILES.
- Click OK.

Connecting to a PC using a shared folder using password-protected accounts

- On the PC, create an account with a password.
- On the PC, open Windows Explorer.
- Click FOLDER OPTIONS... from the menu TOOLS.
- Click the tab VIEW.
- Disable the option USE SIMPLE FILE SHARING (RECOMMENDED).
- Click OK.
- Open the folder SHARED DOCUMENTS.
- Create a new folder.
- Copy all audio files to the folder.
- Right-click the new folder and click SHARING AND SECURITY.

- Click the tab SHARING.
- Enable the option SHARE THIS FOLDER.
- Click PERMISSIONS.
- Select EVERYONE and click REMOVE.
- Click ADD.
- Click ADVANCED... and FIND NOW.
- Select the user account.
- Set the permissions and click OK.

Connecting to a PC using a shared folder using accounts with no password

- On the PC, open CONTROL PANEL.
- Click ADMINISTRATIVE TOOLS.
- Click LOCAL SECURITY POLICY, LOCAL POLICIES and SECURITY OPTIONS.
- Click ACCOUNT: LIMIT LOCAL ACCOUNT USE OF BLANK PASSWORDS TO CONSOLE LOGON ONLY.
- Select DISABLED and click OK.
- Set up a shared folder as described in the previous section. Leave the password empty.

Connecting to a PC using media sharing (UpnP)

Media sharing uses Windows Media Player 11 or higher as a media server. The PC needs to be configured to allow the appliance to access the audio files.

- Switch on the appliance.
- On the PC, open Windows Media Player.
- Add the audio files to the library.
- Right-click LIBRARY and click MEDIA SHARING....
- Select UNKNOWN DEVICE and click ALLOW.
- Click OK.

3.5 Connecting to a Mac

The appliance can use media files stored on a Mac. To access files stored on a Mac, Windows File Sharing must be activated.

Setting up Windows File Sharing

- On the Mac, open SYSTEM PREFERENCES.
- Click INTERNET & NETWORK.
- Click SHARING.
- Enable the option PERSONAL FILE SHARING and WINDOWS SHARING in the SERVICES section.
- Click START for both services.
- Disable FIREWALL in the FIREWALL section.
- Disable INTERNET SHARING in the INTERNET section.
- Open FINDER and click APPLICATIONS and UTILITIES.
- Press and hold CTRL and click DIRECTORY ACCESS.
- Click GET INFO and make sure that READ/WRITE is enabled.
- Click DIRECTORY ACCESS and enable APPLE TALK, LDAPv3, SLP and SMB/CIFS.
- Click SMB/CIFS to configure the workgroup.
- Copy the audio files to DOCUMENTS in FINDER.
- Make sure that the Mac is connected to the wireless network.

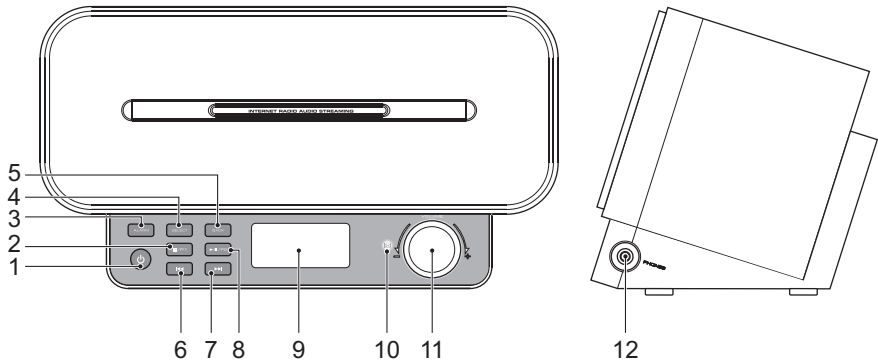
3.6 Registering the appliance

You must register online to add Internet radio stations to the radio station list available on the appliance.

- Get the registration key and the serial number from the configuration menu. Read the paragraph "Configuration menu operation" further on in this manual.
- Go to www.reciva.com and click REGISTER from the homepage.
- Follow the instructions to register. A confirmation e-mail will be sent.
- Log on.
- Click MY RADIOS.
- Enter the registration key and the serial number.
- Click ADD RADIO.

4. Functions

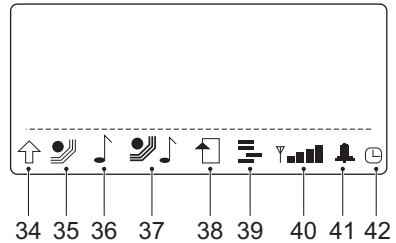
4.1 Wi-Fi Internet Radio



- | | | | |
|---|------------------|----|------------------------|
| 1 | ON/OFF button | 7 | NEXT button |
| 2 | STOP / P1 button | 8 | PLAY/PAUSE / P2 button |
| 3 | ALARM button | 9 | Display |
| 4 | SELECT button | 10 | Remote control sensor |
| 5 | BACK button | 11 | VOLUME dial |
| 6 | PREV button | 12 | Headphone jack |

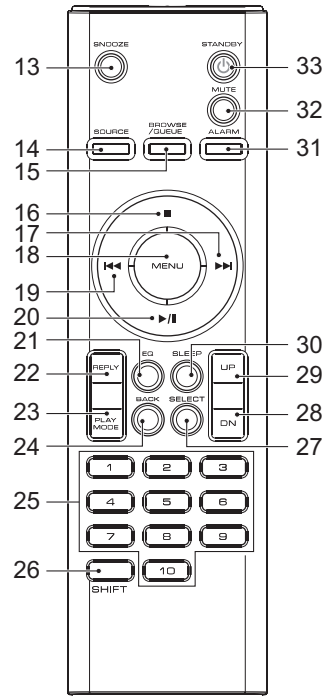
Display

- 34 SHIFT mode indicator
- 35 INTERNET indicator
- 36 MEDIA PLAYER indicator
- 37 INTERNET RADIO indicator
- 38 REPEAT indicator
- 39 SHUFFLE indicator
- 40 Wi-Fi strength indicator
- 41 ALARM indicator
- 42 SLEEP indicator



Remote control

- 13 SNOOZE button
- 14 SOURCE button
- 15 BROWSE/QUEUE button
- 16 STOP button
- 17 NEXT button
- 18 MENU button
- 19 PREV button
- 20 PLAY/PAUSE button
- 21 EQ button
- 22 REPEAT button
- 23 PLAY MODE button
- 24 BACK button
- 25 Digit buttons (0-10+)
- 26 SHIFT button
- 27 SELECT button
- 28 DN button
- 29 UP button
- 30 SLEEP button
- 31 ALARM button
- 32 MUTE button
- 33 ON/OFF button



5. Operation

All functions of the appliance are accessible using the remote control. All instructions refer to operation with the remote control, unless indicated otherwise.



- The appliance is designed to be operated using the remote control. For regular use you may find it convenient to switch the appliance to standby mode after use.

5.1 Quick start

General functions

- To switch on the appliance, press the ON/OFF button (33). To switch back to the standby mode, press the ON/OFF button (33) again.
- To enter characters, press the DN button (28) or the UP button (29) or rotate the VOLUME dial (11). Press the SELECT button (27) to confirm or press the BACK button (24) to erase.
- To select the source mode, press the SOURCE button (14).
- To adjust the volume, press the UP button (29) or the DN button (28).
- To select the sound mode (FLAT, BASS, CLASSICAL, JAZZ, POP, ROCK), press the EQ button (21).
- To mute or restore sound, press the MUTE button (32).

Internet radio functions

- Switch on the appliance.
- Select the Internet radio mode.
- Select LOCATION or GENRE to choose an Internet radio station.
- Select MY STUFF to choose Internet radio stations that were added manually through www.reciva.com.
- For extended instructions, read the paragraph "Internet radio functions" further on in this manual.

FM radio functions

- Switch on the appliance.
- Select the tuner mode.
- For extended instructions, read the paragraph "Radio functions" further on in this manual.

Media player functions

- Switch on the appliance.
- Select the media player mode.
- For extended instructions, read the paragraph "Media player functions" further on in this manual.

Clock functions

- Read the paragraph "Clock functions" further on in this manual.

5.2 Internet radio functions

Audio playback

During playback, the following functions are available:

- To select a track, press the PREV button (19) or the NEXT button (17) until the desired track is set.
- To forward or rewind the track, press and hold the PREV button (19) or the NEXT button (17).
- To pause playback, press the PLAY/PAUSE button (20) once; to resume playback, press the button again.
- Press the digit buttons to select a preset station (1-10).
- Press the SHIFT button (26) and the digit buttons to select a preset station (11-20).

Adding Internet radio stations

- Logon to www.reciva.com.
- Browse for a station from the tab LISTEN.
- Click ADD STATION NAME TO MY STATIONS.
- Log off.

5.3 Radio functions

During playback, the following functions are available:

- Press the digit buttons to select a preset station (1-10).
- Press the SHIFT button (26) and the digit buttons to select a preset station (11-20).
- To select preset station 1 or 2, press the P1 button (2) or the P2 button (8) on the appliance.
- To search for a specific frequency, press the PREV button (19) or the NEXT button (17) repeatedly until the desired frequency is set.
- To search automatically, press and hold the PREV button (19) or the NEXT button (17). The appliance searches for the next available station.

Storing preset radio stations

- Search for a specific frequency or select a station.
- To store the frequency or the station as preset station 1, press and hold digit button 1 until the display shows the confirmation message.
- To store preset station 11, press the SHIFT button (26) and press and hold digit button 1 until the display shows the confirmation message.

5.4 Media player functions

During playback, the following functions are available:

- To select the previous or next track, press the PREV button (19) or the NEXT button (17).
- To pause playback, press the PLAY/PAUSE button (20) once; to resume playback, press the button again.
- To stop playback temporarily, press the STOP button (16) once. Press the button again to stop playback permanently, or press the PLAY/PAUSE button (20) to resume playback.

Playing audio from shared folders

- On the appliance, press the SOURCE button (14).
- Select the media player mode.
- Select WINDOWS SHARES.
- Select SCAN FOR PCS to show all available PCs on the network.
- Select the PC.
- Select the folder.

- If necessary, enter the account and the password.
- If necessary, browse in the shared folder by selecting BY ALBUM or BY ARTIST.

Playing audio from shared media

- On the appliance, press the SOURCE button (14).
- Select the media player mode.
- Select WINDOWS SHARES.
- Select UPNP SERVERS.
- Select the folder.
- Press the SELECT button (27) to confirm and start playback.

Repeating and shuffling audio

- On the appliance, press the SOURCE button (14).
- Select the media player mode.
- Select PLAYBACK MODE.
- Select REPEAT or SHUFFLE.
- Press the SELECT button (27).
- Select YES to activate SHUFFLE.
- Press the SELECT button (27) to confirm.

Adding a track to a queue

- Navigate to a desired track and press the SELECT button (27).
- Navigate a desired album and press the SELECT button (27).
- Navigate to ADD TO QUEUE and press the SELECT button (27).

Browsing tracks in a queue

- Press the BROWSE/QUEUE button (15) and press the UP button (29) or the DN button (28) to browse the list.
- Press the SELECT button (27) to start playback.

Removing tracks from a queue

- Press the BROWSE/QUEUE button (15) and press the UP button (29) or the DN button (28) to browse the list.
- Press the STOP button (16) to select an unwanted track in the queue.
- Select YES to remove the track.
- To remove all tracks from the queue, select CLEAR QUEUE in the media player mode.

5.5 Clock functions

With the clock function, the following parameters can be set:

- current time and date
- alarm time (incl. alarm mode, snooze time)

Setting the current time and date

- Press the MENU button (18).
- Select CONFIGURE.
- Select SET TIME/DATE.
- Press the UP button (29) or the DN button (28) to set the desired hour.
- Press the SELECT button (27) to confirm.
- Press the UP button (29) or the DN button (28) to set the desired minutes.
- Press the SELECT button (27) to confirm.
- Press the UP button (29) or the DN button (28) to set the desired day.
- Press the SELECT button (27) to confirm.
- Press the UP button (29) or the DN button (28) to set the desired month.
- Press the SELECT button (27) to confirm.
- Press the UP button (29) or the DN button (28) to set the desired year.
- Press the SELECT button (27) to confirm.

Setting the alarm time

- Press the MENU button (18).
- Select ALARM CLOCK.
- Select SET ALARM.
- Select the alarm.
- Press the UP button (29) or the DN button (28) to set the desired hour.
- Press the SELECT button (27) to confirm.
- Press the UP button (29) or the DN button (28) to set the desired minutes.
- Press the SELECT button (27) to confirm.
- Press the UP button (29) or the DN button (28) to set the desired frequency:
ONCE, EVERY DAY, WEEKLY.
- Press the SELECT button (27) to confirm.
- Press the UP button (29) or the DN button (28) to set the desired alarm sound:
BUZZER, FM TUNER or preset station.
- Press the SELECT button (27) to confirm.



- During a power failure, or when unplugging the appliance, the time settings are lost.

5.6 Deactivating the alarm

- Press the MENU button (18).
- Select ALARM CLOCK.
- Select SET ALARM.
- Select the alarm.
- To deactivate the alarm, press the UP button (29) or the DN button (28) to select NO.
- To deactivate all alarms, select DISABLE ALL after selecting SET ALARM.

5.7 Setting the SLEEP function

- Press the SLEEP button (30).
- Select SLEEP TIMER.
- Press the UP button (29) or the DN button (28) to select the desired setting (15 min - 3 hr).
- Press the SELECT button (27) to confirm.

Snooze alarm

The default snooze time is: 5 minutes.

- To snooze the alarm, press the SNOOZE button (13).
- To stop the alarm, press the ON/OFF button (33) or the SELECT button (27).

5.8 Configuration menu operation

- Press the MENU button (18).
- Press the UP button (29) or the DN button (28) to navigate to CONFIGURE.
- Press the SELECT button (27) to confirm.
- Press the UP button (29) or the DN button (28) to select a setting. If the selection invokes a subsequent submenu, repeat the previous steps to select a setting.
- Press the SELECT button (27) to store the setting.
- Press the MENU button (18) to exit.

General setup page

- To navigate through the menu, press the UP button (29) or the DN button (28) or rotate the VOLUME dial (11).

The following menu items can be set:

- NETWORK CONFIG: to configure the network.
- VERSION: to show the version information of the appliance.
- UPGRADE FIRMWARE: to check automatically if new firmware is available.
- LANGUAGE: to change the language.
- FACTORY RESET: to restore the default settings of the appliance.
- REGISTER: to obtain the registration key for the online registration at the Reciva Customer Portal. Read the paragraph "Registering the appliance" in this manual.
- CLOCK SETUP: to set the clock functions. Read the paragraph "Clock functions" in this manual.
- WIFI STRENGTH: to check the signal strength for the current connection.

6. Cleaning and maintenance



WARNING

Before performing any cleaning or maintenance, switch off and unplug the appliance.

- Clean the outside of the appliance with a soft cloth. When the appliance is very dirty, dampen the cloth slightly with water and a neutral solution.

7. Troubleshooting

Trouble	Action
No sound or incomplete audio	<p>Check if the correct source is selected.</p> <p>Check volume or mute setting.</p> <p>Check if the random equipment are switched on and set correctly.</p> <p>Check cables for connection problems.</p>
No power	<p>Check if the power cord has been properly connected to the power outlet.</p>
The operation keys do not work	<p>Internal error.</p> <p>Reset the appliance.</p>

Internet radio

Trouble	Action
Cannot connect to Internet	<p>Check whether the access point is switched on.</p> <p>Check whether a firewall is not blocking any outgoing ports.</p> <p>Check whether the correct password is used.</p> <p>Check whether the appliance is within the wireless range of the access point.</p> <p>Check the network settings of the appliance.</p>
Cannot play a station	<p>Check whether the station is still broadcasting.</p> <p>Check whether the station has reached its maximum number of listeners.</p> <p>Check whether the radio station link is still operational.</p> <p>Check whether the Internet connection is fast enough.</p>
Intermittent audio	<p>Check the bandwidth of the wireless network.</p> <p>Move the appliance closer to the access point.</p>

Radio

Trouble	Action
Noise or sound distorted on FM broadcasts	<p>Station is not tuned properly. Adjust tuning control.</p> <p>Wire aerial is not positioned correctly. Extend the aerial.</p>

Media player

Trouble	Action
Cannot find the PC	Enable Global File Sharing. Check whether the PC is located in the same network. Check whether the PC has the same workgroup as the server managing the network. Check whether the wireless network is working properly. Check whether a firewall is not blocking any outgoing ports.
Cannot find shared folders	Check if the folder is shared. Check whether the folder is accessible. Check whether the correct password for the user account is used. Check whether a firewall is not blocking any outgoing ports.

AUX

Trouble	Action
No sound on the unit system	Input source is low. Increase the volume level on the audio source device.
No picture	Check if the TV is switched on and set to the correct A/V input. Check cables for connection problems. Check cables for damage.

8. Technical data

Parameter	Value
Voltage	9 V _{DC}
Input voltage	100 ~ 240 V _{AC} / 50 ~ 60 Hz
Power consumption	12 W
Max. power output	2 x 2 W (RMS)
Radio bands	FM
Dimensions (W x H x D)	242 x 140 x 120 mm
Weight	1 kg

Frequency range

Parameter	Value
FM radio	87.5 MHz - 108 MHz

Remote control

Parameter	Value
Power consumption	3 V
Battery size	AAA

9. Disposal of used electrical and electronic equipment



The meaning of the symbol on the material, its accessory or packaging indicates that this product shall not be treated as household waste. Please, dispose of this equipment at your applicable collection point for the recycling of electrical and electronic equipments waste. In the European Union and Other European countries which there are separate collection systems for used electrical and electronic product. By ensuring the correct disposal of this product, you will help prevent potentially hazardous to the environment and to human health, which could otherwise be caused by unsuitable waste handling of this product. The recycling of materials will help conserve natural resources. Please do not therefore dispose of your old electrical and electronic equipment with your household waste.

For more detailed information about recycling of this product, please contact your local city office, your household waste disposal service or the shop where you purchased the product.

For more information and warranty conditions, please visit: www.akai.eu