

# AKAI

## DVD player

AD66U



User manual

GB 2

Gebruiksaanwijzing

NL 19

Manuel de l'utilisateur

FR 38

Manual de instrucciones

ES 56

Gebrauchsanleitung

DE 74

Οδηγίες χρήσεως

EL 93

Brugsanvisning

DA 112

## Table of contents

<b>1.</b>	<b>Safety</b> .....	<b>3</b>
	1.1 Intended use .....	3
	1.2 Labels in this manual .....	3
	1.3 General safety instructions .....	3
<b>2.</b>	<b>Preparations for use</b> .....	<b>4</b>
	2.1 Unpacking .....	4
	2.2 Package contents .....	5
<b>3.</b>	<b>Installation</b> .....	<b>5</b>
	3.1 Connecting random equipment .....	6
	3.2 Remote control .....	7
<b>4.</b>	<b>Functions</b> .....	<b>7</b>
	4.1 DVD Player .....	7
	4.2 Remote control .....	8
<b>5.</b>	<b>Operation</b> .....	<b>8</b>
	5.1 Quick start .....	8
	5.2 DVD/CD functions .....	9
	5.3 USB functions .....	12
	5.4 General setup menu operation .....	13
<b>6.</b>	<b>Cleaning and maintenance</b> .....	<b>14</b>
	6.1 Handle and care of a disc .....	14
<b>7.</b>	<b>Troubleshooting</b> .....	<b>15</b>
<b>8.</b>	<b>Technical data</b> .....	<b>17</b>
<b>9.</b>	<b>Disposal of used electrical and electronic equipment</b> .....	<b>18</b>

## Copyright notice

Design and specifications are subject to change without notice.

# 1. Safety

## 1.1 Intended use

The DVD Player plays film and photos from DVD and USB. The appliance also plays music from CD. Read the manual carefully before first use.



DVDs and DVD appliances are manufactured under the worldwide agreed DVD regional code system that the appliance will operate only with corresponding disc of the same regional code. If the code number on the label of a DVD does not match that on the label alongside, the DVD will not play on this appliance.



The appliance has built-in copyright protection technology that prevents copying from a disc to any media. If a video recorder is connected to the appliance, the video output image will be distorted during recording.

## 1.2 Labels in this manual



### WARNING

A warning means that injury or death is possible if the instructions are not obeyed.



### CAUTION

A caution means that damage to the equipment is possible.



A note gives additional information, e.g. for a procedure.

## 1.3 General safety instructions



### WARNING

Do not put force on the appliance. The appliance can fall and can cause serious injury.

**CAUTION**

Do not spill any liquid on the appliance.

**WARNING**

Do not insert any objects in the ventilation holes.

**CAUTION**

Do not block the ventilation holes.



This appliance is double insulated; therefore no earth wire is required. Always check that the mains voltage corresponds to the voltage on the rating plate.



This appliance employs a laser system. To prevent direct exposure to the laser beam, do not open the appliance. Visible laser radiation when open and interlock defeated.

## 2. Preparations for use

### 2.1 Unpacking

- Unpack the appliance carefully.
- Check the package contents as described below. If any item is missing, please contact your reseller.
- Remove the labels from the front panel carefully if present.



We recommend that you retain the original carton and packing materials in case it ever becomes necessary to return your product for service. This is the only way to safely protect the product against damage in transit. If you do dispose of the carton and the packing materials, please remember to recycle with due care to the environment.

## 2.2 Package contents

The following items are included in the received package:

- 1 DVD Player
- 1 Remote control
- 2 Batteries (AAA)
- 1 Operator manual



If any item is missing, please contact your reseller.

## 3. Installation

- Put the appliance on a horizontal flat surface.
- Connect the random equipment to the appliance.  
Read the paragraph "Connecting random equipment".
- Connect the appliance to the mains.
- Install the batteries in the remote control.  
Read the paragraph "Remote control".



### CAUTION

- Do not put the appliance near a heat source.
- Do not expose the appliance to direct sunlight.



This appliance is equipped with rubber feet to prevent it from moving. The feet are made from non-migrating material specially formulated to avoid leaving any marks or stains on furniture. However, certain types of furniture polishes, wood preservatives or cleaning sprays cause the rubber to soften and leave marks or a residue on the furniture, and potentially risk the surface to become damaged. To prevent damage to wooden surfaces, we recommend that you apply self-adhesive pads to the bottom of the rubber feet before installation.

## 3.1 Connecting random equipment

The appliance includes various options for permanent connection of random equipment. Suitable cables can be purchased at your reseller.

### Audio connections (output)

These connections allow you to send audio signal to a connected TV or amplifier.

The appliance has the following audio outputs:

- Coaxial digital audio: Insert a suitable cable into the COAXIAL connection.

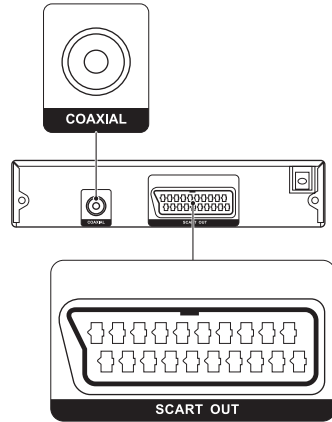
Connect the other end of the cable to the audio input of your random equipment.

### Video connections

These connections allow you to send video signal (still images or movies) to a connected TV.

The appliance has the following video outputs (in order of preference):

- SCART: Insert a suitable cable into the SCART connection.
- Connect the other end of the cable to the video input of your random equipment.



## 3.2 Remote control

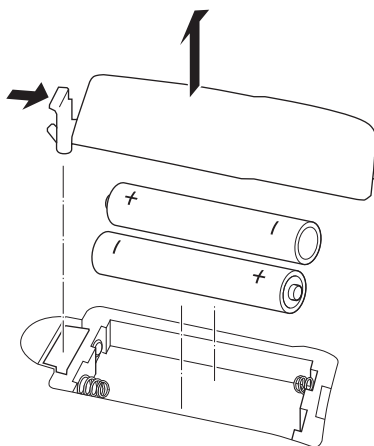
### Install batteries

- Remove the battery cover.
- Insert the batteries matching the (+) and (-) polarity markings.
- Re-install the battery cover.



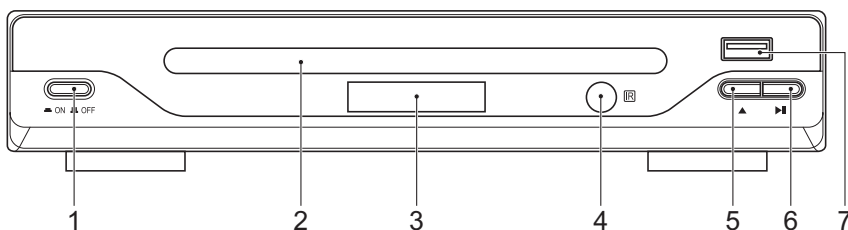
#### CAUTION

Incorrect installation can cause battery leakage and corrosion which will damage the appliance. Corrosion, oxidation, battery leakage and any other gradually acidic defect of this nature will invalidate the guarantee.



## 4. Functions

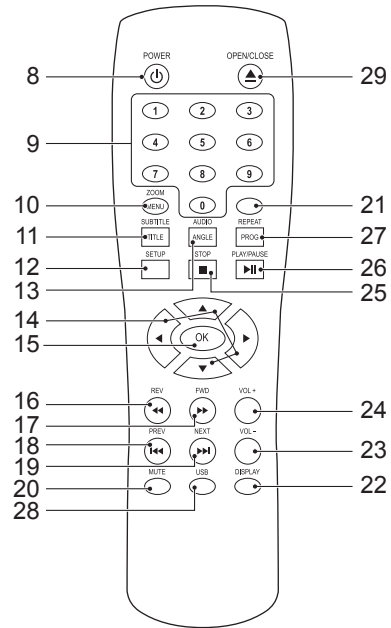
### 4.1 DVD Player



- |   |                       |   |                   |
|---|-----------------------|---|-------------------|
| 1 | POWER/STANDBY button  | 5 | OPEN/CLOSE button |
| 2 | Disc tray             | 6 | PLAY/PAUSE button |
| 3 | Display               | 7 | USB slot          |
| 4 | Remote control sensor |   |                   |

## 4.2 Remote control

- 8 POWER/STANDBY button
- 9 Digit buttons (0-9)
- 10 ZOOM/MENU button
- 11 SUBTITLE/TITLE button
- 12 SETUP button
- 13 AUDIO/ANGLE button
- 14 Arrow buttons
- 15 OK button
- 16 REW button
- 17 FWD button
- 18 PREV button
- 19 NEXT button
- 20 MUTE button
- 21 GOTO button
- 22 DISPLAY button
- 23 VOL- button
- 24 VOL+ button
- 25 STOP button
- 26 PLAY/PAUSE button
- 27 REPEAT/PROG button
- 28 USB button
- 29 OPEN/CLOSE button



## 5. Operation

All functions of the appliance are accessible using the remote control. All instructions refer to operation with the remote control, unless indicated otherwise.

### 5.1 Quick start

#### General functions

- Set the appliance in the standby mode.
- To switch on the appliance, press the POWER/STANDBY button (8).  
To switch back to the standby mode, press the POWER/STANDBY button (8) again.



- To adjust the volume, press the VOL+ button (24) or the VOL- button (23).
- To mute or restore sound, press the MUTE button (20).

## DVD/CD functions

- Switch on the appliance.
- Press the OPEN/CLOSE button (29) to open the disc tray (2).
- Place a disc in the disc tray (2).
- Press the OPEN/CLOSE button (29) to close the disc tray (2).

The display shows the total number of tracks on the CD.

- To start playback, press the PLAY/PAUSE button (26) once.
- For extended instructions, read the paragraph "DVD/CD functions" further on in this manual.

## USB functions

- Switch on the appliance.
- Insert the device in the slot (7). The device can only be connected one way.
- Press the USB button (28) to select the USB mode.
- To start playback, press the PLAY/PAUSE button (26) once.
- For extended instructions, read the paragraph "USB functions" further on in this manual.

## 5.2 DVD/CD functions

After the disc has been loaded, a content menu will display on the TV screen.

- Press the arrow buttons (14) to select a menu item.
- Press the OK button (15) to enter the selected menu item.

During playback, the following functions are available:

- To select a chapter (DVD) or track (CD), press the digit buttons (9).
- To select the next or previous chapter (DVD) or track (CD), press the PREV button (18) or the NEXT button (19).
- To forward or rewind the DVD, press the FWD button (17) or the REW button (16). The available speed rates are: 2, 4, 8, 16, 32.
- To pause playback, press the PLAY/PAUSE button (26). To resume playback, press the PLAY/PAUSE button (26) again.
- To stop playback temporarily, press the STOP button (25). To stop playback permanently, press the STOP button (25) again. To resume playback, press the PLAY/PAUSE button (26).
- To repeat a chapter (DVD) or one or all tracks (CD):
  - Press the REPEAT button (27) to repeat the current chapter or track.

- Press the REPEAT button (27) again to repeat the current title.
- Press the REPEAT button (27) again to repeat all chapters or tracks.
- Press the REPEAT button (27) again to cancel the function.
- To view a specific title of a DVD, press the TITLE button (11). Use the arrow buttons (14) to select the title.
- To switch on the subtitles of a DVD, press the SUBTITLE button (11). To switch off the subtitles of a DVD, press the SUBTITLE button (11) again.
- To select the audio language of a DVD, press the AUDIO button (13) repeatedly until the desired language is set.
- To select extra information of a DVD or CD (remaining time/passed playtime/track number/chapter number), press the DISPLAY button (22).
- To select the camera angle, press the ANGLE button (13).



- Normally, if an MP3 disc is loaded, the unit will take longer time to read the initial data.
- A DVD that does not match the region code cannot be read by this appliance.
- If a disc contains mixed content (e.g. MP3 and video files), the appliance will only recognise, list and play one content type.
- The screen saver becomes active if no disc has been loaded for 3 minutes, or if the appliance has been in STOP mode for 3 minutes.

## Using the GOTO function

The GOTO function can be used to select a specific starting point on a DVD or CD.

- Press the GOTO button (21).
- Press the arrow buttons (14) to select an entry.

The possible entries for DVD are:

- Disc time
- Chapter
- Title
- Chapter time
- Title time

The possible entries for CD are:

- Track time
- Specific track
- Press the digit buttons (9) to set a selection.

## Using the MP3/MPEG4/WMA playback function

- Insert an MP3/MPEG4/WMA disc. A content menu will display on the TV screen.
- Press the up/down arrow buttons (14) to select a folder or a file.
- Press the OK button (15) to enter the selected folder or file.
- Press the arrow buttons (14) to switch between folders and files. Press the OK button (15) to confirm.
- Press the MENU button (10) to return to the content menu during playback.

## Using the JPEG playback function

- Insert a JPEG disc. A content menu will display on the TV screen.
- In the menu, press the up/down arrow buttons (13) to select a file. Press the OK button (15) to start the slide show.
- Press the PLAY/PAUSE button (26) to hold the slide show at the current picture.
- Press the PLAY/PAUSE button (26) to resume the slide show.
- Press the PREV button (18) or the NEXT button (19) to select the previous or next picture.

## Using the PROGRAM function

### DVD/CD

- Press the PROG button (27) for more than 2 seconds.
- Press the arrow buttons (14) to select the title.
- Press the OK button (15) to confirm the selection.
- Press the arrow buttons (14) to select the chapter.
- Press the OK button (15) to confirm the selection.
- To delete the program, select the program list with the arrow buttons (14) and press the STOP button (25).

### MP3/MPEG4/WMA

- Press the up/down arrow buttons (14) to select the file.
- Press the right arrow button (14) to add the file to the program list.
- Press the PROG button (27) for more than 2 seconds. A program menu will be created.
- To remove a file from the program list, press the up/down arrow buttons (14) to select the file and then press the right arrow button (14) to remove the file.

## Using the ZOOM function

This function can be used for zooming in and out on photos and DVDs.

The available zoom ratios are: ZOOMx1/ZOOMx2/ZOOMx4 (DVD/VCD/MPEG4); 25%/50%/100%/150%/200% (JPEG).

- Press the ZOOM button (10).
- Press the ZOOM button (10) again to set the correct size.
- Press the arrow buttons (14) to move through the picture.

## 5.3 USB functions

After the device has been connected, a content menu will display on the TV screen.

- Press the up/down arrow buttons (14) to select a folder or a file.
- Press the OK button (15) to enter the selected folder or to play the file. You can also use the digit buttons (9) to select a folder or to play the file.
- Press the PROG button (27) to switch between folders and files. Press the OK button (15) to confirm.
- Press the MENU button (10) to return to the content menu during playback.

During playback, the following functions are available:

- To select a track, press the PREV button (18) or the NEXT button (19) until the desired track is set.
- To pause playback, press the PLAY/PAUSE button (26). To resume playback, press the PLAY/PAUSE button (26) again.
- To stop playback, press the STOP button (25).
- To remove the device, gently pull it out of the slot.



Due to the great variety of products with USB ports and their sometimes quite manufacturer-specific functions we can neither guarantee that all devices will be recognised, nor that all operating options that are possible in theory will actually work.

## Using the PROGRAM function

### MP3/MPEG4/WMA

- Press the up/down arrow buttons (14) to select the file.
- Press the right arrow button (14) to add the file to the program list.
- Press the PROG button (27) for more than 2 seconds. A program menu will be created.

- To remove a file from the program list, press the up/down arrow buttons (14) to select the file and then press the right arrow button (14) to remove the file.

## 5.4 General setup menu operation

This chapter explains a complete setup of the appliance: settings of screen display, audio setup and video setup.

### To change the initial settings

The following actions have to be carried out with the remote control.

- Press the SETUP button (12).
- Press the arrow buttons (left and right) (14) to select a submenu. The submenu is displayed directly.
- Press the arrow buttons (up and down) (14) to scroll through the submenu.
- Press the OK button (15) to select a setting, or the left arrow button (14) to cancel the selection.
- Press the SETUP button (12) to store the settings and exit.

### System setup menu

#### LANGUAGE SETUP

- OSD: Select the language of the setup menu and screen display.
- ENCODING: Select the correct value to support the external subtitle in a different language.

#### DISPLAY SETUP

- TV STANDARD: Select the video output format to match the appliance to the TV system: PAL, AUTO or NTSC.
- DISPLAY TYPE: Select the aspect ratio.
- VIDEO OUTPUT: Select the video output format.
- BRIGHTNESS: Adjust the brightness.
- CONTRAST: Adjust the contrast.

#### PREFERENCE SETTINGS

- CHANGE PIN: Change the password for parental control.
- DEFAULT: Restore the default settings of the appliance.

## DMP menu

### PHOTO SETTINGS

- INTERVAL TIME: Select the interval time during the photo slide show.
- TRANSITION EFFECT: Select the transition effect for the photo slide show.
- SHOW TYPE: Select the fill mode for the picture view.
- COLOR TONE: Select the color tone.

## Disc menu

### LANGUAGE SETUP

- MENU: Choose the language.
- AUDIO: Choose the audio language.
- SUBTITLE: Choose the subtitle language.

### AUDIO SETUP

- DIGITAL OUT: Select the digital output mode for coaxial.
- ANALOG OUT: Switch this function ON or OFF.
- DOWNMIX: Set the downmix mode for analog output.

### CUSTOM SETUP

- PARENTAL CTRL: Set a rating for movies played by the appliance.
- ANGLE MARK: Switch this function ON or OFF.

## 6. Cleaning and maintenance



### WARNING

Before performing any cleaning or maintenance, switch off and unplug the appliance.

- Clean the outside of the appliance with a soft cloth. When the appliance is very dirty, dampen the cloth slightly with water and a neutral solution.

### 6.1 Handle and care of a disc

- Hold the disc with fingers. Hold the disc outer edge and/or the centre spindle hole. Do not touch the disc surface.
- Do not bend or press the disc. Do not expose the disc to direct sunlight or heating sources.

- Clean the disc surface with a soft, dry cleaning cloth. Wipe the disc surface gently, radially, from centre towards the outer edge.
- Do not apply thinner, alcohol, chemical solvent, or sprays when cleaning. Such cleaning fluids will permanently damage the disc surface.

## 7. Troubleshooting

Trouble	Action
No sound or incomplete audio	<p>Check if the random equipment are switched on and set correctly.</p> <p>Check cables for connection problems.</p> <p>Check if the correct source is selected.</p> <p>Check volume or mute setting.</p>
No picture	<p>Check if the TV is switched on and set to the correct A/V input.</p> <p>Check cables for connection problems.</p>
No power	<p>Check if the power cord has been properly connected to the power outlet.</p>
Malfunction	<p>Should the appliance develop a serious malfunction, unplug the appliance for 30 minutes. After this, power on the appliance and restore to factory default.</p>

### DVD/CD

Trouble	Action
No playback	<p>There is no disc inserted. Load a disc in the appliance.</p> <p>Disc is loaded upside down. Place the disc with the label facing upward.</p> <p>Rating level of the disc is higher than the rating level setting of the appliance.</p> <p>Invalid region code.</p> <p>Incorrect type of disc.</p> <p>Disc may be damaged or dirty, clean the disc or try another disc.</p> <p>Moisture may have condensed inside the appliance. Remove the disc and leave the appliance powered on for one or two hours.</p>

No sound or incomplete audio	Select another audio track. During SCAN, SLOW MOTION or SINGLE STEP the sound is muted. Check if the disc is in fast forward or fast rewind mode. Press the PLAY/PAUSE button (26).
No scan or skip possible	Some discs are programmed to refuse user action at certain sections. This is no malfunction. Single chapter or track discs do not allow skip function.
Picture distorted or noisy	Disc may be damaged or dirty, clean the disc or try another disc. Check TV system setting (PAL/NTSC). A VCR is connected between the appliance and the random equipment. Connect the appliance to a A/V directly.
Picture not full screen	Clean the disc. Select the screen format from the appliances setup menu. Select screen format in disc start menu.

## MP3 playback

Trouble	Action
No sound or incomplete audio	If MP3 data is mixed with other files on CD, the appliance may play the non-MP3 files as noise or without sound or it rejects the disc. Check if the played file is in MP3 format or select another file to play.

## USB playback

Trouble	Action
No playback	USB device is not installed or installed incorrectly. Insert USB device into slot. Incompatible USB device used. Playback using any USB device cannot be guaranteed. Please try another USB device.



## Remote control (RC)

Trouble	Action
RC does not function	Check the battery installation. Point the RC at the remote control sensor. Stay within 8 metres of the appliance.

# 8. Technical data

## DVD player

Parameter	Value
Voltage	100-240 V <sub>AC</sub> ~ 50/60 Hz
Power consumption	15 W
Standby power consumption	<1 W
USB connection	USB 2.0 compatible
Dimensions (W x H x D)	220 x 230 x 38 mm
Weight	1.3 kg

## Disc output

Parameter	Value
Laser type	semiconductor
Signal/noise ratio	>90 dB
Channel separation	80 dB
Wow and flutter	Below the limit of the appliance
Audio dynamic range	>90 dB
Frequency response	20 Hz ~ 20 kHz (+/- 1 dB)
Television system	PAL/NTSC
Region code	2

## Output Terminals

Parameter	Value
Video	1.0 V <sub>p-p</sub>
Digital audio	650 mV +/- 100mV

## Remote control

Parameter	Value
Power consumption	35 mW
Battery size	AAA

## Supported media formats

Parameter	Value
Disc types	DVD / DVD-R / DVD-RW / DVD+R / DVD+RW / CD-R / CD-RW / DIVX / SVCD / VCD / CD-DA
Picture formats	JPEG
Video formats	MPEG4

## 9. Disposal of used electrical and electronic equipment



The meaning of the symbol on the material, its accessory or packaging indicates that this product shall not be treated as household waste. Please, dispose of this equipment at your applicable collection point for the recycling of electrical and electronic equipments waste. In the European Union and Other European countries which there are separate collection systems for used electrical and electronic product. By ensuring the correct disposal of this product, you will help prevent potentially hazardous to the environment and to human health, which could otherwise be caused by unsuitable waste handling of this product. The recycling of materials will help conserve natural resources. Please do not therefore dispose of your old electrical and electronic equipment with your household waste.

For more detailed information about recycling of this product, please contact your local city office, your household waste disposal service or the shop where you purchased the product.

For more information and warranty conditions, please visit: [www.akai.eu](http://www.akai.eu)