

AKAI

Portable DVD player

ACVDS955



User manual

Gebruiksaanwijzing

Manuel de l'utilisateur

Manual de instrucciones

Gebrauchsanleitung

Οδηγίες χρήσεως

Brugsanvisning

GB 2

NL 20

FR 40

ES 60

DE 80

EL 100

DA 120

Table of contents

1.	Safety	3
1.1	Intended use	3
1.2	Labels in this manual	3
1.3	General safety instructions	4
2.	Preparations for use	4
2.1	Unpacking	4
2.2	Package contents	5
3.	Installation	5
3.1	Connecting random equipment	6
3.2	Connecting to a power source	7
3.3	Cordless operation	7
3.4	Remote control	7
4.	Functions	8
4.1	DVD player	8
4.2	Remote control	9
5.	Operation	10
5.1	Quick start	10
5.2	DVD/CD functions	11
5.3	DVD setup menu operation	13
6.	Cleaning and maintenance	15
6.1	Handle and care of a disc	15
7.	Troubleshooting	16
8.	Technical data	18
9.	Disposal of used electrical and electronic equipment	19

Copyright notice

Design and specifications are subject to change without notice.

1. Safety

1.1 Intended use

The DVD Player plays film and photos from DVD, USB and memory card. The appliance also plays music from CD. Read the manual carefully before first use.



DVDs and DVD appliances are manufactured under the worldwide agreed DVD regional code system that the appliance will operate only with corresponding disc of the same regional code. If the code number on the label of a DVD does not match that on the label alongside, the DVD will not play on this appliance.



The appliance has built-in copyright protection technology that prevents copying from a disc to any media. If a video recorder is connected to the appliance, the video output image will be distorted during recording.



Due to the great variety of products with external memory connection (USB, SD/MMC, etc.) and their sometimes quite manufacturer-specific functions we can neither guarantee that all devices will be recognised, nor that all operating options that are possible in theory will actually work.

1.2 Labels in this manual



WARNING

A warning means that injury or death is possible if the instructions are not obeyed.



CAUTION

A caution means that damage to the equipment is possible.



A note gives additional information, e.g. for a procedure.

1.3 General safety instructions



WARNING

Do not put force on the appliance. The appliance can fall and can cause serious injury.



CAUTION

Do not spill any liquid on the appliance.



WARNING

Do not insert any objects in the ventilation holes.



CAUTION

Do not block the ventilation holes.



This appliance is double insulated; therefore no earth wire is required. Always check that the mains voltage corresponds to the voltage on the rating plate. Never attempt to replace the adaptor plug with a regular mains plug.



This appliance employs a laser system. To prevent direct exposure to the laser beam, do not open the appliance.
Visible laser radiation when open and interlock defeated.

2. Preparations for use

2.1 Unpacking

- Unpack the appliance carefully.
- Check the package contents as described below. If any item is missing, please contact your reseller.
- Remove the labels from the front panel carefully if present.



We recommend that you retain the original carton and packing materials in case it ever becomes necessary to return your product for service. This is the only way to safely protect the product against damage in transit. If you do dispose of the carton and the packing materials, please remember to recycle with due care to the environment.

2.2 Package contents

The following items are included in the received package:

- 1 Portable DVD player
- 1 AC/DC adaptor + cable
- 1 Remote control
- 1 Battery cell (CR2025)
- 1 Operator manual



If any item is missing, please contact your reseller.

3. Installation

- Put the appliance on a horizontal flat surface.
- Connect the appliance to a power source.
Read the paragraph "Connecting to a power source".
- Install the batteries in the remote control.
Read the paragraph "Remote control".



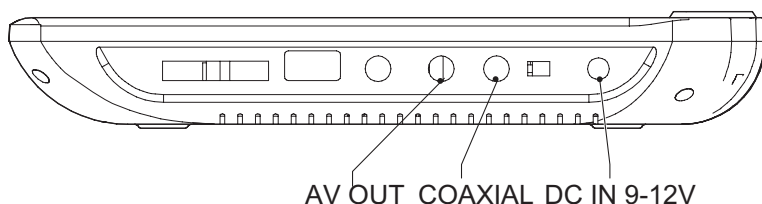
CAUTION

- Do not put the appliance near a heat source.
- Do not expose the appliance to direct sunlight.



This appliance is equipped with rubber feet to prevent it from moving. The feet are made from non-migrating material specially formulated to avoid leaving any marks or stains on furniture. However, certain types of furniture polishes, wood preservatives or cleaning sprays cause the rubber to soften and leave marks or a residue on the furniture, and potentially risk the surface to become damaged. To prevent damage to wooden surfaces, we recommend that you apply self-adhesive pads to the bottom of the rubber feet before installation.

3.1 Connecting random equipment



The appliance includes various options for permanent connection of random equipment. Suitable cables can be purchased at your reseller.

Audio/video connections (output)

These connections allow you to send audio/video signal to a connected TV or amplifier.

- AUDIO/VIDEO OUT: Connect a suitable cable to the AV OUT connection.

Coaxial connection (output)

This connection allow you to send digital audio signal to a connected digital amplifier.

- COAXIAL: Connect a suitable cable to the COAXIAL connection.

3.2 Connecting to a power source

Connecting to the mains

For this connection the AC/DC adaptor + cable has to be used.

- Connect the adaptor plug on the adaptor cable to the DC IN 9-12 V connection.
- Connect the mains plug to a wall socket.

3.3 Cordless operation

The appliance can also be operated cordless. For this purpose, the appliance uses an internal battery pack. The battery pack has to be charged first.

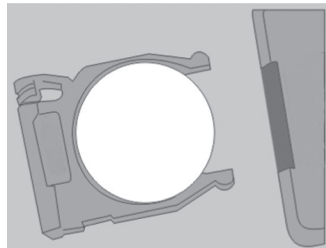
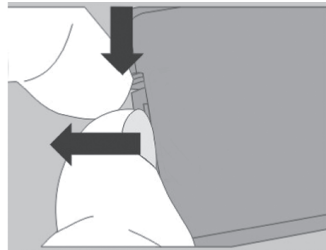


Whilst the appliance is connected to the power source, its battery is charged automatically. When the battery is fully charged, the charging process is completed.

3.4 Remote control

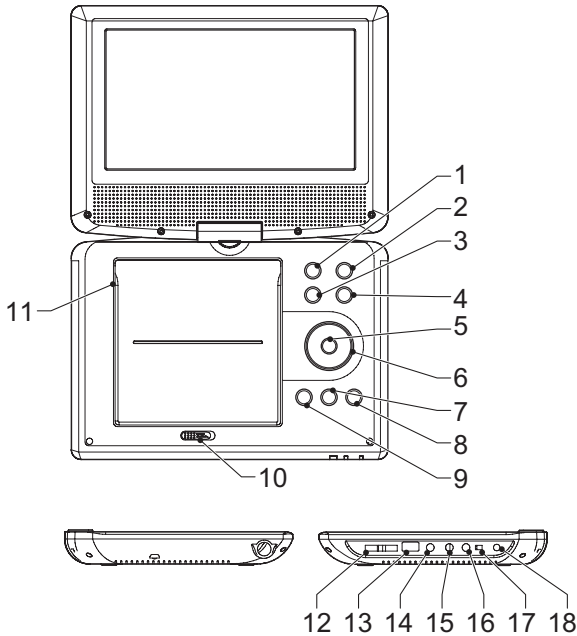
Installing the battery

- Press the catch and at the same time pull out the battery tray.
- Insert 1 lithium battery, type CR2025 3V battery with the stamped (+) mark facing upward.
- Insert the battery tray into the remote control.



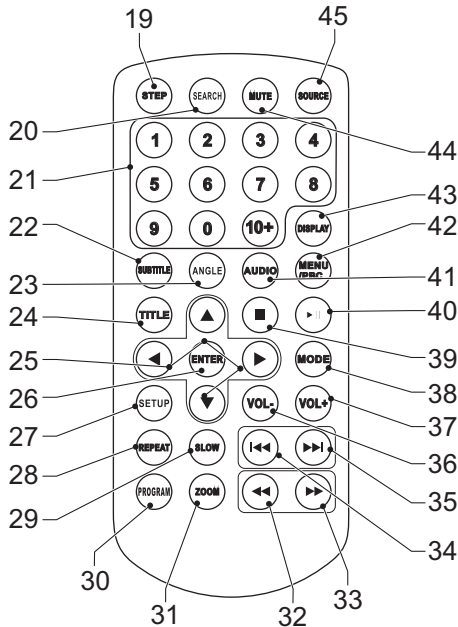
4. Functions

4.1 DVD player



- | | |
|---------------------|----------------------------|
| 1 MENU button | 10 Cover release switch |
| 2 SOURCE button | 11 Disc compartment |
| 3 VOL- button | 12 SD/MS/MMC card slot |
| 4 VOL+ button | 13 USB slot |
| 5 ENTER button | 14 Headphone jack |
| 6 Arrow buttons | 15 AV OUT connection |
| 7 STOP button | 16 COAXIAL connection |
| 8 SETUP button | 17 ON/OFF switch |
| 9 PLAY/PAUSE button | 18 DC IN 9-12 V connection |

4.2 Remote control



- | | | | |
|----|-----------------------|----|-------------------|
| 19 | STEP button | 33 | FWD button |
| 20 | SEARCH button | 34 | PREV button |
| 21 | Digit buttons (0-10+) | 35 | NEXT button |
| 22 | SUBTITLE button | 36 | VOL- button |
| 23 | ANGLE button | 37 | VOL+ button |
| 24 | TITLE button | 38 | MODE button |
| 25 | Arrow buttons | 39 | STOP button |
| 26 | ENTER button | 40 | PLAY/PAUSE button |
| 27 | SETUP button | 41 | AUDIO button |
| 28 | REPEAT button | 42 | MENU/PBC button |
| 29 | SLOW button | 43 | DISPLAY button |
| 30 | PROGRAM button | 44 | MUTE button |
| 31 | ZOOM button | 45 | SOURCE button |
| 32 | REV button | | |



The arrow buttons are buttons for navigation in the DVD menu.

5. Operation

All functions of the appliance are accessible using the remote control. All instructions refer to operation with the remote control, unless indicated otherwise.

5.1 Quick start

General functions

- To switch on the appliance, slide the ON/OFF switch (17) to the ON position. To switch off the appliance, slide the ON/OFF switch (17) to the OFF position.
- To adjust the volume, press the VOL+ button (37) or the VOL- button (36).
- To mute or restore sound, press the MUTE button (44).
- To select the source mode (DVD/CD, USB, SD/MMC), press the SOURCE button (45).
- To adjust the screen settings (BRIGHTNESS/CONTRAST/SATURATION), press the MODE button (38).
- To connect a headphone, insert the cable plug in the headphone jack (14). To prevent hearing damage, remember to adjust the volume to a comfortable level.

DVD/CD functions

- Switch on the appliance.
- Select the DVD mode.
- To insert a disc:
 - To open the cover, move the cover release switch (10) to the open position and raise the cover.
 - Insert the disc with the label upwards.
 - To close the cover, lower the cover until the cover release switch (10) clicks into place.

The display shows the total number of tracks on the CD.

- To start playback, press the PLAY/PAUSE button (40) once.
- For extended instructions, read the paragraph "DVD/CD functions" further on in this manual.

USB functions (no disc in player)

- Switch on the appliance.
- Insert the USB device in the slot (13). The device can only be connected one way.
- Select the USB mode.
- To start playback, press the PLAY/PAUSE button (40) once.
- Use the arrow buttons (25) to select a folder or a file.

SD/MMC functions (no disc in player)

- Switch on the appliance.
- Insert the SD/MMC device in the slot (12). The device can only be connected one way.
- Select the memory card mode.
- To start playback, press the PLAY/PAUSE button (40) once.
- Use the arrow buttons (25) to select a folder or a file.

5.2 DVD/CD functions

After the disc has been loaded, a content menu will display on the screen.

- Press the arrow buttons (25) to select a menu item.
- Press the ENTER button (26) to enter the selected menu item.

During playback, the following functions are available:

- To select a chapter (DVD) or track (CD), press the digit buttons (21).
- To select the next or previous chapter (DVD) or track (CD), press the PREV button (34) or the NEXT button (35).
- To forward or rewind the DVD, press the FWD button (33) or the REV button (32). The available speed rates are: 2x, 4x, 8x, 20x.
- To pause playback, press the PLAY/PAUSE button (40). To resume playback, press the PLAY/PAUSE button (40) again.
- To stop playback temporarily, press the STOP button (39). To stop playback permanently, press the STOP button (39) again. To resume playback, press the PLAY/PAUSE button (40).
- To playback in slow-motion, either forward or backward, press the SLOW button (29) repeatedly. The available speeds are: 1/2, 1/4, 1/8, 1/16.
- To repeat a chapter (DVD) or one or all tracks (CD):
 - Press the REPEAT button (28) to repeat the current chapter or track.
 - Press the REPEAT button (28) again to repeat the current title.
 - Press the REPEAT button (28) again to repeat all chapters or tracks.
 - Press the REPEAT button (28) again to cancel the function.

- To view a specific title of a DVD, press the TITLE button (24). Use the arrow buttons to select the title.
- To select the audio language of a DVD, press the AUDIO button (41) repeatedly until the desired language is set.
- To switch on the subtitles of a DVD, press the SUBTITLE button (22). To switch off the subtitles of a DVD, press the SUBTITLE button (22) again.
- To select extra information of a DVD or CD (remaining time/passed playtime/track number/chapter number), press the DISPLAY button (43).
- To select the camera angle, press the ANGLE button (23).
- To return to the main menu, press the MENU button (42).



- Normally, if an MP3 disc is loaded, the unit will take longer time to read the initial data.
- A DVD that does not match the region code cannot be read by this appliance.
- If a disc contains mixed content (e.g. MP3 and video files), the appliance will only recognise, list and play one content type.
- The screen saver becomes active if no disc has been loaded for 3 minutes, or if the appliance has been in STOP mode for 3 minutes.

Using the PROGRAM function

- Press the PROGRAM button (30) to enter the PROGRAM function.
- Press the digit buttons (21) to select a desired track, and use the arrow button down (25) to highlight the next entry.
- To confirm the selection and start the program, move the highlight to "START" and press the ENTER button (26).
- To stop the program, press the PROGRAM button (30) and press the ENTER button (26).

Using the ZOOM function

This function can be used for zooming in and out on photos and DVDs. The available zoom ratios are: 2x, 3x, 4x, 1/2, 1/3, 1/4.

- Press the ZOOM button (31).
- Press the ZOOM button (31) again to set the correct size.
- Press the arrow buttons to move through the picture.

Using the MP3/MPEG4 playback function

- Insert an MP3/MPEG4 disc. A content menu will display on the TV screen.
- Press the up/down arrow buttons (25) to select a folder or a file.
- Press the ENTER button (26) to enter the selected folder or file.
- Press the PROGRAM button (30) to switch between folders and files.
Press the ENTER button (26) to confirm.

Using the JPEG playback function

- Insert a JPEG disc. A content menu will display on the TV screen.
- Press the up/down arrow buttons (25) to select a folder or a file.
Press the ENTER button (26) to start the slide show.
- Press the PLAY/PAUSE button (40) to hold the slide show at the current picture.
- Press the PLAY/PAUSE button (40) to resume the slide show.
- Press the PREV button (34) or the NEXT button (35) to select the previous or next picture.

Using the Video CD playback function

- Press the PBC button (42) to switch on the playback function.
- Insert a Video CD.
- To start playback, press the PLAY/PAUSE button (40) once.
- To select the audio channel during Video CD playback, press the AUDIO button (41).
- Press the PBC button (42) to quit the playback and return to the main menu.

5.3 DVD setup menu operation



This menu only works in DVD mode.

To change the initial settings

The following actions have to be carried out with the remote control.

- Press the SETUP button (27).
- Press the arrow buttons (up and down) (25) to select a menu.
The submenu is displayed directly.
- Press the arrow buttons (left and right) (25) to enter the submenu.
- Press the ENTER button (26) to select a setting, or the left arrow button to cancel the selection. If the selection invokes a subsequent submenu, repeat the previous steps to select a setting.

- Press the ENTER button (26) to store the setting.
- Press the SETUP button (27) to exit.

General setup page

- TV DISPLAY to set the aspect ratio. The following settings are available: 16:9 (wide), 4:3 (letter box), 4:3 (pan scan).
- ANGLE MARK to display the angle setting information. The following settings are available: ON, OFF.
- OSD LANGUAGE to change the language. The following settings are available: English, French, Dutch, German, Italian, Spanish, Portuguese.
- CLOSED CAPTIONS to display closed captions. The following settings are available: ON, OFF.
- SCREEN SAVER to activate the screen saver. The following settings are available: ON, OFF.

Audio setup page

- DOWNMIX: to set the stereo analog output (LT/RT, STEREO, MIX-MONO).

Speaker setup page

- DOWNMIX
 - Select LT/RT to mix 5.1 channel audio into left channel and right channel.
 - Select STEREO to mix 5.1 channel audio into signal stereo.

Dolby Digital setup page

- DUAL MONO: to set the speakers (LT/RT, STEREO, MIX-MONO).
- DYNAMIC: to optimize the dynamic sound (FULL, 7/8, 3/4, 5/8, 1/2, 3/8, 1/4, 1/8, OFF).

Video setup page

- SHARPNESS: to adjust the screen sharpness.
- BRIGHTNESS: to adjust the screen brightness.
- CONTRAST: to adjust the screen contrast.
- HUE: to adjust the screen hue.
- SATURATION: to adjust the screen saturation.

Preference setup page (only without DVD/CD)

- TV TYPE to set the colour system. The following settings are available: PAL, AUTO, NTSC.

- AUDIO to set the audio language.
- SUBTITLE to set the subtitle language.
- DISC MENU to set the language for the disc menu.
- DEFAULT: Restore all default settings of the unit.

Rating setup page

- PARENTAL: Set a rating for movies played by the appliance.
The password to reset the rating is 1369.



This function is only available with discs that have parental rating encoded.

- PASSWORD: Change the default password. Enter the current password in the first box. Enter the new password in the second box. Enter the new password again in the third box to confirm.

6. Cleaning and maintenance



WARNING

Before performing any cleaning or maintenance, switch off and unplug the appliance.

- Clean the outside of the appliance with a soft cloth. When the appliance is very dirty, dampen the cloth slightly with water and a neutral solution.

6.1 Handle and care of a disc

- Hold the disc with fingers. Hold the disc outer edge and/or the centre spindle hole. Do not touch the disc surface.
- Do not bend or press the disc. Do not expose the disc to direct sunlight or heating sources.
- Clean the disc surface with a soft, dry cleaning cloth. Wipe the disc surface gently, radially, from centre towards the outer edge.
- Do not apply thinner, alcohol, chemical solvent, or sprays when cleaning. Such cleaning fluids will permanently damage the disc surface.

7. Troubleshooting

Trouble	Action
No sound or incomplete audio	Check if the random equipment are switched on and set correctly. Check cables for connection problems. Check if the correct source is selected. Check volume or mute setting.
No power	Check if the power cord has been properly connected to the power outlet. Check if the master power switch on the side panel is ON.
Malfunction	Should the appliance develop a serious malfunction, unplug the appliance for 30 minutes. After this, power on the appliance and restore to factory default.

DVD/CD

Trouble	Action
No playback	There is no disc inserted. Load a disc in the appliance. Disc is loaded upside down. Place the disc with the label facing upward. Rating level of the disc is higher than the rating level setting of the appliance. Invalid region code. Incorrect type of disc. Disc may be damaged or dirty, clean the disc or try another disc. Moisture may have condensed inside the appliance. Remove the disc and leave the appliance powered on for one or two hours.
No sound or incomplete audio	Select another audio track. During SCAN, SLOW MOTION or SINGLE STEP the sound is muted. Check if the disc is in fast forward or fast rewind mode. Press the PLAY/PAUSE button (40).

No scan or skip possible	Some discs are programmed to refuse user action at certain sections. This is no malfunction. Single chapter or track discs do not allow skip function.
Picture distorted or noisy	Disc may be damaged or dirty, clean the disc or try another disc. Check TV system setting (PAL/NTSC). Clean the disc.
Picture not full screen	Select the screen format from the appliance's setup menu. Select screen format in disc start menu.

USB playback

Trouble	Action
No playback	USB device is not installed or installed incorrectly. Insert USB device into slot. Incompatible USB device used. Playback using any USB device cannot be guaranteed. Please try another USB device.
DVD/CD in disc compartment.	Remove DVD/CD from disc compartment.

Memory card playback

Trouble	Action
No playback	Memory card is not installed or installed incorrectly. Insert memory card into slot.
DVD/CD in disc compartment.	Remove DVD/CD from disc compartment.

Remote control (RC)

Trouble	Action
RC does not function	Check the battery installation. Point the RC at the remote control sensor. Stay within 6 metres of the appliance.

8. Technical data

DVD player

Parameter	Value
Voltage	12 V _{DC}
Input voltage	100 ~ 240 V _{AC} / 50 ~ 60 Hz
Power consumption	< 10 W
Max. power output	2 x 1 W (RMS)
USB connection	USB 2.0 compatible
Flash memory connection	SD/MMC/MS
Dimensions (W x H x D)	190 x 39 x 250 mm
Weight	940 g

Disc output

Parameter	Value
Laser type	Semiconductor
Signal/noise ratio	> 80 dB
Wow and flutter	Below the limit of the appliance
Frequency response	20 Hz - 20 kHz (1 dB)
TV system	PAL/NTSC
Region code	2

Output Terminals

Parameter	Value
Analog audio	1,4 V _{rms} (1 kHz, 0 dB)

Battery pack

Parameter	Value
Voltage	7.4 V _{DC} , 900 mAh
Charging duration	3 - 4 h

Remote control

Parameter	Value
Battery size	CR2025

Supported media formats

Parameter	Value
Disc types	DVD / DVD+R(W) / DVD-R(W) / (S)VCD / CD / CD-R(W)
Picture formats	JPEG / Kodak Picture CD
Video formats	MPEG1, MPEG2, MPEG4, AVI, Xvid
Audio formats	MPEG1 Layer I, II, III PCM Dolby Digital, MP3

Working environment

Parameter	Value
Operating temperature	5 - 35 °C
Relative humidity	5 - 90 %

9. Disposal of used electrical and electronic equipment



The meaning of the symbol on the material, its accessory or packaging indicates that this product shall not be treated as household waste. Please, dispose of this equipment at your applicable collection point for the recycling of electrical and electronic equipments waste. In the European Union and Other European countries which there are separate collection systems for used electrical and electronic product. By ensuring the correct disposal of this product, you will help prevent potentially hazardous to the environment and to human health, which could otherwise be caused by unsuitable waste handling of this product. The recycling of materials will help conserve natural resources. Please do not therefore dispose of your old electrical and electronic equipment with your household waste.

For more detailed information about recycling of this product, please contact your local city office, your household waste disposal service or the shop where you purchased the product.

For more information and warranty conditions, please visit: www.akai.eu