

AKAI

World receiver



User manual

Gebruiksaanwijzing

Manuel de l'utilisateur

Manual de instrucciones

Gebrauchsanleitung

Οδηγίες χρήσεως

Brugsanvisning

GB 2

NL 15

FR 29

ES 43

DE 56

EL 70

DA 84

Table of contents

1.	Safety	3
	1.1 Intended use	3
	1.2 General safety instructions	3
2.	Preparations for use	3
	2.1 Unpacking	3
	2.2 Package contents	4
3.	Installation	4
	3.1 Battery power	5
	3.2 Mains power	5
4.	Functions	6
	4.1 World band radio	6
5.	Operation	7
	5.1 General functions	7
	5.2 Radio functions	8
	5.3 Clock functions	10
	5.4 Alarm function	11
	5.5 Using the SLEEP function	11
	5.6 Resetting the appliance	12
6.	Cleaning and maintenance	12
7.	Troubleshooting	12
8.	Technical data	13
9.	Disposal of used electrical and electronic equipment	14

Copyright notice

Design and specifications are subject to change without notice.

1. Safety

1.1 Intended use

The world band radio plays music from radio stations all over the world. The clock function includes an alarm and sleep program. Read the manual carefully before the first use.

1.2 General safety instructions

**WARNING**

Do not put force on the appliance. The appliance can fall and can cause serious injury.

**CAUTION**

Do not spill any liquid on the appliance.

**WARNING**

Do not insert any objects in the ventilation holes.

**CAUTION**

Do not block the ventilation holes.

2. Preparations for use

2.1 Unpacking

- Unpack the appliance carefully.
- Check the package contents as described below. If any item is missing, please contact your reseller.
- Remove the labels from the front panel carefully if present.



We recommend that you retain the original carton and packing materials in case it ever becomes necessary to return your product for service. This is the only way to safely protect the product against damage in transit. If you do dispose of the carton and the packing materials, please remember to recycle with due care to the environment.

2.2 Package contents

The following items are included in the received package:

- 1 World band radio
- 1 In-ear headphone
- 1 Carrying bag
- 1 Operator manual



If any item is missing, please contact your reseller.

3. Installation

- Put the appliance on a horizontal flat surface.
- Connect the appliance to a power source.
Read the paragraph "Connecting to a power source".
 - Install batteries: Read the paragraph "Battery power".
 - Connecting to the mains: Read the paragraph "Mains power".



CAUTION

- Do not put the appliance near a heat source.
- Do not expose the appliance to direct sunlight.

3.1 Battery power

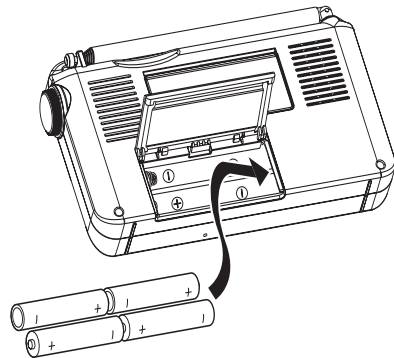
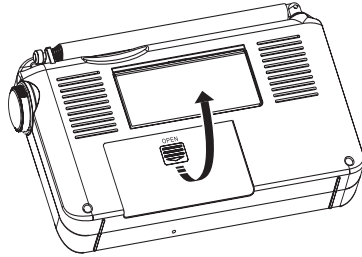
The appliance can be operated on battery power. For this purpose, the appliance uses four batteries (size AA).



- Batteries are not included with this appliance.
- Batteries are not necessary for normal operation.

Install batteries

- Remove the battery cover.
- Insert the batteries matching the (+) and (-) polarity markings.
- Re-install the battery cover.



CAUTION

Incorrect installation can cause battery leakage and corrosion which will damage the appliance. Corrosion, oxidation, battery leakage and any other gradually acidic defect of this nature will invalidate the guarantee.

3.2 Mains power

The appliance can also be operated on mains power. For this connection an AC/DC adaptor + cable has to be used.



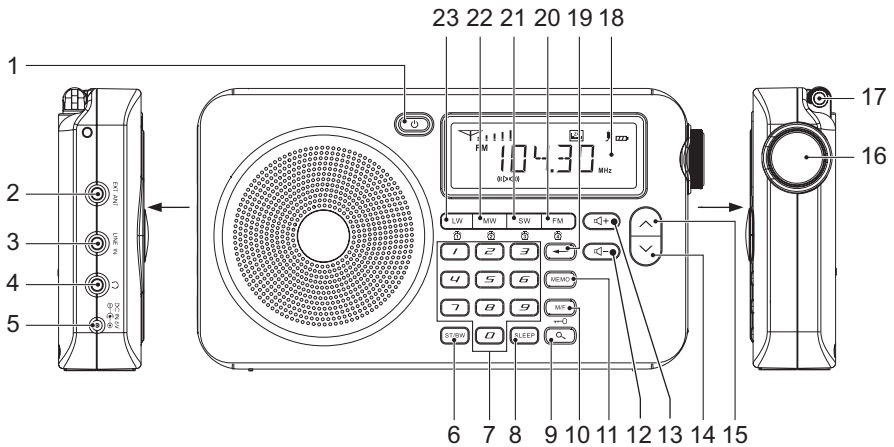
The AC/DC adaptor + cable is not supplied with the appliance.

Connecting to the mains

- Connect the adaptor plug of the adaptor cable to the DC IN 6V connection in the appliance.
- Connect the mains plug to a wall socket.

4. Functions

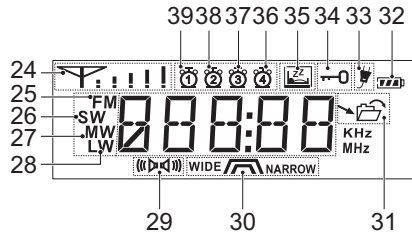
4.1 World band radio



- | | |
|-----------------------|-------------------------|
| 1 ON/OFF button | 13 VOLUME UP button |
| 2 EXT ANT jack | 14 SEARCH DOWN button |
| 3 LINE IN jack | 15 SEARCH UP button |
| 4 Headphone jack | 16 Multifunctional dial |
| 5 DC IN 6V jack | 17 FM antenna |
| 6 ST/BW button | 18 Display |
| 7 Digit buttons | 19 RETURN button |
| 8 SLEEP button | 20 FM/AL4 button |
| 9 SCAN button | 21 SW/AL3 button |
| 10 MEMO/LOCK button | 22 MW/AL2 button |
| 11 PROGRAM button | 23 LW/AL1 button |
| 12 VOLUME DOWN button | |

Display

- 24 Radio reception symbol
- 25 FM indicator
- 26 SW indicator
- 27 MW indicator
- 28 LW indicator
- 29 FM stereo indicator
- 30 MW/SW/LW band indicator
- 31 Preset station indicator
- 32 Battery charge indicator
- 33 Mains connect indicator
- 34 Function lock indicator
- 35 SLEEP indicator
- 36 AL1 indicator
- 37 AL2 indicator
- 38 AL3 indicator
- 39 AL4 indicator



5. Operation

5.1 General functions

- To switch on the appliance, press the ON/OFF button (1). To switch off the appliance, press the ON/OFF button (1) again.
- To switch on the appliance in sleep mode, repeatedly press the SLEEP button (8) until the indicator (35) is off.
- To adjust the volume, press the VOLUME UP button (13) or the VOLUME DOWN button (12).
- To lock the function buttons, press and hold the MEMO/LOCK button (10) for a few seconds. The indicator (34) appears on the display. To unlock the function buttons, repeat the operation once again.
- To connect an external audio device, insert the cable plug in the LINE IN jack (3).
- To connect a headphone, insert the cable plug in the headphone jack (4). To prevent hearing damage, remember to adjust the volume to a comfortable level.

5.2 Radio functions

- To select the radio band, press the corresponding button.
 - Press the FM button (20) to select the FM band.
 - Press the SW button (21) to select the SW band.
 - Press the MW button (22) to select the MW band.
 - Press the LW button (23) to select the LW band.
- To tune to the station of your choice, press the MEMO/LOCK button (10), then enter the frequency using the digit buttons (7). Do not enter the decimal point in the frequency.
- To delete a wrongly entered number, press the RETURN button (19).



If the frequency entered is beyond the range, the error symbol (Err) appears on the display.



- To improve the reception of the FM frequency, extend the aerial antenna.
- You can further improve reception of the FM/SW signal by connecting an external antenna. To connect an external antenna, insert the cable plug in the EXT ANT jack (2).

Searching for radio stations

- To search for a specific frequency, press the SEARCH UP button (15) or the SEARCH DOWN button (14) repeatedly until the desired frequency is set.
- To search automatically, press and hold the SEARCH UP button (15) or the SEARCH DOWN button (14). The appliance searches for the next available station.
- To adjust the reception level, turn the dial (16) until the desired level is set.

Using the PROGRAM function

- To program frequencies as a preset station manually, press the PROGRAM button (11) during radio playback. The indicator (31) flashes on the display.
- Press the digit buttons (7) to enter the preset number. Alternatively, use the dial (16), or use the SEARCH UP button (15) or the SEARCH DOWN button (14), to select the preset number.
- Press the PROGRAM button (11) to confirm the selection.

Using the ATS (AUTO SEEK) function

To perform an automatic search for preset radio stations, use the AUTO SEEK function (9).

- Short press to search for all stations on the current band and stay on each station for about 5 seconds. To store the station:
 - Press the MEMO/LOCK button (10) twice to enter storage mode.
 - Press the digit buttons (7) to enter the preset number. Alternatively, use the dial (16), or use the SEARCH UP button (15) or the SEARCH DOWN button (14), to select the preset number.
 - Press the MEMO/LOCK button (10) twice again to complete the storage application.
- Long press to save the stations with good reception automatically and scan each station for about 5 seconds.

Selecting preset radio stations

- Press the MEMO/LOCK button (10). The indicator (31) flashes on the display.
- Press the digit buttons (7) to enter the preset number. Alternatively, use the dial (16) to select the preset number.
- Press the SEARCH UP button (15) to confirm the selection.

Using the SCAN function

- Press the MEMO/LOCK button (10). The indicator (31) flashes on the display.
- To perform an automatic scan of preset radio stations, use the SCAN function (9). Press to scan all preset stations in the memory of the current band and stay on each memory station for about 8 seconds.
- Press any button to exit this function.

FM radio reception

- To switch between Mono and Stereo reception, press the ST/BW button (6). In the case of a weak FM signal, the audio quality can be improved by selecting this mode.

MW/SW/LW radio reception

- To switch between wide and narrow band, press the ST/BW button (6).
 - Wide band: to improve the sound quality of a radio station with a strong signal or a local radio station.
 - Narrow band: to improve the reception of radio stations with a weak signal.

MW radio reception

The frequency step required for tuning to stations broadcasting from Europe, Africa and China is 9 kHz. The frequency step required for tuning to stations broadcasting from USA and Canada is 10 kHz.

- Switch off the appliance.
- Press the ST/BW button (6). The current frequency step appears on the display.
- Press the ST/BW button (6) again to change the setting.

5.3 Clock functions

With the clock function, the following parameters can be set:

- current time
- alarm time

Setting the current time

- Switch off the appliance.
- Press the PROGRAM button (11) once. The display (18) shows the time and flashes.
- Press the SEARCH UP button (15) to set the hour.
- Press the SEARCH DOWN button (14) to set the minutes.
- Press the PROGRAM button (11) to store the settings and exit.

Setting the alarm time

Four time slots are available (AL1, AL2, AL3 and AL4).

- Switch off the appliance.
- Select the required time slot:
 - To select AL1, press the corresponding button (23). The alarm icon (39) appears on the display.
 - To select AL2, press the corresponding button (22). The alarm icon (38) appears on the display.
 - To select AL3, press the corresponding button (21). The alarm icon (37) appears on the display.
 - To select AL4, press the corresponding button (20). The alarm icon (36) appears on the display.
- Press the SEARCH UP button (15) to set the hour.
- Press the SEARCH DOWN button (14) to set the minutes.
- Press the alarm button again to confirm.

5.4 Alarm function

Activating the alarm

- Select the required time slot:
 - To select AL1, press the corresponding button (23). The alarm icon (39) appears on the display.
 - To select AL2, press the corresponding button (22). The alarm icon (38) appears on the display.
 - To select AL3, press the corresponding button (21). The alarm icon (37) appears on the display.
 - To select AL4, press the corresponding button (20). The alarm icon (36) appears on the display.
- To cancel the alarm, press the alarm button once again.

Snooze alarm

- To snooze the alarm, press any button except the ON/OFF button (1). The alarm sounds again after the snooze time has elapsed.
- To stop the alarm, press the ON/OFF button (1). The alarm is automatically set for the next day.

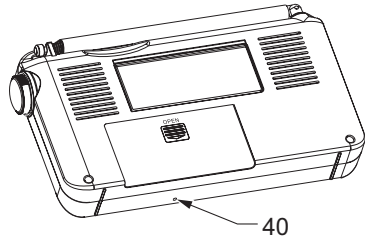
5.5 Using the SLEEP function

The default sleep time is: 90 minutes.

- To activate the SLEEP function, press the SLEEP button (8).
- To set the sleep timer (90, 80 ... 0), repeatedly press the SLEEP button (8). The appliance stops playing after the chosen time has elapsed.
- To check the remaining time, press the SLEEP button (8).
- To cancel the SLEEP function, press the SLEEP button (8) or the ON/OFF button (1).

5.6 Resetting the appliance

- To restore the default settings of the appliance, press the RESET button (40) using a pointed object.



6. Cleaning and maintenance



WARNING

Before performing any cleaning or maintenance, switch off and unplug the appliance.

- Clean the outside of the appliance with a soft cloth. When the appliance is very dirty, dampen the cloth slightly with water and a neutral solution.

7. Troubleshooting

Trouble	Action
No display	Switch on the appliance. Connect the appliance properly.
No sound	Connect the appliance properly. Adjust the volume. Adjust the tuning control.

8. Technical data

Parameter	Value
Voltage	6 V _{DC}
Input voltage	100 ~ 240 V _{AC} / 50 ~ 60 Hz
Power consumption	100 mW
Max power output	260 mW
Radio bands	FM/LW/MW/SW
Dimensions (W x H x D)	175 x 97 x 30 mm
Weight	253 g

Battery power

Parameter	Value
Power consumption	4 x 1.5 V
Battery size	AA

Frequency range

Parameter	Value
FM radio	76.0 - 108.0 mHz
LW radio	150 - 519 kHz
MW radio	522 - 1620 kHz (9 kHz) 520 - 1710 kHz (10kHz)
SW radio	3000 - 21850 kHz

Frequency range (SW meter band)

Parameter	Value
13 m	21450 - 21850 kHz
16 m	17550 - 17900 kHz
19 m	15100 - 15600 kHz
22 m	13600 - 13800 kHz
25 m	11650 - 12050 kHz
31 m	95000 - 99000 kHz
41 m	70000 - 73000 kHz
49 m	59500 - 62000 kHz
60 m	47500 - 50600 kHz
75 m	39000 - 40000 kHz
90 m	31000 - 34000 kHz

Memory storage capacity

Parameter	Value
FM radio	200 stations
LW radio	100 stations
MW radio	100 stations
SW radio	200 stations

9. Disposal of used electrical and electronic equipment



The meaning of the symbol on the material, its accessory or packaging indicates that this product shall not be treated as household waste. Please, dispose of this equipment at your applicable collection point for the recycling of electrical and electronic equipments waste. In the European Union and Other European countries which there are separate collection systems for used electrical and electronic product. By ensuring the correct disposal of this product, you will help prevent potentially hazardous to the environment and to human health, which could otherwise be caused by unsuitable waste handling of this product. The recycling of materials will help conserve natural resources. Please do not therefore dispose of your old electrical and electronic equipment with your household waste.

For more detailed information about recycling of this product, please contact your local city office, your household waste disposal service or the shop where you purchased the product.

For more information and warranty conditions, please visit: www.akai.eu